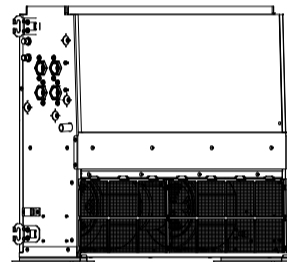
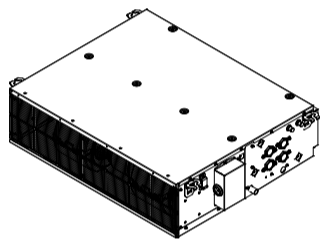




Installation manual

Fan coil units



FWE03D
FWE04D
FWE05D
FWE06D
FWE07D
FWE08D
FWE10D
FWE11D

Installation manual Fan coil units	English
Installationsanleitung Ventilator-Konvektoren	Deutsch
Manuel d'installation Ventilo-convecteurs	Français
Montagehandleiding Ventilo-convectoren	Nederlands
Manual de instalación Unidades fan coil	Español
Manuale d'installazione Ventilconvettori	Italiano
Εγχειρίδιο εγκατάστασης Κλιματιστικές μονάδες	Ελληνικά
Manual de instalação Ventilo-convectores	Portugues
Руководство по монтажу Фанкойлы	русский
Montaj kılavuzu Fan coil üniteleri	Türkçe
Szerelési kézikönyv Klímakonvektor egységek	Magyar

CE - DECLARACION DE CONFORMIDAD
CE - KONFORMITÄTSEKLERING
CE - DICHIARAZIONE DI CONFORMITÀ
CE - ДИКАРЭЦІЯ ПРА КАНФОРМНАСЦІ
CE - DECLARATION DE CONFORMITE
CE - CONFORMITEITSVERKLARING

CE - DECLARACION DE CONFORMIDAD
CE - ЗАБЯВЛЕНИЕ О СООТВЕТСТВИИ
CE - DEKLARACJA O WSPÓLNOŚCI
CE - FORSKÄRAN OM ÖVERENSSTÄMMELSE

CE - ERKLÆRING OM SAMSVAR
CE - ILMOITUS Yhteistyökeskustelu
CE - PROHLÁŠENÍ SHODY
CE - DECLARATIE DE CONFORMITATE

CE - IZJAVA O SKLADNOSTI
CE - VASTAVUSDEKLARACIJA
CE - VYHLÁŠENIE SHODY
CE - UYGUNLUK BEYANI

CE - IZJAVA O SKLADNOSTI
CE - VASTAVUSDEKLARACIJA
CE - VYHLÁŠENIE SHODY
CE - UYGUNLUK BEYANI

CE - IZJAVA O SKLADNOSTI
CE - VASTAVUSDEKLARACIJA
CE - VYHLÁŠENIE SHODY
CE - UYGUNLUK BEYANI

Daikin Europe N.V.

- 01 000 declares under its sole responsibility that the air conditioning models to which this declaration relates;
- 02 000 erklärt auf seine alleinige Verantwortung die Modelle der Klimaanlage für die diese Erklärung bestimmt ist;
- 03 000 déclare sous sa seule responsabilité que les appareils d'air conditionné visés par la présente déclaration;
- 04 000 verklaart hierop op eigen exclusieve verantwoordelijkheid dat de airconditioning units waarop deze verklaring betrekking heeft;
- 05 000 deklara bajo su única responsabilidad que los modelos de aire acondicionado a los cuales hace referencia la declaración;
- 06 000 deklara sotto sua responsabilità che i condizionatori modello a cui è riferita questa dichiarazione;
- 07 000 объявляет по своей исключительной ответственности, что модели климатических устройств, к которым относится данная декларация, соответствуют требованиям;
- 08 000 deklara sob sua exclusiva responsabilidade que os modelos de ar condicionado a que esta declaração se refere;

- 09 000 заверяет, исключительно под свою ответственность, что модели кондиционеров воздуха, к которым относится настоящее заявление;
- 10 000 erklærer under egen ansvar, at klimaanlegsmødelene, som denne erklæring vedrører;
- 11 000 erklæser i egen skap av helseansvarlig, at luftkondisjoningsmodellene som berøres av denne erklæring innehar et;
- 12 000 erklærer et tillstånd avseende av de luftkonditioneringsmodellerna som berörs av denna deklaration, innebärande att;
- 13 000 imottaa yksinomaan oman vastuun, että läänin ilmoituksen tarkoitettujen ilmastointilaitteiden mallit;
- 14 000 prohlásuje ve své plné odpovědnosti, že modely klimatizace, k nimž se toto prohlášení vztahuje;
- 15 000 izjavlja po svojemu izključnemu odgovornosti, da su modeli klima uređaja na koje se ova izjava odnosi;
- 16 000 teljes felelősséggel tudatában kijelenti, hogy a klímaberendezés modellek, melyekre e nyilatkozat vonatkozik;

- 17 000 deklarije na vlastnu odgovornost, da modelle klimatizatorov, katerih dolžnost nina tega deklaracija;
- 18 000 deklarije po propre odgovornosti da aparatele de aer conditionat la care se referă această declarație;
- 19 000 z vse odgovornosti izjavlja, da so modeli klimatskih naprav, na katere se izjava nanaša;
- 20 000 knižlivo ograđuje odgovornost za deklaraciju, da su modeli klimatskih naprava, na katere se izjava nanaša;
- 21 000 demapira na owni odgovornost, et klimateeride deklaratsioonid ei kuuluvad klimateerimisele mudelid;
- 22 000 demapira na owni odgovornost, et klimateeride deklaratsioonid ei kuuluvad klimateerimisele mudelid;
- 23 000 väskä suo ainoastaan itsenäisesti, että o-rokonditioningimallit, joihin tämä julistus liittyy, kuuluvat ilmastointimallien ulkopuolelle;
- 24 000 ar piniu abidatni apriera, na taku, uskaatillo modely, gusa konicioronolaji, uz kuriem atbezas ši deklaracija;
- 25 000 vyhlásuje na vlastnu zodpovednosť, že tieto klimatizačné modely, na ktoré sa vzťahuje táto vyhlásenie;
- 26 000 taramein kendi sorumluluğunda otmak üzere bu bildirimimi ilgili iklim modellemlerim ilgili olarak gni okuyununu beyan eder;

FWE03DATN5V3-L/R, FWE04DATN5V3-L/R, FWE05DATN5V3-L/R, FWE06DATN5V3-L/R, FWE07DATN5V3-L/R, FWE08DATN5V3-L/R, FWE09DATN5V3-L/R, FWE10DATN5V3-L/R, FWE11DATN5V3-L/R, FWE12DATN5V3-L/R, FWE13DATN5V3-L/R, FWE14DATN5V3-L/R, FWE15DATN5V3-L/R, FWE16DATN5V3-L/R, FWE17DATN5V3-L/R, FWE18DATN5V3-L/R, FWE19DATN5V3-L/R, FWE20DATN5V3-L/R, FWE21DATN5V3-L/R, FWE22DATN5V3-L/R, FWE23DATN5V3-L/R, FWE24DATN5V3-L/R, FWE25DATN5V3-L/R, FWE26DATN5V3-L/R, FWE27DATN5V3-L/R, FWE28DATN5V3-L/R, FWE29DATN5V3-L/R, FWE30DATN5V3-L/R, FWE31DATN5V3-L/R, FWE32DATN5V3-L/R, FWE33DATN5V3-L/R, FWE34DATN5V3-L/R, FWE35DATN5V3-L/R, FWE36DATN5V3-L/R, FWE37DATN5V3-L/R, FWE38DATN5V3-L/R, FWE39DATN5V3-L/R, FWE40DATN5V3-L/R, FWE41DATN5V3-L/R, FWE42DATN5V3-L/R, FWE43DATN5V3-L/R, FWE44DATN5V3-L/R, FWE45DATN5V3-L/R, FWE46DATN5V3-L/R, FWE47DATN5V3-L/R, FWE48DATN5V3-L/R, FWE49DATN5V3-L/R, FWE50DATN5V3-L/R, FWE51DATN5V3-L/R, FWE52DATN5V3-L/R, FWE53DATN5V3-L/R, FWE54DATN5V3-L/R, FWE55DATN5V3-L/R, FWE56DATN5V3-L/R, FWE57DATN5V3-L/R, FWE58DATN5V3-L/R, FWE59DATN5V3-L/R, FWE60DATN5V3-L/R, FWE61DATN5V3-L/R, FWE62DATN5V3-L/R, FWE63DATN5V3-L/R, FWE64DATN5V3-L/R, FWE65DATN5V3-L/R, FWE66DATN5V3-L/R, FWE67DATN5V3-L/R, FWE68DATN5V3-L/R, FWE69DATN5V3-L/R, FWE70DATN5V3-L/R, FWE71DATN5V3-L/R, FWE72DATN5V3-L/R, FWE73DATN5V3-L/R, FWE74DATN5V3-L/R, FWE75DATN5V3-L/R, FWE76DATN5V3-L/R, FWE77DATN5V3-L/R, FWE78DATN5V3-L/R, FWE79DATN5V3-L/R, FWE80DATN5V3-L/R, FWE81DATN5V3-L/R, FWE82DATN5V3-L/R, FWE83DATN5V3-L/R, FWE84DATN5V3-L/R, FWE85DATN5V3-L/R, FWE86DATN5V3-L/R, FWE87DATN5V3-L/R, FWE88DATN5V3-L/R, FWE89DATN5V3-L/R, FWE90DATN5V3-L/R, FWE91DATN5V3-L/R, FWE92DATN5V3-L/R, FWE93DATN5V3-L/R, FWE94DATN5V3-L/R, FWE95DATN5V3-L/R, FWE96DATN5V3-L/R, FWE97DATN5V3-L/R, FWE98DATN5V3-L/R, FWE99DATN5V3-L/R, FWE00DATN5V3-L/R, FWE01DATN5V3-L/R, FWE02DATN5V3-L/R, FWE03DATN5V3-L/R, FWE04DATN5V3-L/R, FWE05DATN5V3-L/R, FWE06DATN5V3-L/R, FWE07DATN5V3-L/R, FWE08DATN5V3-L/R, FWE09DATN5V3-L/R, FWE10DATN5V3-L/R, FWE11DATN5V3-L/R, FWE12DATN5V3-L/R, FWE13DATN5V3-L/R, FWE14DATN5V3-L/R, FWE15DATN5V3-L/R, FWE16DATN5V3-L/R, FWE17DATN5V3-L/R, FWE18DATN5V3-L/R, FWE19DATN5V3-L/R, FWE20DATN5V3-L/R, FWE21DATN5V3-L/R, FWE22DATN5V3-L/R, FWE23DATN5V3-L/R, FWE24DATN5V3-L/R, FWE25DATN5V3-L/R, FWE26DATN5V3-L/R, FWE27DATN5V3-L/R, FWE28DATN5V3-L/R, FWE29DATN5V3-L/R, FWE30DATN5V3-L/R, FWE31DATN5V3-L/R, FWE32DATN5V3-L/R, FWE33DATN5V3-L/R, FWE34DATN5V3-L/R, FWE35DATN5V3-L/R, FWE36DATN5V3-L/R, FWE37DATN5V3-L/R, FWE38DATN5V3-L/R, FWE39DATN5V3-L/R, FWE40DATN5V3-L/R, FWE41DATN5V3-L/R, FWE42DATN5V3-L/R, FWE43DATN5V3-L/R, FWE44DATN5V3-L/R, FWE45DATN5V3-L/R, FWE46DATN5V3-L/R, FWE47DATN5V3-L/R, FWE48DATN5V3-L/R, FWE49DATN5V3-L/R, FWE50DATN5V3-L/R, FWE51DATN5V3-L/R, FWE52DATN5V3-L/R, FWE53DATN5V3-L/R, FWE54DATN5V3-L/R, FWE55DATN5V3-L/R, FWE56DATN5V3-L/R, FWE57DATN5V3-L/R, FWE58DATN5V3-L/R, FWE59DATN5V3-L/R, FWE60DATN5V3-L/R, FWE61DATN5V3-L/R, FWE62DATN5V3-L/R, FWE63DATN5V3-L/R, FWE64DATN5V3-L/R, FWE65DATN5V3-L/R, FWE66DATN5V3-L/R, FWE67DATN5V3-L/R, FWE68DATN5V3-L/R, FWE69DATN5V3-L/R, FWE70DATN5V3-L/R, FWE71DATN5V3-L/R, FWE72DATN5V3-L/R, FWE73DATN5V3-L/R, FWE74DATN5V3-L/R, FWE75DATN5V3-L/R, FWE76DATN5V3-L/R, FWE77DATN5V3-L/R, FWE78DATN5V3-L/R, FWE79DATN5V3-L/R, FWE80DATN5V3-L/R, FWE81DATN5V3-L/R, FWE82DATN5V3-L/R, FWE83DATN5V3-L/R, FWE84DATN5V3-L/R, FWE85DATN5V3-L/R, FWE86DATN5V3-L/R, FWE87DATN5V3-L/R, FWE88DATN5V3-L/R, FWE89DATN5V3-L/R, FWE90DATN5V3-L/R, FWE91DATN5V3-L/R, FWE92DATN5V3-L/R, FWE93DATN5V3-L/R, FWE94DATN5V3-L/R, FWE95DATN5V3-L/R, FWE96DATN5V3-L/R, FWE97DATN5V3-L/R, FWE98DATN5V3-L/R, FWE99DATN5V3-L/R, FWE00DATN5V3-L/R, FWE01DATN5V3-L/R, FWE02DATN5V3-L/R, FWE03DATN5V3-L/R, FWE04DATN5V3-L/R, FWE05DATN5V3-L/R, FWE06DATN5V3-L/R, FWE07DATN5V3-L/R, FWE08DATN5V3-L/R, FWE09DATN5V3-L/R, FWE10DATN5V3-L/R, FWE11DATN5V3-L/R, FWE12DATN5V3-L/R, FWE13DATN5V3-L/R, FWE14DATN5V3-L/R, FWE15DATN5V3-L/R, FWE16DATN5V3-L/R, FWE17DATN5V3-L/R, FWE18DATN5V3-L/R, FWE19DATN5V3-L/R, FWE20DATN5V3-L/R, FWE21DATN5V3-L/R, FWE22DATN5V3-L/R, FWE23DATN5V3-L/R, FWE24DATN5V3-L/R, FWE25DATN5V3-L/R, FWE26DATN5V3-L/R, FWE27DATN5V3-L/R, FWE28DATN5V3-L/R, FWE29DATN5V3-L/R, FWE30DATN5V3-L/R, FWE31DATN5V3-L/R, FWE32DATN5V3-L/R, FWE33DATN5V3-L/R, FWE34DATN5V3-L/R, FWE35DATN5V3-L/R, FWE36DATN5V3-L/R, FWE37DATN5V3-L/R, FWE38DATN5V3-L/R, FWE39DATN5V3-L/R, FWE40DATN5V3-L/R, FWE41DATN5V3-L/R, FWE42DATN5V3-L/R, FWE43DATN5V3-L/R, FWE44DATN5V3-L/R, FWE45DATN5V3-L/R, FWE46DATN5V3-L/R, FWE47DATN5V3-L/R, FWE48DATN5V3-L/R, FWE49DATN5V3-L/R, FWE50DATN5V3-L/R, FWE51DATN5V3-L/R, FWE52DATN5V3-L/R, FWE53DATN5V3-L/R, FWE54DATN5V3-L/R, FWE55DATN5V3-L/R, FWE56DATN5V3-L/R, FWE57DATN5V3-L/R, FWE58DATN5V3-L/R, FWE59DATN5V3-L/R, FWE60DATN5V3-L/R, FWE61DATN5V3-L/R, FWE62DATN5V3-L/R, FWE63DATN5V3-L/R, FWE64DATN5V3-L/R, FWE65DATN5V3-L/R, FWE66DATN5V3-L/R, FWE67DATN5V3-L/R, FWE68DATN5V3-L/R, FWE69DATN5V3-L/R, FWE70DATN5V3-L/R, FWE71DATN5V3-L/R, FWE72DATN5V3-L/R, FWE73DATN5V3-L/R, FWE74DATN5V3-L/R, FWE75DATN5V3-L/R, FWE76DATN5V3-L/R, FWE77DATN5V3-L/R, FWE78DATN5V3-L/R, FWE79DATN5V3-L/R, FWE80DATN5V3-L/R, FWE81DATN5V3-L/R, FWE82DATN5V3-L/R, FWE83DATN5V3-L/R, FWE84DATN5V3-L/R, FWE85DATN5V3-L/R, FWE86DATN5V3-L/R, FWE87DATN5V3-L/R, FWE88DATN5V3-L/R, FWE89DATN5V3-L/R, FWE90DATN5V3-L/R, FWE91DATN5V3-L/R, FWE92DATN5V3-L/R, FWE93DATN5V3-L/R, FWE94DATN5V3-L/R, FWE95DATN5V3-L/R, FWE96DATN5V3-L/R, FWE97DATN5V3-L/R, FWE98DATN5V3-L/R, FWE99DATN5V3-L/R, FWE00DATN5V3-L/R, FWE01DATN5V3-L/R, FWE02DATN5V3-L/R, FWE03DATN5V3-L/R, FWE04DATN5V3-L/R, FWE05DATN5V3-L/R, FWE06DATN5V3-L/R, FWE07DATN5V3-L/R, FWE08DATN5V3-L/R, FWE09DATN5V3-L/R, FWE10DATN5V3-L/R, FWE11DATN5V3-L/R, FWE12DATN5V3-L/R, FWE13DATN5V3-L/R, FWE14DATN5V3-L/R, FWE15DATN5V3-L/R, FWE16DATN5V3-L/R, FWE17DATN5V3-L/R, FWE18DATN5V3-L/R, FWE19DATN5V3-L/R, FWE20DATN5V3-L/R, FWE21DATN5V3-L/R, FWE22DATN5V3-L/R, FWE23DATN5V3-L/R, FWE24DATN5V3-L/R, FWE25DATN5V3-L/R, FWE26DATN5V3-L/R, FWE27DATN5V3-L/R, FWE28DATN5V3-L/R, FWE29DATN5V3-L/R, FWE30DATN5V3-L/R, FWE31DATN5V3-L/R, FWE32DATN5V3-L/R, FWE33DATN5V3-L/R, FWE34DATN5V3-L/R, FWE35DATN5V3-L/R, FWE36DATN5V3-L/R, FWE37DATN5V3-L/R, FWE38DATN5V3-L/R, FWE39DATN5V3-L/R, FWE40DATN5V3-L/R, FWE41DATN5V3-L/R, FWE42DATN5V3-L/R, FWE43DATN5V3-L/R, FWE44DATN5V3-L/R, FWE45DATN5V3-L/R, FWE46DATN5V3-L/R, FWE47DATN5V3-L/R, FWE48DATN5V3-L/R, FWE49DATN5V3-L/R, FWE50DATN5V3-L/R, FWE51DATN5V3-L/R, FWE52DATN5V3-L/R, FWE53DATN5V3-L/R, FWE54DATN5V3-L/R, FWE55DATN5V3-L/R, FWE56DATN5V3-L/R, FWE57DATN5V3-L/R, FWE58DATN5V3-L/R, FWE59DATN5V3-L/R, FWE60DATN5V3-L/R, FWE61DATN5V3-L/R, FWE62DATN5V3-L/R, FWE63DATN5V3-L/R, FWE64DATN5V3-L/R, FWE65DATN5V3-L/R, FWE66DATN5V3-L/R, FWE67DATN5V3-L/R, FWE68DATN5V3-L/R, FWE69DATN5V3-L/R, FWE70DATN5V3-L/R, FWE71DATN5V3-L/R, FWE72DATN5V3-L/R, FWE73DATN5V3-L/R, FWE74DATN5V3-L/R, FWE75DATN5V3-L/R, FWE76DATN5V3-L/R, FWE77DATN5V3-L/R, FWE78DATN5V3-L/R, FWE79DATN5V3-L/R, FWE80DATN5V3-L/R, FWE81DATN5V3-L/R, FWE82DATN5V3-L/R, FWE83DATN5V3-L/R, FWE84DATN5V3-L/R, FWE85DATN5V3-L/R, FWE86DATN5V3-L/R, FWE87DATN5V3-L/R, FWE88DATN5V3-L/R, FWE89DATN5V3-L/R, FWE90DATN5V3-L/R, FWE91DATN5V3-L/R, FWE92DATN5V3-L/R, FWE93DATN5V3-L/R, FWE94DATN5V3-L/R, FWE95DATN5V3-L/R, FWE96DATN5V3-L/R, FWE97DATN5V3-L/R, FWE98DATN5V3-L/R, FWE99DATN5V3-L/R, FWE00DATN5V3-L/R, FWE01DATN5V3-L/R, FWE02DATN5V3-L/R, FWE03DATN5V3-L/R, FWE04DATN5V3-L/R, FWE05DATN5V3-L/R, FWE06DATN5V3-L/R, FWE07DATN5V3-L/R, FWE08DATN5V3-L/R, FWE09DATN5V3-L/R, FWE10DATN5V3-L/R, FWE11DATN5V3-L/R, FWE12DATN5V3-L/R, FWE13DATN5V3-L/R, FWE14DATN5V3-L/R, FWE15DATN5V3-L/R, FWE16DATN5V3-L/R, FWE17DATN5V3-L/R, FWE18DATN5V3-L/R, FWE19DATN5V3-L/R, FWE20DATN5V3-L/R, FWE21DATN5V3-L/R, FWE22DATN5V3-L/R, FWE23DATN5V3-L/R, FWE24DATN5V3-L/R, FWE25DATN5V3-L/R, FWE26DATN5V3-L/R, FWE27DATN5V3-L/R, FWE28DATN5V3-L/R, FWE29DATN5V3-L/R, FWE30DATN5V3-L/R, FWE31DATN5V3-L/R, FWE32DATN5V3-L/R, FWE33DATN5V3-L/R, FWE34DATN5V3-L/R, FWE35DATN5V3-L/R, FWE36DATN5V3-L/R, FWE37DATN5V3-L/R, FWE38DATN5V3-L/R, FWE39DATN5V3-L/R, FWE40DATN5V3-L/R, FWE41DATN5V3-L/R, FWE42DATN5V3-L/R, FWE43DATN5V3-L/R, FWE44DATN5V3-L/R, FWE45DATN5V3-L/R, FWE46DATN5V3-L/R, FWE47DATN5V3-L/R, FWE48DATN5V3-L/R, FWE49DATN5V3-L/R, FWE50DATN5V3-L/R, FWE51DATN5V3-L/R, FWE52DATN5V3-L/R, FWE53DATN5V3-L/R, FWE54DATN5V3-L/R, FWE55DATN5V3-L/R, FWE56DATN5V3-L/R, FWE57DATN5V3-L/R, FWE58DATN5V3-L/R, FWE59DATN5V3-L/R, FWE60DATN5V3-L/R, FWE61DATN5V3-L/R, FWE62DATN5V3-L/R, FWE63DATN5V3-L/R, FWE64DATN5V3-L/R, FWE65DATN5V3-L/R, FWE66DATN5V3-L/R, FWE67DATN5V3-L/R, FWE68DATN5V3-L/R, FWE69DATN5V3-L/R, FWE70DATN5V3-L/R, FWE71DATN5V3-L/R, FWE72DATN5V3-L/R, FWE73DATN5V3-L/R, FWE74DATN5V3-L/R, FWE75DATN5V3-L/R, FWE76DATN5V3-L/R, FWE77DATN5V3-L/R, FWE78DATN5V3-L/R, FWE79DATN5V3-L/R, FWE80DATN5V3-L/R, FWE81DATN5V3-L/R, FWE82DATN5V3-L/R, FWE83DATN5V3-L/R, FWE84DATN5V3-L/R, FWE85DATN5V3-L/R, FWE86DATN5V3-L/R, FWE87DATN5V3-L/R, FWE88DATN5V3-L/R, FWE89DATN5V3-L/R, FWE90DATN5V3-L/R, FWE91DATN5V3-L/R, FWE92DATN5V3-L/R, FWE93DATN5V3-L/R, FWE94DATN5V3-L/R, FWE95DATN5V3-L/R, FWE96DATN5V3-L/R, FWE97DATN5V3-L/R, FWE98DATN5V3-L/R, FWE99DATN5V3-L/R, FWE00DATN5V3-L/R, FWE01DATN5V3-L/R, FWE02DATN5V3-L/R, FWE03DATN5V3-L/R, FWE04DATN5V3-L/R, FWE05DATN5V3-L/R, FWE06DATN5V3-L/R, FWE07DATN5V3-L/R, FWE08DATN5V3-L/R, FWE09DATN5V3-L/R, FWE10DATN5V3-L/R, FWE11DATN5V3-L/R, FWE12DATN5V3-L/R, FWE13DATN5V3-L/R, FWE14DATN5V3-L/R, FWE15DATN5V3-L/R, FWE16DATN5V3-L/R, FWE17DATN5V3-L/R, FWE18DATN5V3-L/R, FWE19DATN5V3-L/R, FWE20DATN5V3-L/R, FWE21DATN5V3-L/R, FWE22DATN5V3-L/R, FWE23DATN5V3-L/R, FWE24DATN5V3-L/R, FWE25DATN5V3-L/R, FWE26DATN5V3-L/R, FWE27DATN5V3-L/R, FWE28DATN5V3-L/R, FWE29DATN5V3-L/R, FWE30DATN5V3-L/R, FWE31DATN5V3-L/R, FWE32DATN5V3-L/R, FWE33DATN5V3-L/R, FWE34DATN5V3-L/R, FWE35DATN5V3-L/R, FWE36DATN5V3-L/R, FWE37DATN5V3-L/R, FWE38DATN5V3-L/R, FWE39DATN5V3-L/R, FWE40DATN5V3-L/R, FWE41DATN5V3-L/R, FWE42DATN5V3-L/R, FWE43DATN5V3-L/R, FWE44DATN5V3-L/R, FWE45DATN5V3-L/R, FWE46DATN5V3-L/R, FWE47DATN5V3-L/R, FWE48DATN5V3-L/R, FWE49DATN5V3-L/R, FWE50DATN5V3-L/R, FWE51DATN5V3-L/R, FWE52DATN5V3-L/R, FWE53DATN5V3-L/R, FWE54DATN5V3-L/R, FWE55DATN5V3-L/R, FWE56DATN5V3-L/R, FWE57DATN5V3-L/R, FWE58DATN5V3-L/R, FWE59DATN5V3-L/R, FWE60DATN5V3-L/R, FWE61DATN5V3-L/R, FWE62DATN5V3-L/R, FWE63DATN5V3-L/R, FWE64DATN5V3-L/R, FWE65DATN5V3-L/R, FWE66DATN5V3-L/R, FWE67DATN5V3-L/R, FWE68DATN5V3-L/R, FWE69DATN5V3-L/R, FWE70DATN5V3-L/R, FWE71DATN5V3-L/R, FWE72DATN5V3-L/R, FWE73DATN5V3-L/R, FWE74DATN5V3-L/R, FWE75DATN5V3-L/R, FWE76DATN5V3-L/R, FWE77DATN5V3-L/R, FWE78DATN5V3-L/R, FWE79DATN5V3-L/R, FWE80DATN5V3-L/R, FWE81DATN5V3-L/R, FWE82DATN5V3-L/R, FWE83DATN5V3-L/R, FWE84DATN5V3-L/R, FWE85DATN5V3-L/R, FWE86DATN5V3-L/R, FWE87DATN5V3-L/R, FWE88DATN5V3-L/R, FWE89DATN5V3-L/R, FWE90DATN5V3-L/R, FWE91DATN5V3-L/R, FWE92DATN5V3-L/R, FWE93DATN5V3-L/R, FWE94DATN5V3-L/R, FWE95DATN5V3-L/R, FWE96DATN5V3-L/R, FWE97DATN5V3-L/R, FWE98DATN5V3-L/R, FWE99DATN5V3-L/R, FWE00DATN5V3-L/R, FWE01DATN5V3-L/R, FWE02DATN5V3-L/R, FWE03DATN5V3-L/R, FWE04DATN5V3-L/R, FWE05DATN5V3-L/R, FWE06DATN5V3-L/R, FWE07DATN5V3-L/R, FWE08DATN5V3-L/R, FWE09DATN5V3-L/R, FWE10DATN5V3-L/R, FWE11DATN5V3-L/R, FWE12DATN5V3-L/R, FWE13DATN5V3-L/R, FWE14DATN5V3-L/R, FWE15DATN5V3-L/R, FWE16DATN5V3-L/R, FWE17DATN5V3-L/R, FWE18DATN5V3-L/R, FWE19DATN5V3-L/R, FWE20DATN5V3-L/R, FWE21DATN5V3-L/R, FWE22DATN5V3-L/R, FWE23DATN5V3-L/R, FWE24DATN5V3-L/R, FWE25DATN5V3-L/R, FWE26DATN5V3-L/R, FWE27DATN5V3-L/R, FWE28DATN5V3-L/R, FWE29DATN5V3-L/R, FWE30DATN5V3-L/R, FWE31DATN5V3-L/R, FWE32DATN5V3-L/R, FWE33DATN5V3-L/R, FWE34DATN5V3-L/R, FWE35DATN5V3-L/R, FWE36DATN5V3-L/R, FWE37DATN5V3-L/R, FWE38DATN5V3-L/R, FWE39DATN5V3-L/R, FWE40DATN5V3-L/R, FWE41DATN5V3-L/R, FWE42DATN5V3-L/R, FWE43DATN5V3-L/R, FWE44DATN5V3-L/R, FWE45DATN5V3-L/R, FWE46DATN5V3-L/R, FWE47DATN5V3-L/R, FWE48DATN5V3-L/R, FWE49DATN5V3-L/R, FWE50DATN5V3-L/R, FWE51DATN5V3-L/R, FWE52DATN5V3-L/R, FWE53DATN5V3-L/R, FWE54DATN5V3-L/R, FWE55DATN5V3-L/R, FWE56DATN5V3-L/R, FWE57DATN5V3-L/R, FWE58DATN5V3-L/R, FWE59DATN5V3-L/R, FWE60DATN5V3-L/R, FWE61DATN5V3-L/R, FWE62DATN5V3-L/R, FWE63DATN5V3-L/R, FWE64DATN5V3-L/R, FWE65DATN5V3-L/R, FWE66DATN5V3-L/R, FWE67DATN5V3-L/R, FWE68DATN5V3-L/R, FWE69DATN5V3-L/R, FWE70DATN5V3-L/R, FWE71DATN5V3-L/R, FWE72DATN5V3-L/R, FWE73DATN5V3-L/R, FWE74DATN5V3-L/R, FWE75DATN5V3-L/R, FWE76DATN5V3-L/R, FWE77DATN5V3-L/R, FWE78DATN5V3-L/R, FWE79DATN5V3-L/R, FWE80DATN5V3-L/R, FWE81DATN5V3-L/R, FWE82DATN5V3-L/R, FWE83DATN5V3-L/R, FWE84DATN5V3-L/R, FWE85DATN5V3-L/R, FWE86DATN5V3-L/R, FWE87DATN5V3-L/R, FWE88DATN5V3-L/R, FWE89DATN5V3-L/R, FWE90DATN5V3-L/R, FWE91DATN5V3-L/R, FWE92DATN5V3-L/R, FWE93DATN5V3-L/R, FWE94DATN5V3-L/R, FWE95DATN5V3-L/R, FWE96DATN5V3-L/R, FWE97DATN5V3-L/R, FWE98DATN5V3-L/R, FWE99DATN5V3-L/R, FWE00DATN5V3-L/R, FWE01DATN5V3-L/R, FWE02DATN5V3-L/R, FWE03DATN5V3-L/R, FWE04DATN5V3-L/R, FWE05DATN5V3-L/R, FWE06DATN5V3-L/R, FWE07DATN5V3-L/R, FWE08DATN5V3-L/R, FWE09DATN5V3-L/R, FWE10DATN5V3-L/R, FWE11DATN5V3-L/R, FWE12DATN5V3-L/R, FWE13DATN5V3-L/R, FWE14DATN5V3-L/R, FWE15DATN5V3-L/R, FWE16DATN5V3-L/R, FWE17DATN5V3-L/R, FWE18DATN5V3-L/R, FWE19DATN5V3-L/R, FWE20DATN5V3-L/R, FWE21DATN5V3-L/R, FWE22DATN5V3-L/R, FWE23DATN5V3-L/R, FWE24DATN5V3-L/R, FWE25DATN5V3-L/R, FWE26DATN5V3-L/R, FWE27DATN5V3-L/R, FWE28DATN5V3-L/R, FWE29DATN5V3-L/R, FWE30DATN5V3-L/R, FWE31DATN5V3-L/R, FWE32DATN5V3-L/R, FWE33DATN5V3-L/R, FWE34DATN5V3-L/R, FWE35DATN5V3-L/R, FWE36DATN5V3-L/R, FWE37DATN5V3-L/R, FWE38DATN5V3-L/R, FWE39DATN5V3-L/R, FWE40DATN5V3-L/R, FWE41DATN5V3-L/R, FWE42DATN5V3-L/R, FWE43DATN5V3-L/R, FWE44DATN5V3-L/R, FWE45DATN5V3-L/R, FWE46DATN5V3-L/R, FWE47DATN5V3-L/R, FWE48DATN5V3-L/R, FWE49DATN5V3-L/R, FWE50DATN5V3-L/R, FWE51DATN5V3-L/R, FWE52DATN5V3-L/R, FWE53DATN5V3-L/R, FWE54DATN5V3-L/R, FWE55DATN5V3-L/R, FWE56DATN5V3-L/R, FWE57DATN5V3-L/R, FWE58DATN5V3-L/R, FWE59DATN5V3-L/R, FWE60DATN5V3-L/R, FWE61DATN5V3-L/R, FWE62DATN5V3-L/R, FWE63DATN5V3-L/R, FWE64DATN5V3-L/R, FWE65DATN5V3-L/R, FWE66DATN5V3-L/R, FWE67DATN5V3-L/R, FWE68DATN5V3-L/R, FWE69DATN5V3-L/R, FWE70DATN5V3-L/R, FWE71DATN5V3-L/R, FWE72DATN5V3-L/R, FWE73DATN5V3-L/R, FWE74DATN5V3-L/R, FWE75DATN5V3-L/R, FWE76DATN5V3-L/R, FWE77DATN5V3-L/R, FWE78DATN5V3-L/R, FWE79DATN5V3-L/R, FWE80DATN5V3-L/R, FWE81DATN5V3-L/R, FWE82DATN5V3-L/R, FWE83DATN5V3-L/R, FWE84DATN5V3-L/R, FWE85DATN5V3-L/R, FWE86DATN5V3-L/R, FWE87DATN5V3-L/R, FWE88DATN5V3-L/R, FWE89DATN5V3-L/R, FWE90DATN5V3-L/R, FWE91DATN5V3-L/R, FWE92DATN5V3-L/R, FWE93DATN5V3-L/R, FWE94DATN5V3-L/R, FWE95DATN5V3-L/R, FWE96DATN5V3-L/R, FWE97DATN5V3-L/R, FWE98DATN5V3-L/R, FWE99DATN5V3-L/R, FWE00DATN5V3-L/R, FWE01DATN5V3-L/R, FWE02DATN5V3-L/R, FWE03DATN5V3-L/R, FWE04DATN5V3-L/R, FWE05DATN5V3-L/R, FWE06DATN5V3-L/R, FWE07DATN5V3-L/R, FWE08DATN5V3-L/R, FWE09DATN5V3-L/R, FWE10DATN5V3-L/R, FWE11DATN5V3-L/R, FWE12DATN5V3-L/R, FWE13DATN5V3-L/R, FWE14DATN5V3-L/R, FWE15DATN5V3-L/R, FWE16DATN5V3-L/R, FWE17DATN5V3-L/R, FWE18DATN5V3-L/R, FWE19DATN5V3-L/R, FWE20DATN5V3-L/R, FWE21DATN5V3-L/R, FWE22DATN5V3-L/R, FWE23DATN5V3-L/R, FWE24DATN5V3-L/R, FWE25DATN5V3-L/R, FWE26DATN5V3-L/R, FWE27DATN5V3-L/R, FWE28DATN5V3-L/R, FWE29DATN5V3-L/R, FWE30DATN5V3-L/R, FWE31DATN5V3-L/R, FWE32DATN5V3-L/R, FWE33DATN5V3-L/R, FWE34DATN5V3-L/R, FWE35DATN5V3-L/R, FWE36DATN5V3-L/R, FWE37DATN5V3-L/R, FWE38DATN5V3-L/R, FWE39DATN5V3-L/R, FWE40DATN5V3-L/R, FWE41DATN5V3-L/R, FWE42DATN5V3-L/R, FWE43DATN5V3-L/R, FWE44DATN5V3-L/R, FWE45DATN5V3-L/R, FWE46DATN5V3-L/R, FWE47DATN5V3-L/R, FWE48DATN5V3-L/R, FWE49DATN5V3-L/R, FWE50DATN5V3-L/R, FWE51DATN5V3-L/R, FWE52DATN5V3-L/R, FWE53DATN5V3-L/R, FWE54DATN5V3-L/R, FWE55DATN5V3-L/R, FWE56DATN5V3-L/R, FWE57DATN5V3-L/R, FWE58DATN5V3-L/R, FWE59DATN5V3-L/R, FWE60DATN5V3-L/R, FWE61DATN5V3-L/R, FWE62DATN5V3-L/R, FWE63DATN5V3-L/R, FWE64DATN5V3-L/R, FWE65DATN5V3-L/R, FWE66DATN5V3-L/R, FWE67DATN5V3-L/R, FWE68DATN5V3-L/R, FWE69DATN5V3-L/R, FWE70DATN5V3-L/R, FWE71DATN5V3-L/R, FWE72DATN5V3-L/R, FWE73DATN5V3-L/R, FWE74DATN5V3-L/R, FWE75DATN5V3-L/R, FWE76DATN5V3-L/R, FWE77DATN5V3-L/R, FWE78DATN5V3-L/R, FWE79DATN5V3-L/R, FWE80DATN5V3-L/R, FWE81DATN5V3-L/R, FWE82DATN5V3-L/R, FWE83DATN5V3-L/R, FWE84DATN5V3-L/R, FWE85DATN5V3-L/R, FWE86DATN5V3-L/R, FWE87DATN5V3-L/R, FWE88DATN5V3-L/R, FWE89DATN5V3-L/R, FWE90DAT

Table of contents

1 About the documentation 3

1.1 About this document..... 3

1.2 Meaning of warnings and symbols 3

1.3 General..... 4

2 About the box 4

2.1 Overview: About the box 4

2.2 To unpack and handle the fan coil unit..... 4

2.3 To remove the accessories from the fan coil unit..... 4

3 About the unit 4

3.1 Overview: About the units and options..... 4

3.2 Identification 5

3.2.1 Identification label: Fan coil unit..... 5

4 Preparation 5

4.1 Overview: Preparation..... 5

4.2 Preparing the installation site 5

4.3 Preparing water piping 6

4.4 Preparing electrical wiring 6

4.4.1 About preparing the electrical wiring..... 6

5 Installation 7

5.1 Mounting the fan coil unit 7

5.1.1 Horizontal installation..... 7

5.1.2 Vertical installation 8

5.2 Changing from horizontal to vertical installation 8

5.3 Connecting the water piping..... 9

5.3.1 To connect the water piping..... 9

5.3.2 To fill the water circuit 10

5.4 Connecting the electrical wiring..... 10

5.4.1 About connecting the electrical wiring..... 10

5.4.2 Guidelines when connecting the electrical wiring 10

5.4.3 To connect the electrical wiring on the fan coil unit 10

5.4.4 To change the electrical wiring direction..... 10

5.5 Connecting the drain piping 12

5.5.1 To install the drain piping to the unit..... 12

5.5.2 To check the drain piping..... 13

6 Commissioning 13

6.1 To perform a test run..... 13

6.2 Checklist before commissioning..... 14

7 Maintenance and service 14

7.1 To clean the air filter..... 14

8 Technical data 16

8.1 Dimensions..... 16

8.2 Wiring diagram 18

8.3 Information requirements for Eco Design..... 19

1 About the documentation

1.1 About this document

Target audience
 Authorised installers



INFORMATION

This appliance is intended to be used by expert or trained users in shops, in light industry, and on farms, or for commercial and household use by lay persons.

Documentation set

This document is part of a documentation set. The complete set consists of:

Latest revisions of the supplied documentation may be available on the regional Daikin website or via your dealer.

The original documentation is written in English. All other languages are translations.

Fan coil unit installation manual:

- Installation instructions
- Format: Paper (in the box of the fan coil unit)

1.2 Meaning of warnings and symbols



DANGER

Indicates a situation that results in death or serious injury.



DANGER: RISK OF ELECTROCUTION

Indicates a situation that could result in electrocution.



DANGER: RISK OF BURNING

Indicates a situation that could result in burning because of extreme hot or cold temperatures.



DANGER: RISK OF EXPLOSION

Indicates a situation that could result in explosion.



WARNING

Indicates a situation that could result in death or serious injury.



WARNING: FLAMMABLE MATERIAL



CAUTION

Indicates a situation that could result in minor or moderate injury.



NOTICE

Indicates a situation that could result in equipment or property damage.



INFORMATION

Indicates useful tips or additional information.

Symbol	Explanation
	Before installation, read the installation and operation manual, and the wiring instruction sheet.
	Before performing maintenance and service tasks, read the service manual.
	For more information, see the installer and user reference guide.

2 About the box

1.3 General

If you are NOT sure how to install or operate the unit, contact your dealer.



NOTICE

Improper installation or attachment of equipment or accessories could result in electric shock, short-circuit, leaks, fire or other damage to the equipment. Only use accessories, optional equipment and spare parts made or approved by Daikin.



WARNING

Make sure installation, testing and applied materials comply with applicable legislation (on top of the instructions described in the Daikin documentation).



CAUTION

Wear adequate personal protective equipment (protective gloves, safety glasses,...) when installing, maintaining or servicing the system.



WARNING

Tear apart and throw away plastic packaging bags so that nobody, especially children, can play with them. Possible risk: suffocation.



WARNING

Provide adequate measures to prevent that the unit can be used as a shelter by small animals. Small animals that make contact with electrical parts can cause malfunctions, smoke or fire.



CAUTION

Do NOT touch the air inlet or aluminium fins of the unit.



NOTICE

- Do NOT place any objects or equipment on top of the unit.
- Do NOT sit, climb or stand on the unit.



DANGER: RISK OF ELECTROCUTION

- Make sure that the system is earthed properly.
- Turn off the power supply before servicing.
- Install the switch box cover before turning on the power supply.



CAUTION

- Check if the installation location can support the unit's weight. Poor installation is hazardous. It can also cause vibrations or unusual operating noise.
- Provide sufficient service space.
- Do NOT install the unit so that it is in contact with a ceiling or a wall, as this may cause vibrations.



DANGER: RISK OF ELECTROCUTION

Do not operate the fan coil units with wet hands. An electric shock may result.

2 About the box

2.1 Overview: About the box

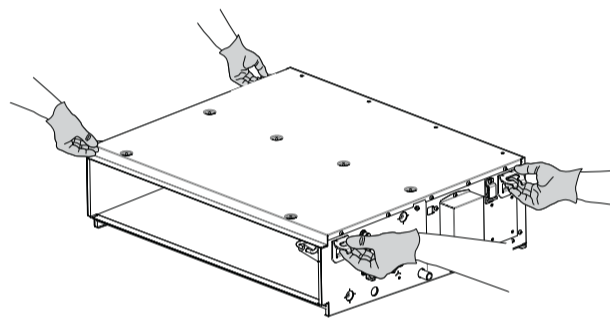
Keep the following in mind:

- At delivery, the unit MUST be checked for damage. Any damage MUST be reported immediately to the claims agent of the carrier.
- Bring the packed unit as close as possible to its final installation position to prevent damage during transport.
- Prepare the path along which you want to bring the unit inside in advance.

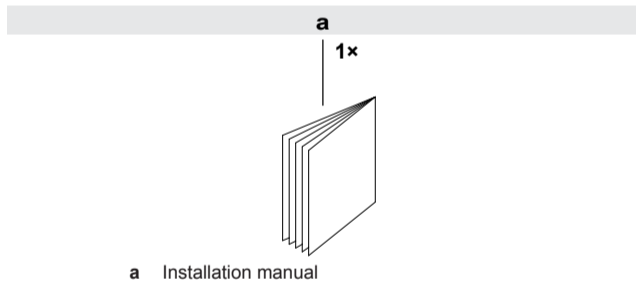
2.2 To unpack and handle the fan coil unit

Use a sling of soft material or protective plates together with a rope when lifting the unit. This to avoid damage or scratches to the unit.

- Lift the unit by holding onto the hanger brackets without exerting any pressure on other parts, especially on drain piping and thermal insulation.



2.3 To remove the accessories from the fan coil unit



3 About the unit

3.1 Overview: About the units and options

This chapter contains information about:

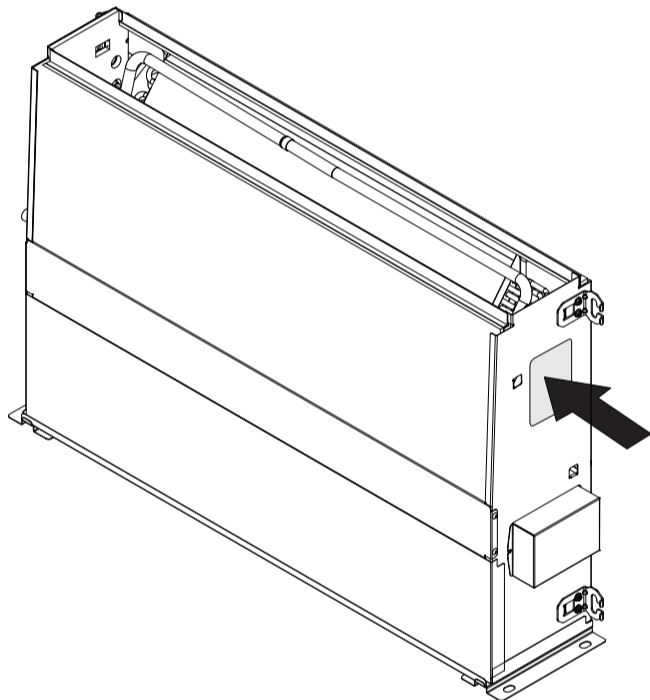
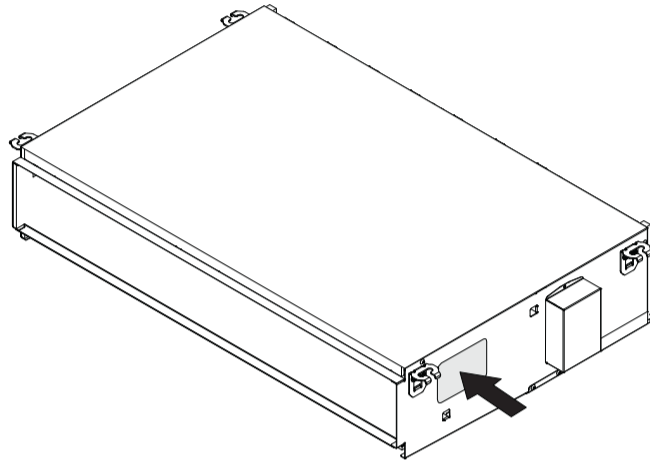
- Identifying the fan coil unit.

4 Preparation

3.2 Identification

3.2.1 Identification label: Fan coil unit

Location



Model identification

Example: FW E 03 D A F N 5 V3 — L

Code	Description
FW	Water fan coil unit
E	Flex Low Static Pressure (LSP) without casing
03	Capacity class: 03=1.5 kW
D	Major model change (A to Z)
A	Minor change
F	4 pipe
N	Without valve
5	Hendek factory
V3	Fan motor / single phase / 50 Hz / 220~240 V
—	No option

Code	Description
L	S: Left side water – Left side electric connection L: Left side water – Right side electric connection T: Right side water – Right side electric connection R: Right side water – Left side electric connection

4 Preparation

4.1 Overview: Preparation

This chapter describes what you have to do and know before going on-site.

It contains information about:

- Preparing the installation site
- Preparing the water piping
- Preparing the electrical wiring

4.2 Preparing the installation site



WARNING

Do NOT place objects below the fan unit that may get wet. Otherwise condensation on the main unit or water pipes, air filter dirt or drain blockage may cause dripping, resulting in fouling or failure of the object concerned.



NOTICE

Please consult with your dealer to ensure that the external static pressure of the unit is not exceeded.

Do not install or operate the unit in rooms mentioned below.

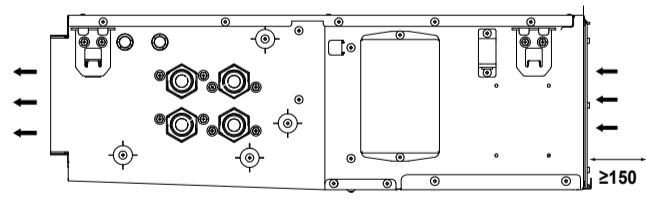
- Places with mineral oil, or filled with oil vapour or spray like in kitchens (plastic parts may deteriorate).
- Where corrosive gas like sulphurous gas exists. Copper tubing and brazed spots may corrode.
- Where the air contains high levels of salt such as that near the ocean and where voltage fluctuates a lot. (e.g. in factories). Also in vehicles or vessels.
- In places where there is machinery that emits electromagnetic waves. Electromagnetic waves may disturb the control system, and cause malfunction of the equipment.
- In places where there is a risk of fire due to the leakage of flammable gases (example: thinner or gasoline), carbon fibre, ignitable dust.

Select an installation site where the following conditions are fulfilled and that meets your customer approval.

The space around the unit is adequate for maintenance and servicing. The space around the unit allows sufficient air circulation and air distribution see space required for installation.

Horizontal installation

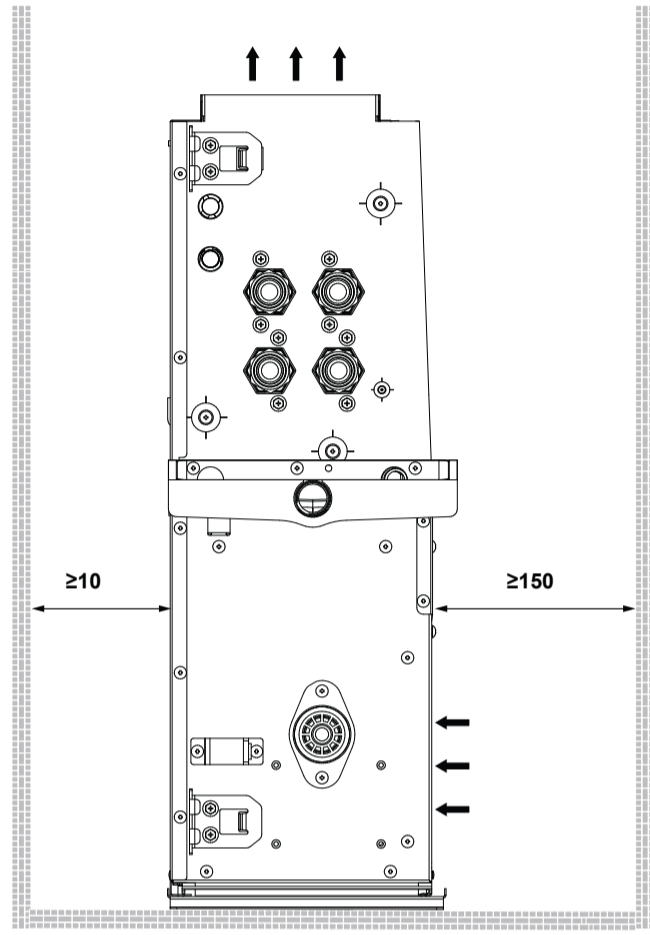
The unit must be installed ≥ 2.5 m from the floor where the unit is hanging in the ceiling.



4 Preparation

Vertical installation

Vertical filter maintenance space should be considered as indicated.



CAUTION

Do not use suspension bolts in case of vertical installation. Vertical installation must be performed with the vertical installation kit (ESFH01DS).

4.3 Preparing water piping

The unit is equipped with a water inlet and water outlet for connection to the water circuit. The water circuit must be provided by an installer and must comply with the applicable legislation.

NOTICE

The unit is only to be used in a closed water system. Application in an open water circuit can lead to excessive corrosion of the water piping.

Before performing the water piping work, check the following points:

- The maximum water pressure is 1 MPa.
- The minimum water temperature is 5°C.
- The maximum water temperature is 90°C.
- Be sure to install components in the field piping that can withstand the water pressure and temperature.
- Provide adequate safeguards in the water circuit to ensure that the water pressure will never exceed the maximum allowable working pressure.
- Provide a proper drain for the pressure relief valve (if installed) to avoid any water from coming into contact with electrical parts.
- Provide shut-off valves at the unit so that normal servicing can be accomplished without draining the system.

- Provide drain taps at all low points of the system to permit complete draining of the circuit during maintenance or service to the unit.
- Provide air purge valves at all high points of the system. The valves shall be located at points which are easily accessible for servicing.

4.4 Preparing electrical wiring

4.4.1 About preparing the electrical wiring

WARNING

- ONLY use copper wires.
- Make sure the field wiring complies with the applicable legislation.
- All field wiring MUST be performed in accordance with the wiring diagram supplied with the product.
- NEVER squeeze bundled cables and make sure they do NOT come in contact with the piping and sharp edges. Make sure no external pressure is applied to the terminal connections.
- Make sure to install earth wiring. Do NOT earth the unit to a utility pipe, surge absorber, or telephone earth. Incomplete earth may cause electrical shock.
- Make sure to use a dedicated power circuit. NEVER use a power supply shared by another appliance.
- Make sure to install the required fuses or circuit breakers.
- Make sure to install an earth leakage protector. Failure to do so may cause electric shock or fire.
- When installing the earth leakage protector, make sure it is compatible with the inverter (resistant to high frequency electric noise) to avoid unnecessary opening of the earth leakage protector.

NOTICE

The equipment described in this manual may cause electronic noise generated from radio-frequency energy. The equipment complies to specifications that are designed to provide reasonable protection against such interference. However, there is no guarantee that interference will not occur in a particular installation.

It is therefore recommended to install the equipment and electric wires keeping proper distances away from stereo equipment, personal computers, etc.

WARNING

All field wiring and components MUST be installed by a licensed electrician and MUST comply with the applicable legislation.



DANGER: RISK OF ELECTROCUTION



WARNING

A main switch or other means for disconnection, having a contact separation in all poles, MUST be incorporated in the fixed wiring in accordance with the applicable legislation.

5 Installation

Electrical characteristics

	FWE-D
Phase	1N~
Frequency	50 Hz
Voltage range	220~240 V
Voltage tolerance	±10%
Maximum running current	0.46 A
Overcurrent fuse	16 A

Specifications for field wiring

	Wire	Size (mm ²)	Length
Power supply wiring	H05VV-U3G ^{(a)(b)}	According to the applicable legislation ≤4.0	—
Remote controller and unit transmission wiring	Sheathed wire 2 conductors ^(c)	0.75~1.25	≤500 m ^(d)

- ^(a) Only in case of protected pipes. Use H07RN-F in case of no protection.
^(b) Run electrical wiring through a conduit to protect against external forces.
^(c) Use double insulation wire for remote controller (sheath thickness ≥1 mm) or run wires through a wall or conduit so that the user cannot come in contact with them.
^(d) The length shall be the total extended length in a system with group control.

5 Installation

5.1 Mounting the fan coil unit

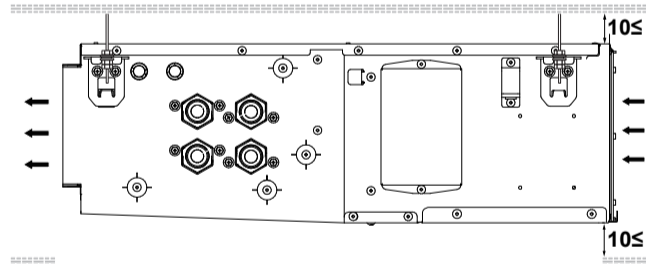
i INFORMATION

The spacing between ceiling and unit should be ≥10 mm and the suction space should be ≥150 mm.

i INFORMATION

All the above parts are field supplied. For installation other than standard installation, contact your local dealer for advice.

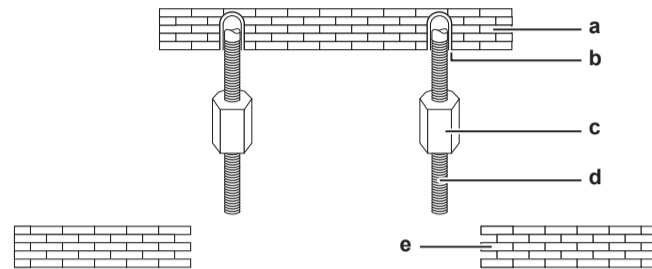
5.1.1 Horizontal installation



- 1 Make the required ceiling opening for installation in an applicable place.

It may be necessary to reinforce the suspended ceiling frame to keep the ceiling level and to prevent it from vibrating. Consult the builder for details.

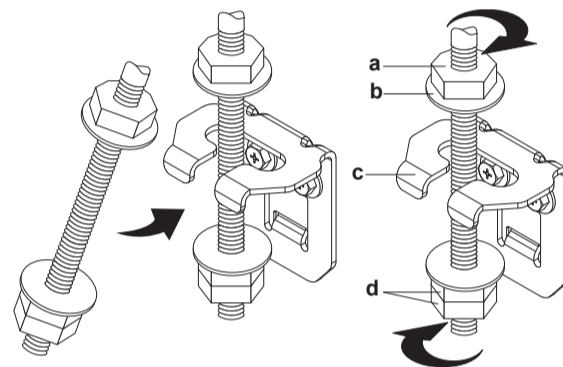
- 2 Install the suspension bolts. Use either W3/8 or M10 size bolts. Use anchors for existing ceilings, and a sunken insert, sunken anchors or other field supplied parts for new ceilings to reinforce the ceiling in order to bear the weight of the unit. Refer to it to check for points requiring reinforcing. Adjust the clearance from the ceiling before proceeding further.



- a Ceiling slab
b Anchor
c Long nut or turn-buckle
d Suspension bolt
e Suspended ceiling

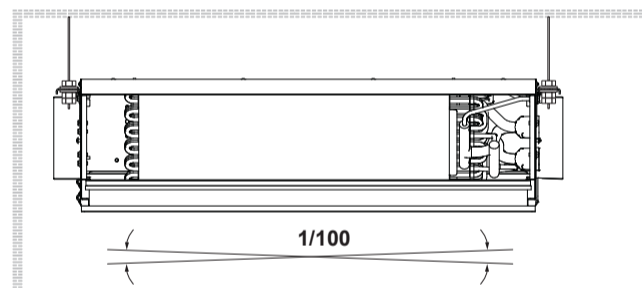
- 3 Install the unit temporarily.

Attach the hanger bracket to the suspension bolt. Fix the unit securely.



- a Nut (field supply)
b Washer (field supply)
c Hanger bracket
d Double nut (field supply)

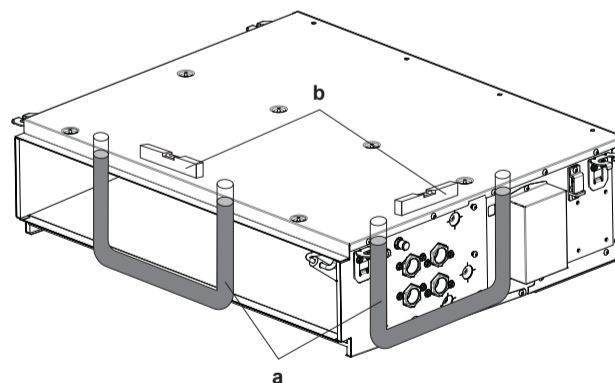
- 4 Adjust the unit to the correct position for installation.



- 5 Check if the unit is horizontally levelled.

Do not install the unit tilted. If the unit is tilted against the direction of the condensate flow (drain piping side raised), it will cause water to drip.

Check if the unit is levelled at all 4 corners with a water level or a water-filled plastic tube.



- a Plastic tube
b Level

5 Installation

5.1.2 Vertical installation

NOTICE

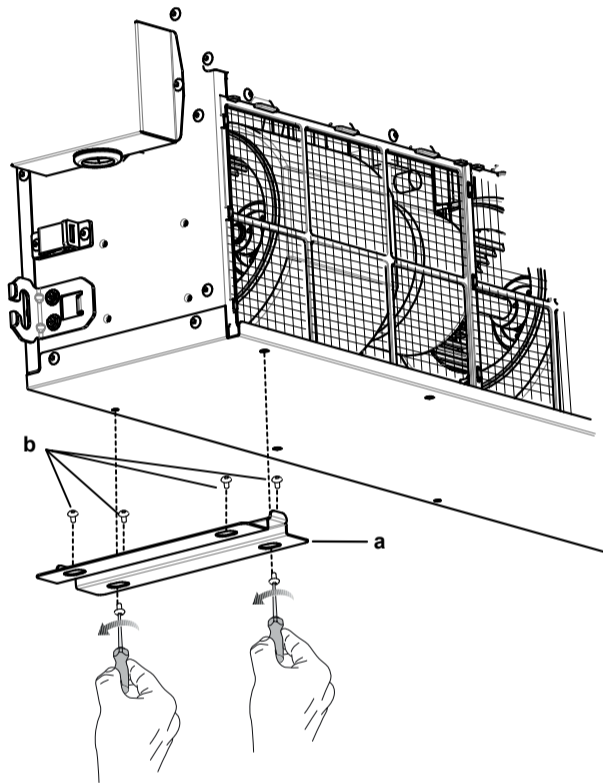
Do NOT use excessive force when connecting the piping. Deformation of the piping can cause malfunctioning of the unit. Make sure that the tightening torque is 3 N·m for all screws.

NOTICE

The option kit (ESFH01DS) should be provided by a local dealer to install the unit vertically.

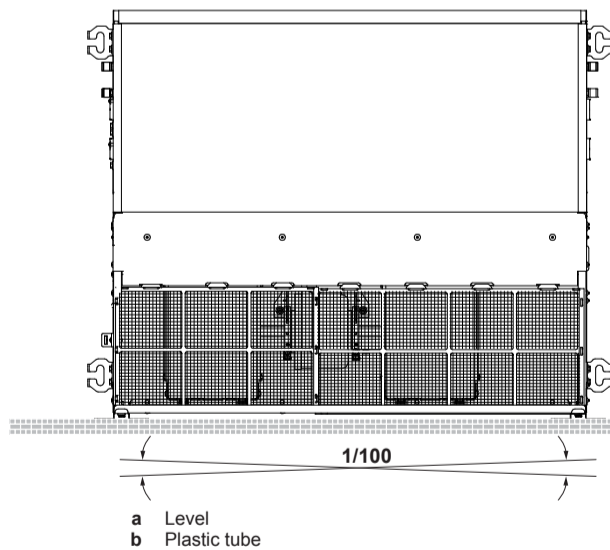
1 Install the unit temporarily.

Install the unit on the floor with installation legs. Be sure to place the unit on the floor securely. If there is a risk that the unit will topple, fix it to the floor using screws in the installation leg holes.



a Installation leg
b Fixing screw

2 Adjust the unit to the correct position for installing.

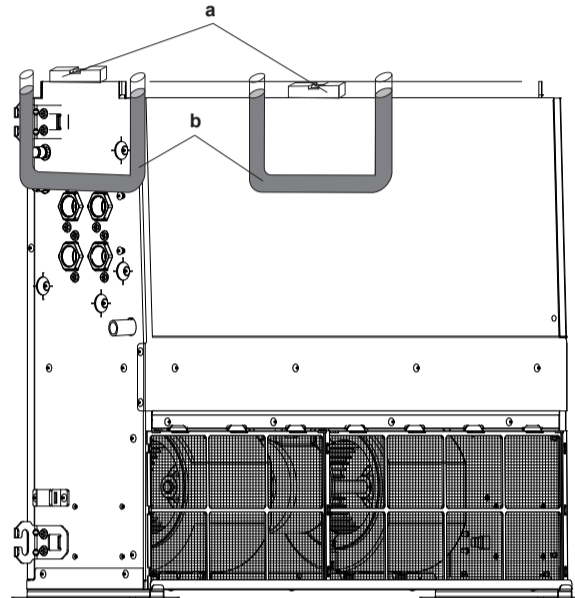


a Level
b Plastic tube

3 Check if the unit is horizontally levelled.

Do not install the unit tilted. If the unit is tilted against the direction of the condensate flow (drain piping side raised), it will cause water to drip.

Check if the unit is levelled at all four corners with a water level or a water-filled plastic tube.



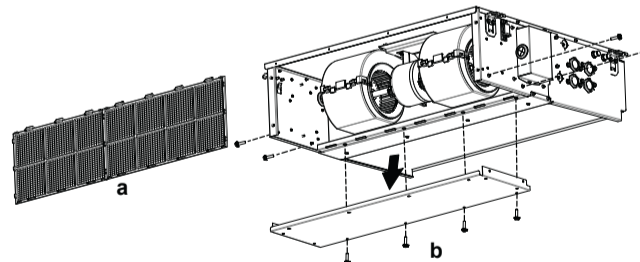
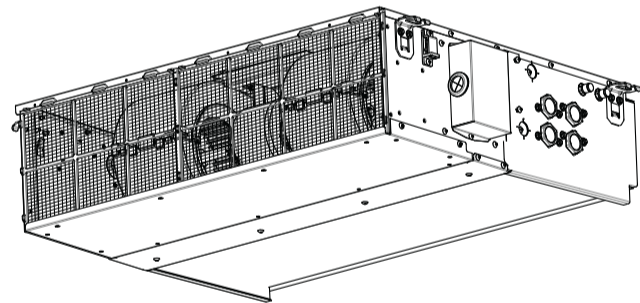
5.2 Changing from horizontal to vertical installation

CAUTION

Make sure that the unit is levelled in all directions.

In case of changing from horizontal to vertical installation, please follow the instructions below.

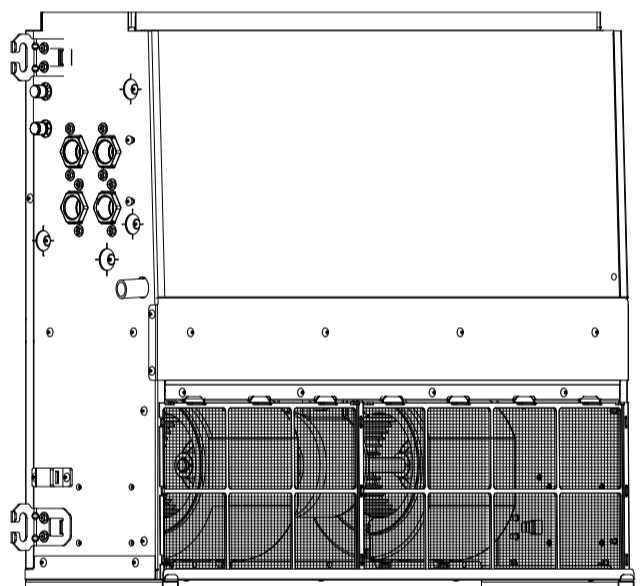
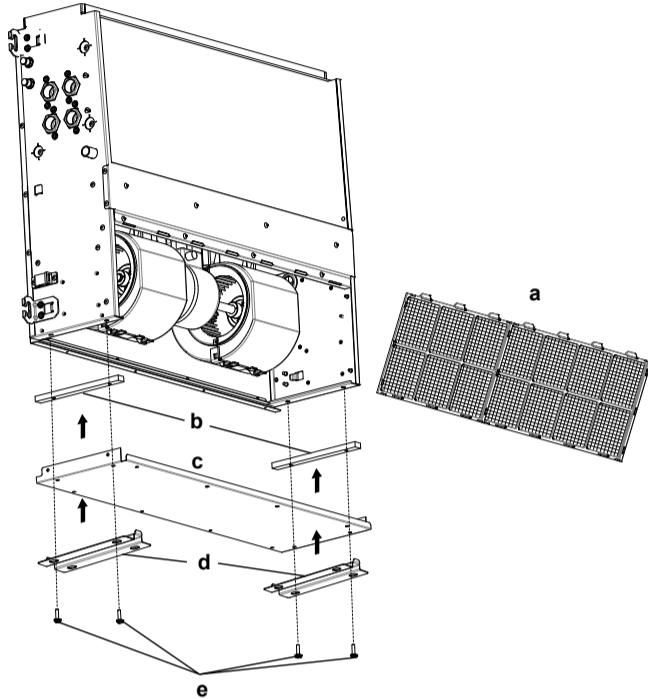
- 1 Remove the air filter.
- 2 Remove the screws in the service cover and remove it from the unit.



- 3 Insert the rubber support (included in the option kit) in the free area between the side plate and the bottom flanges.
- 4 Reattach the removed service cover to the bottom side.
- 5 Attach 2 installation legs from the vertical installation option kit to the service cover with the 4 screws from the option kit.

5 Installation

- 6 Reattach the air filter on the service cover filter guide.
- 7 The unit is ready for vertical installation.



- a Air filter
- b Service cover
- c Installation legs
- d Screws
- e Air filter

5.3 Connecting the water piping



NOTICE

Do not use excessive force when connecting the piping. This could deform the unit piping. Deformation of the piping can cause the unit to malfunction.

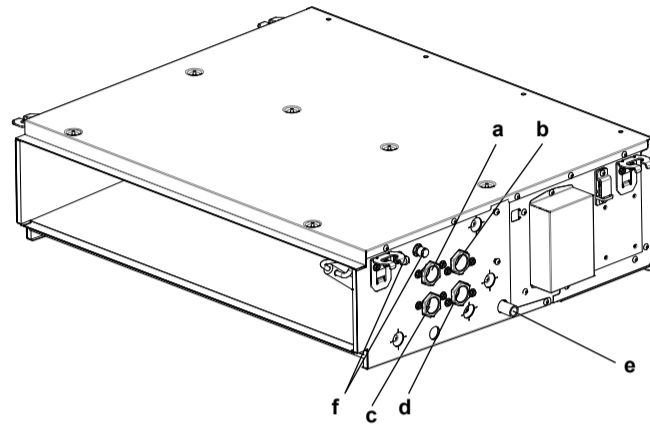


CAUTION

Valves should always be used to control the water circulation in the unit. The valve should be of the NC (normally closed) type so that the valves are closed when the unit is not operating. This will prevent condensate water from being produced.

5.3.1 To connect the water piping

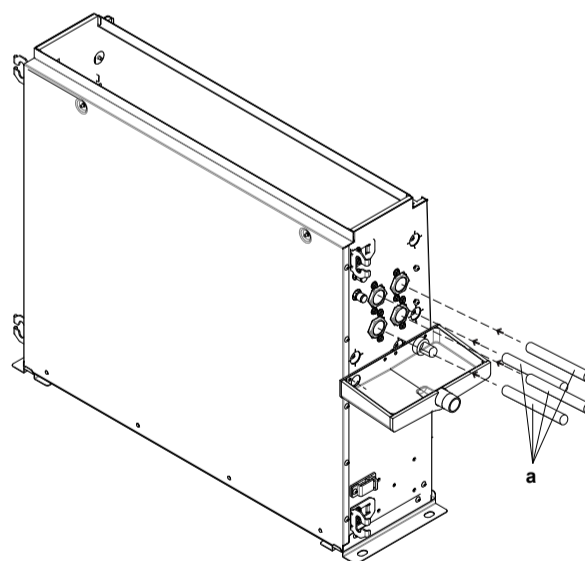
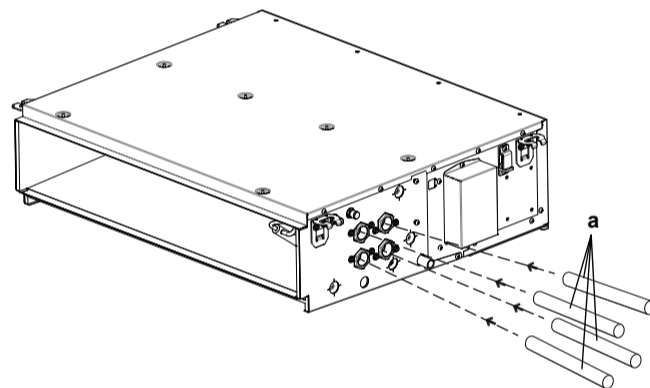
- 1 Connect the water inlet and outlet connections of the fan coil unit to the water piping.



- a Drain pipe connection (3/4" male)
- b Chilled water inlet (3/4" female BSP)
- c Chilled water outlet (3/4" female BSP)
- d Heating water inlet (3/4" female BSP)
- e Heating water outlet (3/4" female BSP)
- f Air purge valve

Remark: Use a 3/4" male BSP pipe in case of direct connection to the unit.

- 2 The complete water circuit, including all piping, must be insulated to prevent condensation and reduced capacity.



- a Connection pipe

5 Installation

5.3.2 To fill the water circuit

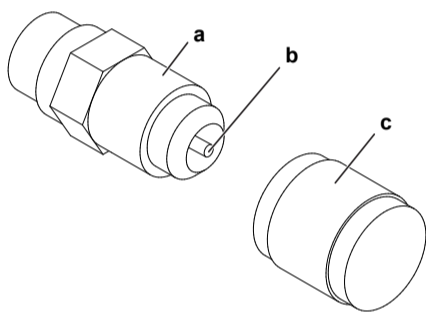
NOTICE

Make sure water quality complies with EU directive 98/83 EC.

NOTICE

- Air in the water circuit can cause malfunctioning. During filling, it may not be possible to remove all the air from the circuit. Remaining air will be removed through the automatic air purge valves during the initial operating hours of the system. Additional filling with water afterwards may be required.
- To purge the system, use the special function as described in "6 Commissioning" on page 13.

- 1 Open the cap.
- 2 Push the pressure relief valve to purge air from the unit water circuit(s).
- 3 Close the cap.
- 4 Additional filling with water afterwards might be required (but never through the air purge valve).



- a Air purge
b Pressure relief valve
c Cap

5.4 Connecting the electrical wiring

5.4.1 About connecting the electrical wiring

Typical workflow

Connecting the electrical wiring typically consists of the following stages:

- 1 Making sure the power supply system complies with the electrical specifications of the units.
- 2 Connecting the electrical wiring to the fan coil unit.
- 3 Changing the electrical wiring direction (if applicable).

5.4.2 Guidelines when connecting the electrical wiring

When connecting wires of the same gauge, connect them according to the figure below.



Observe the notes mentioned below when connecting the electrical wiring.

- Do not connect wires of different gauge to the same power supply terminal. Looseness in the connection may cause overheating.
- Do not connect wires of different gauge to the same grounding terminal. Looseness in the connection may deteriorate the protection.

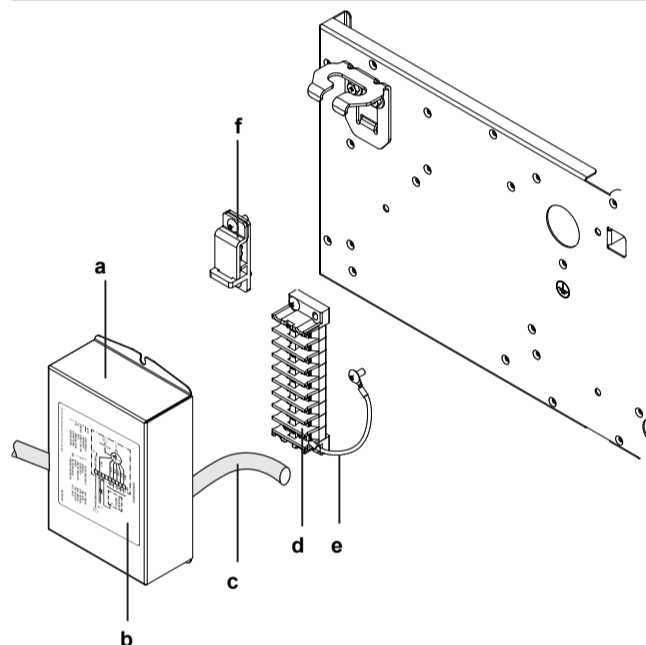
- Use the specified electric wire (refer to "Specifications for field wiring" on page 7). Connect the wire securely to the terminal. Use the appropriate tightening torque (N·m).
- Power supply terminal block tightening torque: 1.44~1.88 N·m.
- Keep the wiring neat so that wires do not obstruct other equipment or force the terminal cover to pop open. Make sure the cover closes tight. Incomplete connections could result in overheating, and in the worst case, electric shock or fire.

5.4.3 To connect the electrical wiring on the fan coil unit

Refer to the wiring diagram sticker on the terminal cover.

NOTICE

- Follow the wiring diagram (delivered with the unit, located on the switch box cover).
- Make sure the electrical wiring does NOT obstruct proper reattachment of the service cover.



- a Terminal cover
b Sticker
c Power supply cable
d Terminal strip
e Earth wire
f Cable holder

- 1 Remove the terminal cover and the cable holder from the unit.
- 2 Connect the power supply cable to the terminal strip.
- 3 Fix the power supply cable with the cable holder.
- 4 Reattach the terminal cover to the unit.

5.4.4 To change the electrical wiring direction

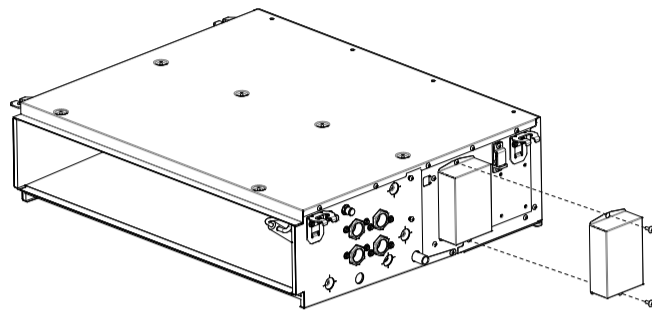
NOTICE

The electrical wiring direction can be changed to the opposite side in the field.

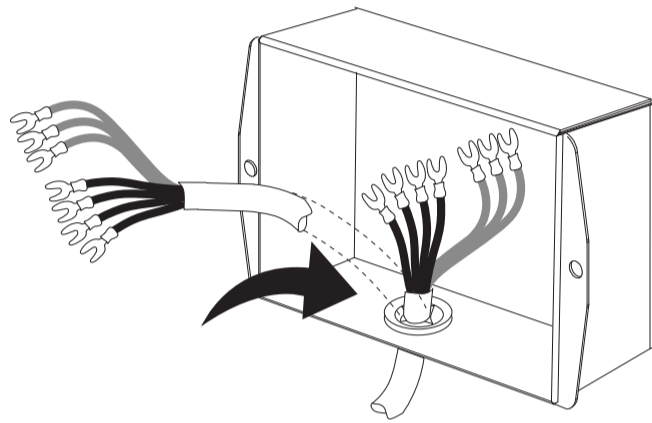
NOTICE

When attaching the terminal cover, make sure not to pinch any wires.

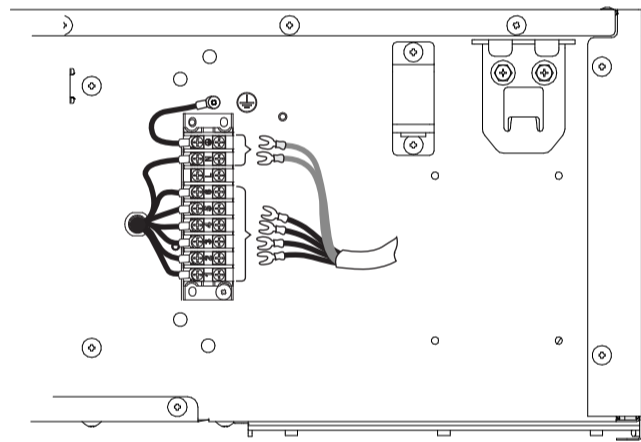
- 1 Remove the terminal cover, terminal, cable holder, earth wire and fan motor cables.



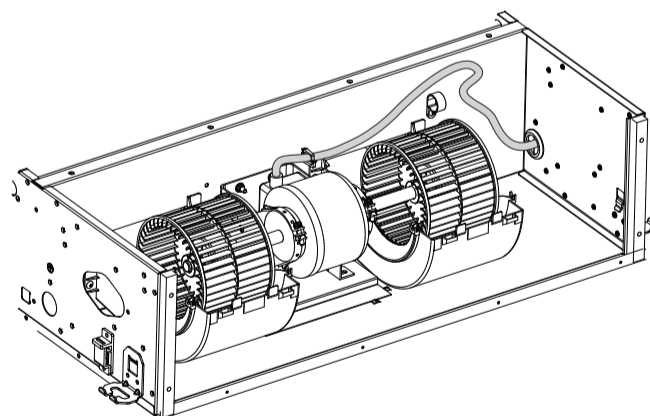
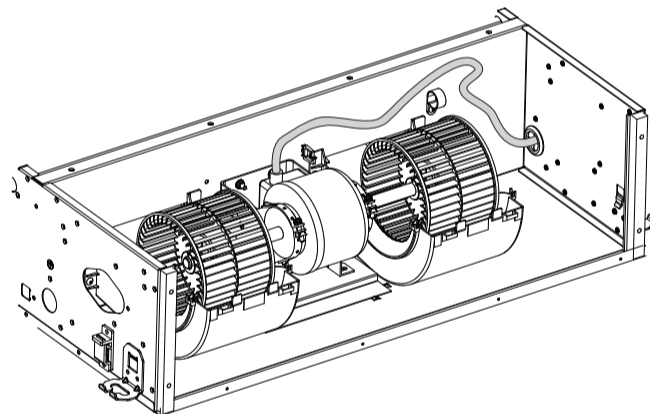
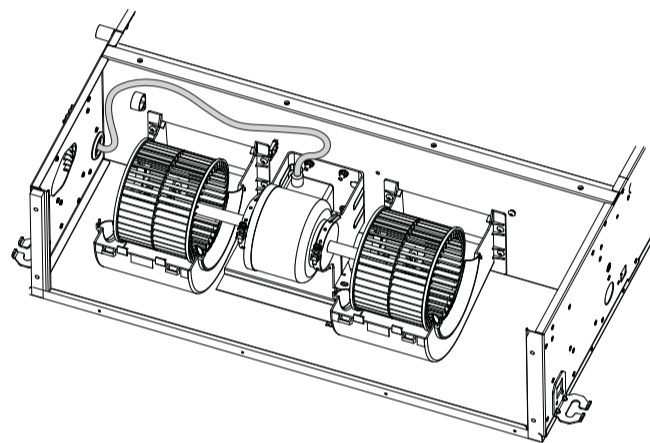
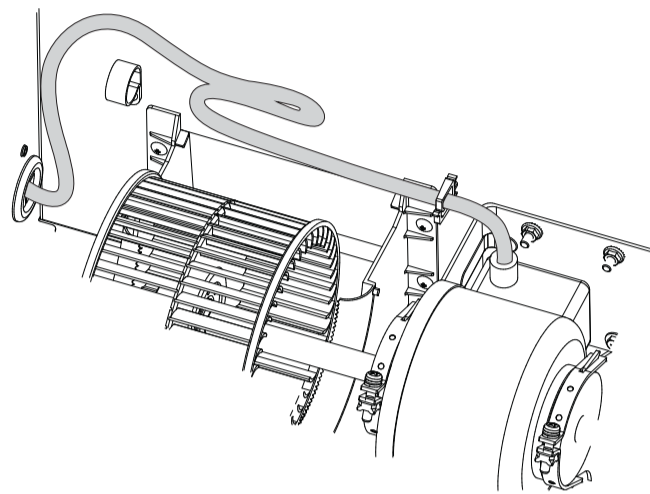
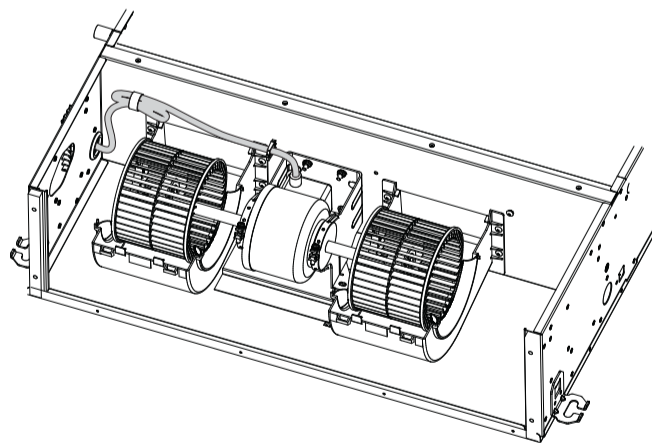
2 Release the fan motor cables from the cable holders.



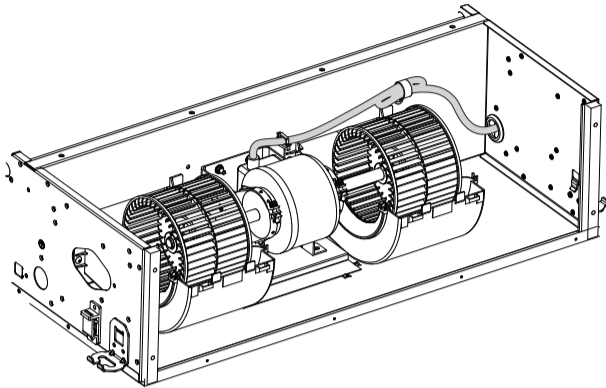
3 Change the direction of the fan motor cables.



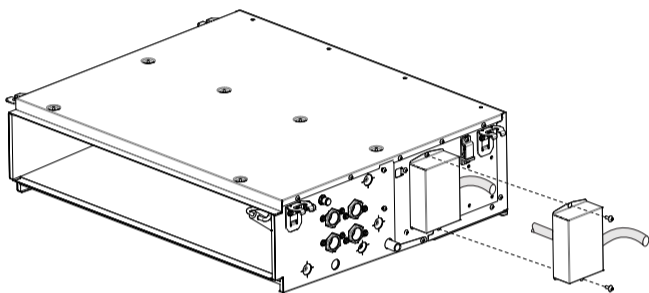
4 Fix the cables to the partition plate. Make sure that unused cables are fixed tightly with a cable clamp in the new position.



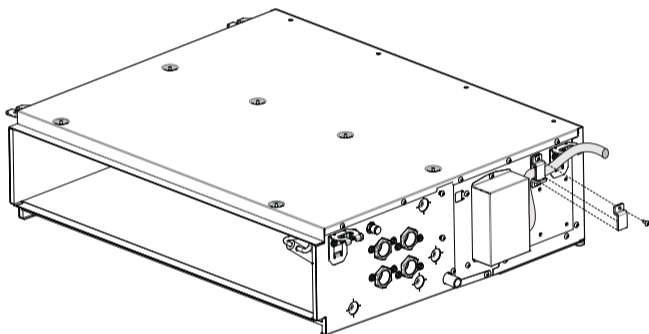
5 Installation



5 Fix the removed parts to the unit.



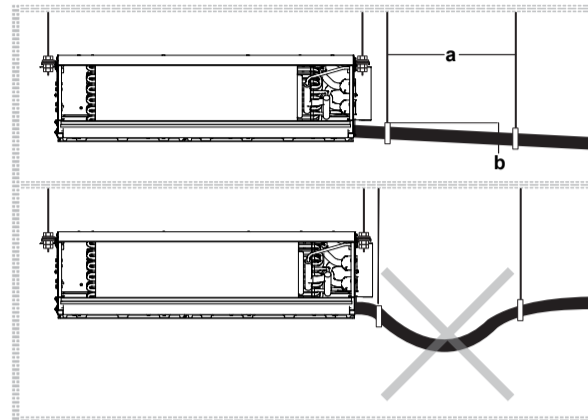
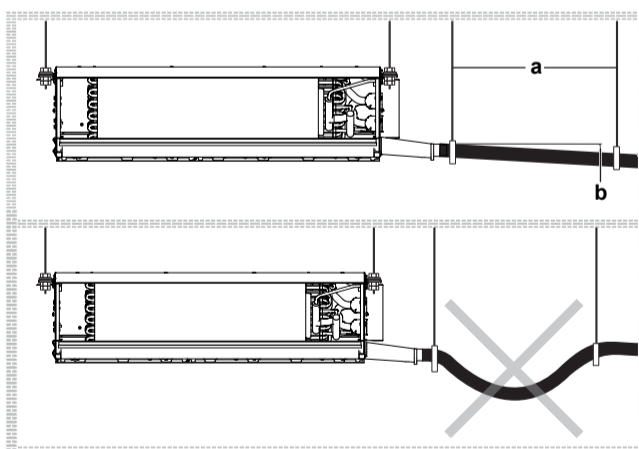
6 Install the removed cable holder to fix the cable.



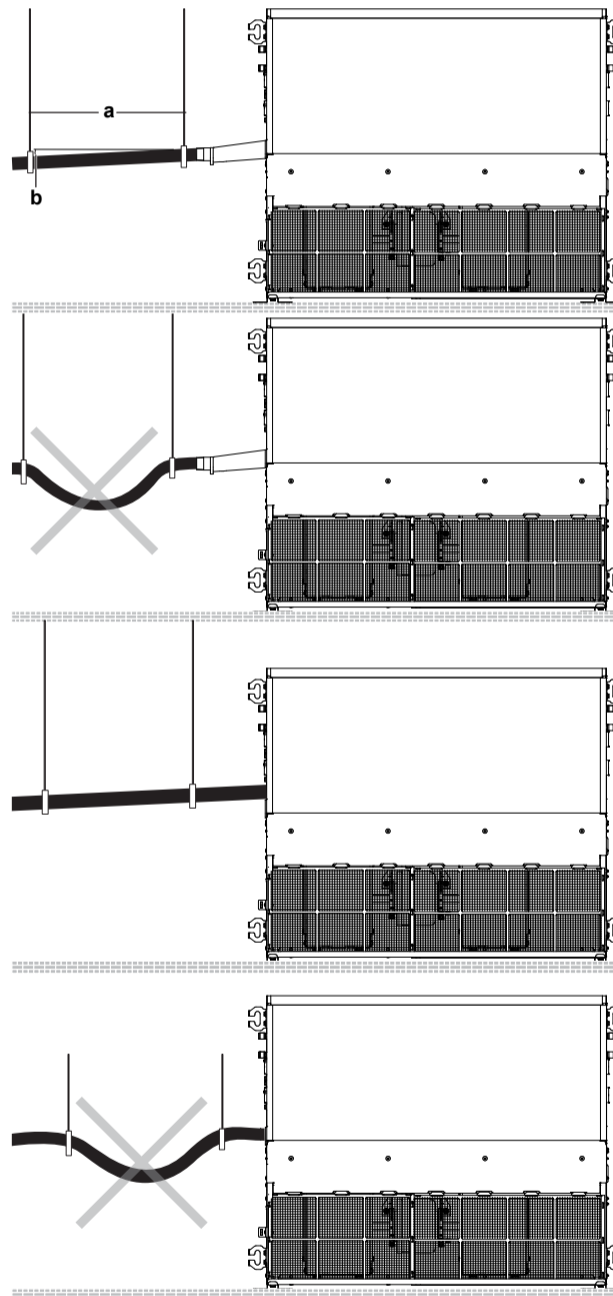
5.5 Connecting the drain piping

5.5.1 To install the drain piping to the unit

Horizontal installation



Vertical installation



a Hanging bar
b $\geq 1/100$ gradient

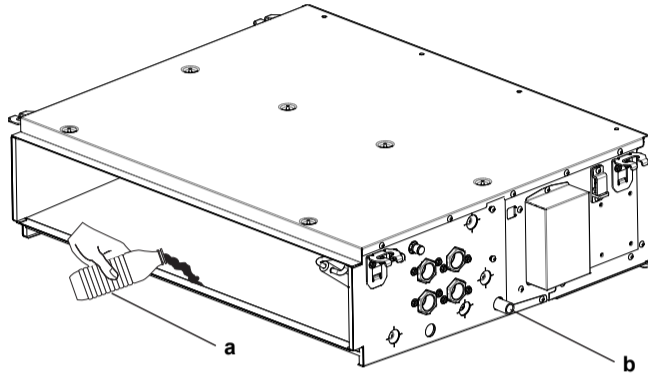
Keep piping as short as possible and slope it downwards at a gradient of at least 1/100 so that air does not remain trapped inside the pipe.

6 Commissioning

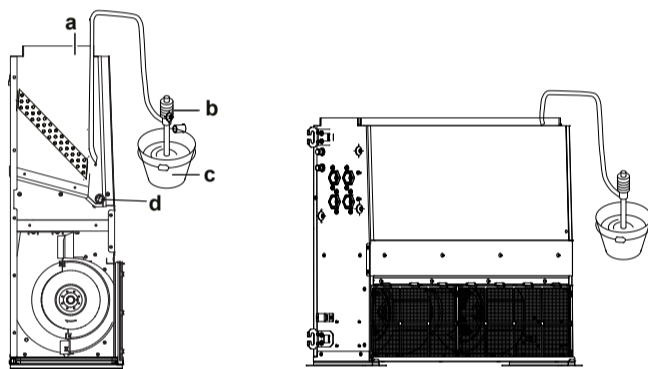
5.5.2 To check the drain piping

After the drain piping work is finished, check if drainage flows smoothly.

- 1 Add approximately 1 liter of water gradually through the air outlet.



- a Plastic watering bottle
- b Drain socket



- a Air outlet
- b Portable pump
- c Bucket
- d Drain socket

- 2 Check the drainage flow and confirm the drain operation looking at the drain socket.

6 Commissioning

Please provide the eco design data according to (EU)2016/2281 to the customer. This data can be found in the installer reference guide or via the Daikin website.



NOTICE

ALWAYS operate the unit with thermistors and/or pressure sensors/switches. If NOT, burning of the compressor might be the result.

6.1 To perform a test run

After installation, the installer is obliged to verify correct operation. In case something is wrong with the unit and it does not operate, contact your local dealer.



NOTICE

Do not interrupt the test run.



NOTICE

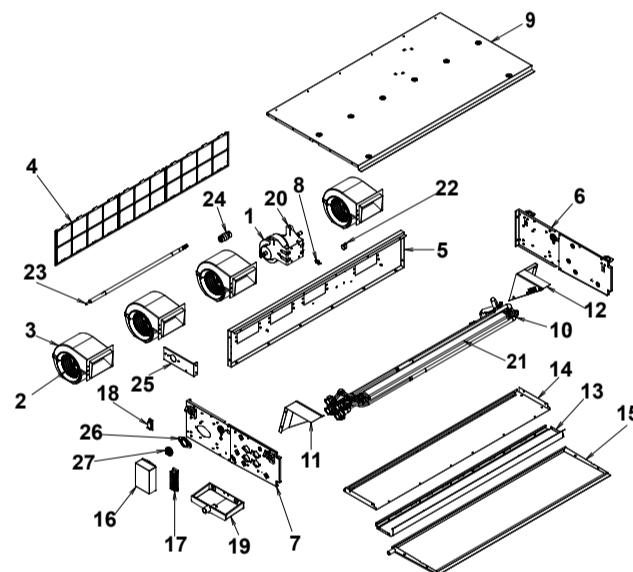
Do NOT try to dismantle the system yourself: dismantling of the system, treatment of the refrigerant, oil and other parts MUST comply with applicable legislation. Units MUST be treated at a specialised treatment facility for reuse, recycling and recovery.



WARNING

Provide adequate measures to prevent that the unit can be used as a shelter by small animals. Small animals that make contact with electrical parts can cause malfunctions, smoke or fire.

Use proper tool for removing the screws. The product can be disassembled as shown below.



FWE-D Recycle instruction list

Materials	Item
Electrical part (fan motor + capacitor)	1
Aluminium (fin) + copper (tube) + galvanized steel (plate) + brass	10
Plastic	2, 18, 8, 22, 27
Plastic + metal	3, 17, 24
Plastic (frame) + plastic (net)	4
Galvanized steel	5, 9, 13, 14, 16, 20, 23, 25, 26
Galvanized steel + plastic foam	6, 7, 11, 12, 15, 19
Plastic foam	21

7 Maintenance and service

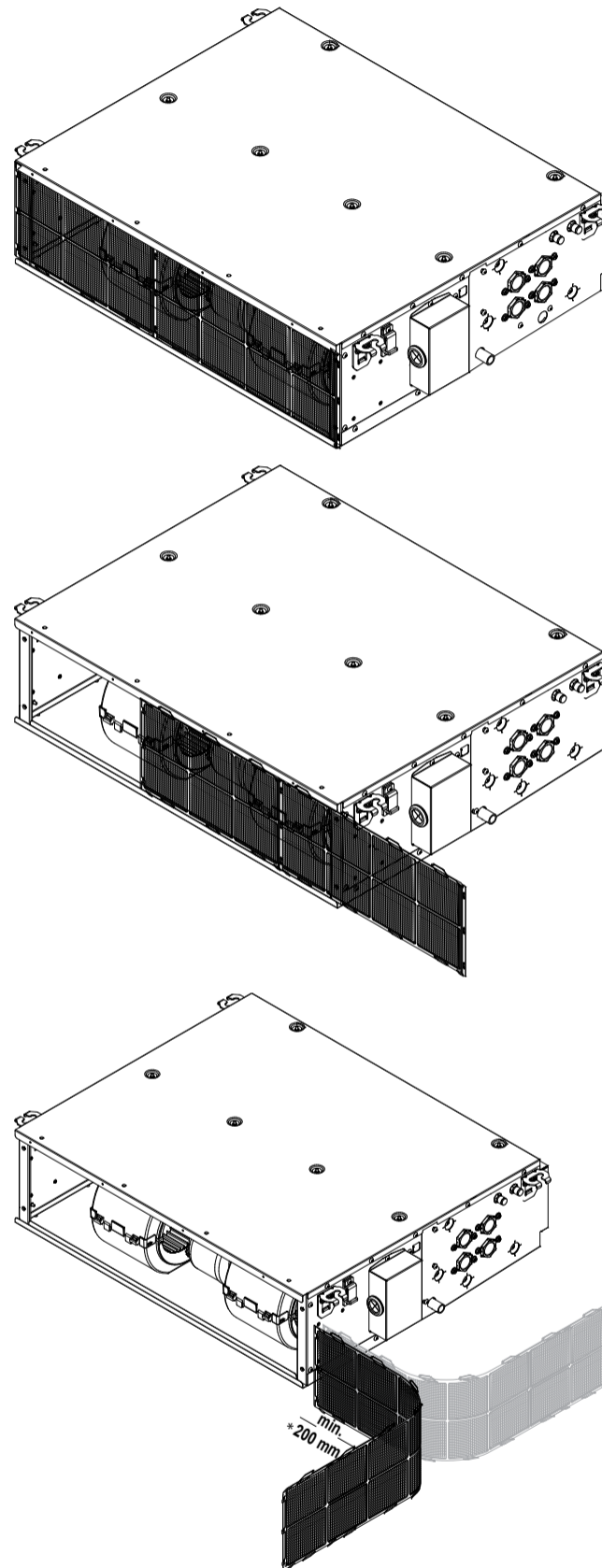
6.2 Checklist before commissioning

After the installation of the unit, first check the items listed below. Once all checks are fulfilled, the unit must be closed. Power-up the unit after it is closed.

<input type="checkbox"/>	Installation Check that the unit is properly installed, to avoid abnormal noises and vibrations when starting up the unit.
<input type="checkbox"/>	Drainage Make sure drainage flows smoothly. Possible consequence: Condensate water might drip.
<input type="checkbox"/>	Power supply voltage Check the power supply voltage on the local supply panel. The voltage MUST correspond to the voltage on the identification label of the unit.
<input type="checkbox"/>	Earth wiring Be sure that the earth wires have been connected properly and that the earth terminals are tightened.
<input type="checkbox"/>	Fuses, circuit breakers, or protection devices Check that the fuses, circuit breakers, or the locally installed protection devices are of the size and type specified in "4.4 Preparing electrical wiring" on page 6. Be sure that neither a fuse nor a protection device has been bypassed.
<input type="checkbox"/>	Internal wiring Visually check the electrical component box and the inside of the unit for loose connections or damaged electrical components.
<input type="checkbox"/>	Damaged equipment Check the inside of the unit on damaged components or squeezed pipes.
<input type="checkbox"/>	Air inlet/outlet Check that the air inlet and outlet of the unit is NOT obstructed by paper sheets, cardboard, or any other material.

Horizontal installation

Remove the filter by sliding.



7 Maintenance and service

NOTICE

Maintenance **MUST** be done by an authorized installer or service agent.

We recommend performing maintenance at least once a year. However, applicable legislation might require shorter maintenance intervals.

7.1 To clean the air filter

When

- Clean every 6 months. If the air in the room is extremely contaminated, increase the cleaning frequency.
- If the dirt becomes impossible to clean, change the air filter with original equipment.

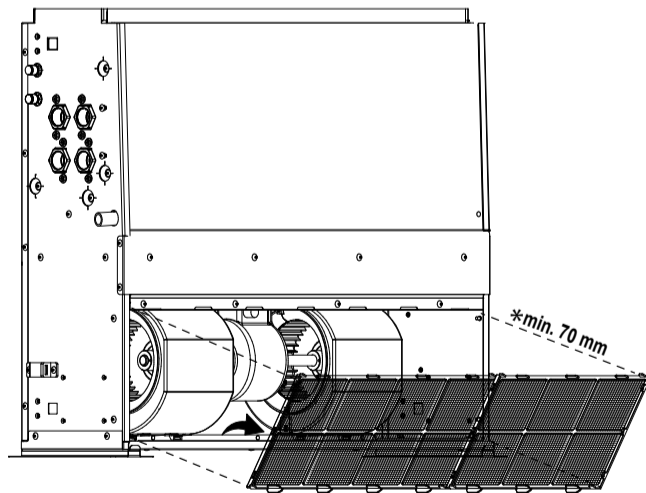
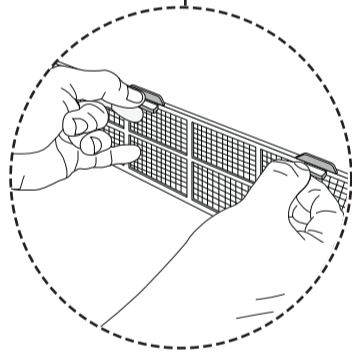
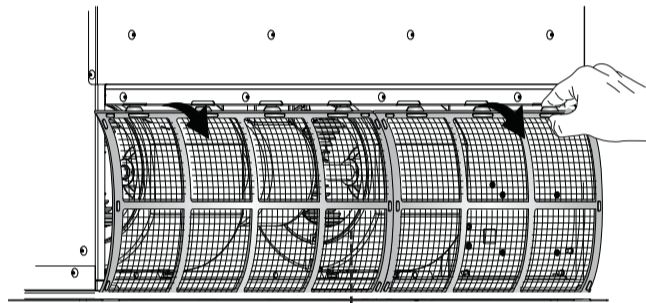
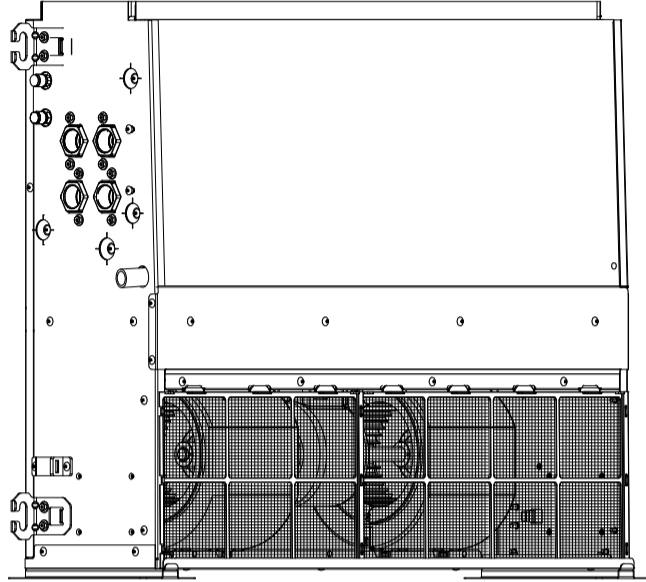
How

- 1 Switch off the power supply.
- 2 The air filter can be installed in 1 of 2 locations on this product (side and bottom). Remove the filter by sliding as shown below.

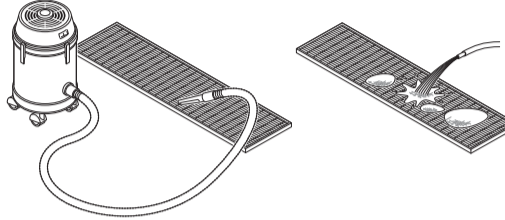
7 Maintenance and service

Vertical installation

Push the tabs at the filter and pull it back.



- 3 Use a vacuum cleaner or wash air filter with water. When the air filter is very dirty, use a soft brush and neutral detergent.



- 4 Set the air filter back to its original position.

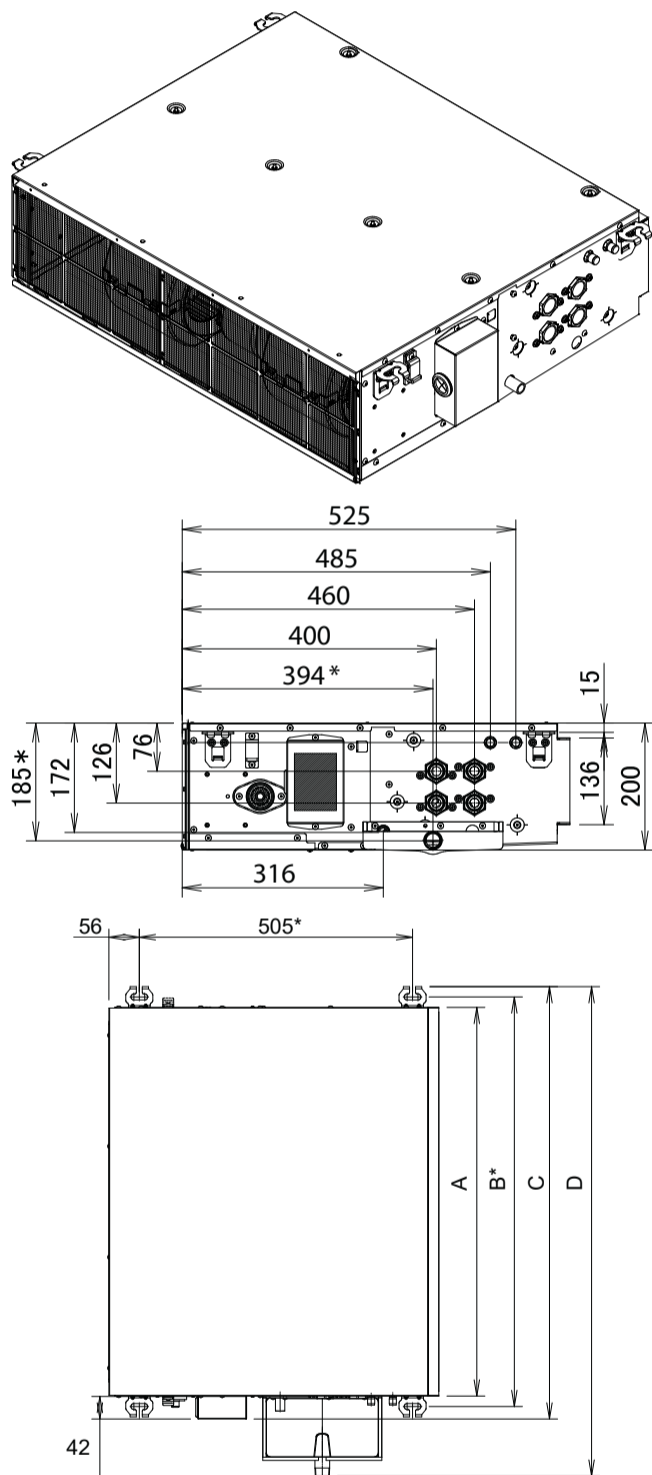
8 Technical data

8 Technical data

- A **subset** of the latest technical data is available on the regional Daikin website (publicly accessible).
- The **full set** of latest technical data is available on the Daikin Business Portal (authentication required).

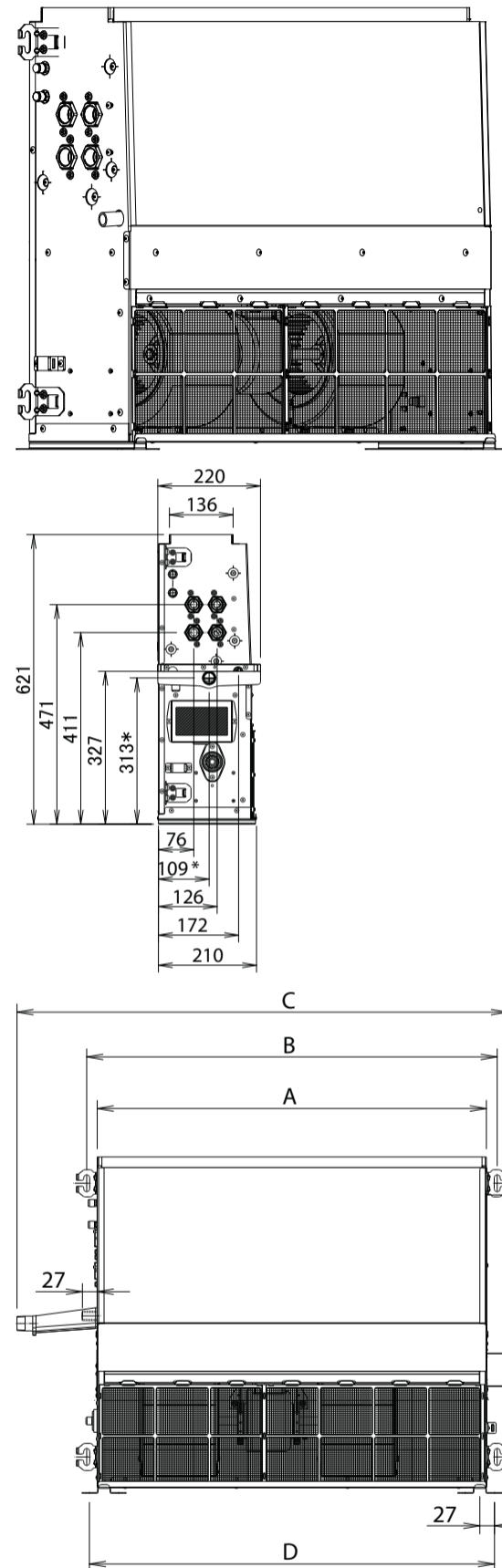
8.1 Dimensions

Horizontal outlook



Units: mm	A	B	C	D
FWE03~05	719	757	799	909
FWE06	919	957	999	1109
FWE07~11	1119	1157	1199	1309

Vertical outlook



Unit: mm	A	B	C	D
FWE03~05	719	757	909	747
FWE06	919	957	1109	947
FWE07~11	1119	1157	1309	1147

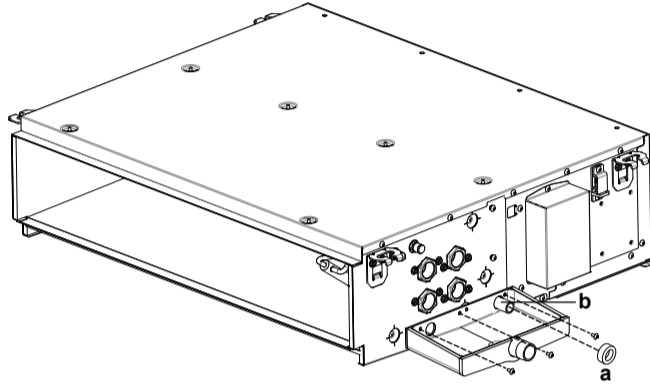
8 Technical data

Adjustable drain pan (horizontal)

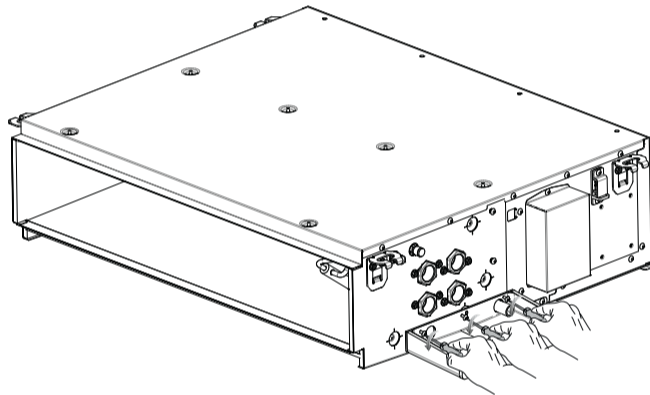


CAUTION

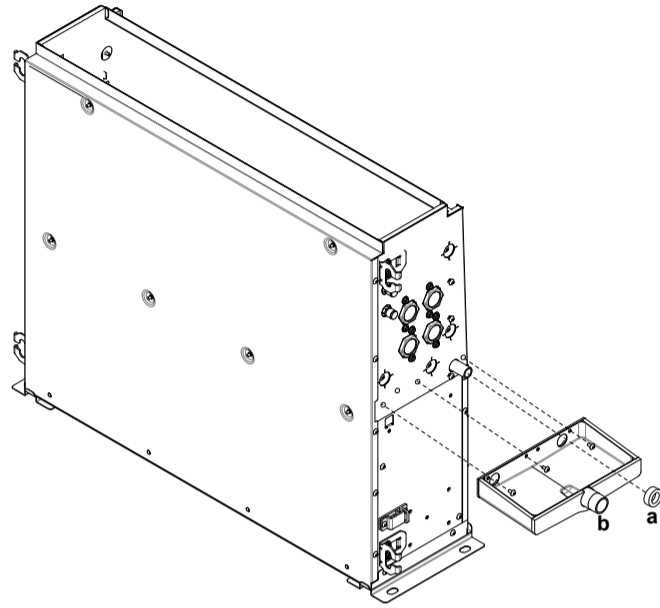
Make sure to attach the drain socket rubber after installing the additional drain pan. Otherwise condensation on the main unit or water pipes, air filter dirt or drain blockage may cause dripping, resulting in fouling or failure of the object concerned.



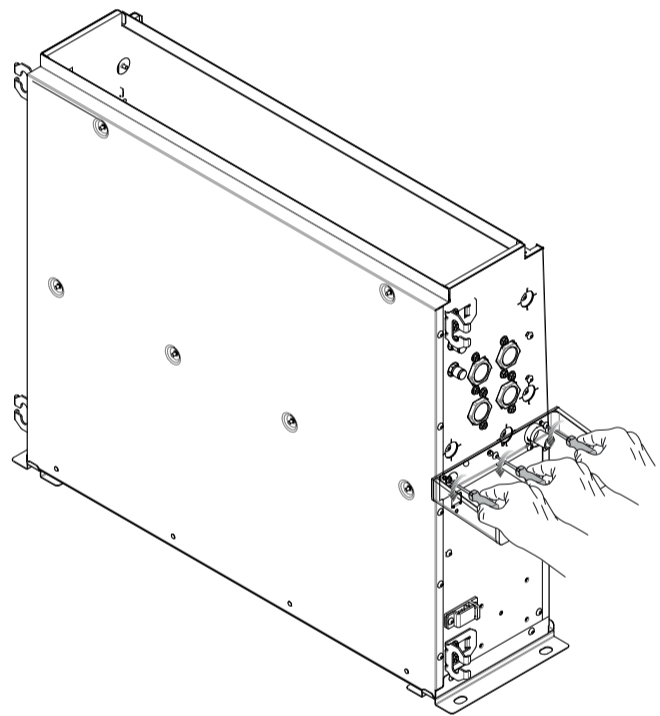
- a Drain socket rubber
- b Additional drain socket



Adjustable drain pan (vertical)




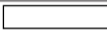



- a Drain socket rubber
- b Additional drain socket



8 Technical data

8.2 Wiring diagram

On terminal

English	Translation
	Connection
X1M	Main terminal
-----	Field supply
	PCB
	Protective earth
	Earth
	Field wire

Fan motor cable

WHT	White
GRN	Green
RED	Red
ORG	Orange
BRN	Brown
YLW	Yellow
BLU	Blue
GRN/YLW	Green/yellow
C1	Capacitor
F1U	Fuse
X1M	Terminal strip
M	Fan motor

8.3 Information requirements for Eco Design

Follow the steps below to consult the Energy Label – Lot 21 data of the unit and outdoor/indoor combinations.

- 1 Open the following webpage: <https://energylabel.daikin.eu/>
- 2 To continue, choose:
 - "Continue to Europe" for the international website.
 - "Other country" for a country related site.

Result: You are directed to the "Seasonal efficiency" webpage.

- 3 Under "Eco Design – Ener LOT 21", click "Generate your data".

Result: You are directed to the "Seasonal efficiency (LOT 21)" webpage.

- 4 Follow the instructions on the webpage to select the correct unit.

Result: When the selection is done, the LOT 21 datasheet can be viewed as a PDF or a HTML webpage.



INFORMATION

Other documents (e.g. manuals, ...) can also be consulted from the resulting webpage.

Inhaltsverzeichnis

Inhaltsverzeichnis

1	Über die Dokumentation	20
1.1	Informationen zu diesem Dokument.....	20
1.2	Bedeutung der Warnhinweise und Symbole	20
1.3	Allgemeines.....	21
2	Über die Verpackung	21
2.1	Übersicht: Über die Verpackung	21
2.2	Ventilator-Konvektor auspacken und handhaben	21
2.3	Zubehör vom Ventilator-Konvektor entfernen	21
3	Über die Einheit	21
3.1	Übersicht: Über die Geräte und Optionen	21
3.2	Identifikation	22
3.2.1	Typenschild: Ventilator-Konvektor	22
4	Vorbereitung	22
4.1	Übersicht: Vorbereitung.....	22
4.2	Den Ort der Installation vorbereiten	22
4.3	Vorbereiten der Wasserleitungen	23
4.4	Vorbereiten der Elektroinstallation	23
4.4.1	Verdrahtung vorbereiten	23
5	Installation	24
5.1	Den Ventilator-Konvektor montieren	24
5.1.1	Horizontale Installation.....	24
5.1.2	Vertikale Installation.....	25
5.2	Wechsel von horizontaler zur vertikalen Installation	26
5.3	Anschließen der Wasserleitungen.....	26
5.3.1	So schließen Sie die Wasserleitungen an	27
5.3.2	Wasserkreislauf befüllen	27
5.4	Anschließen der Kabel	27
5.4.1	Über das Anschließen der elektrischen Leitungen	27
5.4.2	Richtlinien zum Anschließen der elektrischen Leitungen	27
5.4.3	Elektrokabel am Ventilator-Konvektor anschließen	28
5.4.4	Richtung der elektrischen Verkabelung ändern	28
5.5	Abflussrohr anschließen	30
5.5.1	Abflussrohr an der Einheit anschließen	30
5.5.2	Abflussrohr kontrollieren	31
6	Inbetriebnahme	31
6.1	Probelauf durchführen.....	31
6.2	Checkliste vor Inbetriebnahme.....	32
7	Instandhaltung und Wartung	32
7.1	Luftfilter reinigen.....	32
8	Technische Daten	34
8.1	Abmessungen	34
8.2	Schaltplan.....	36
8.3	Erforderliche Daten für Eco-Auslegung.....	37

1 Über die Dokumentation

1.1 Informationen zu diesem Dokument

Zielgruppe

Autorisierte Monteure



INFORMATION

Dieses Gerät ist für die Nutzung durch erfahrene oder geschulte Anwender in der Leichtindustrie oder in landwirtschaftlichen Betrieben oder durch Laien in gewerblichen Betrieben oder privaten Haushalten konzipiert.

Dokumentationssatz

Dieses Dokument ist Teil eines Dokumentationssatzes. Der vollständige Satz besteht aus:

Neueste Ausgaben der mitgelieferten Dokumentation können auf der regionalen Daikin-Webseite oder auf Anfrage bei Ihrem Händler verfügbar sein.

Die Original-Dokumentation ist auf Englisch verfasst. Bei der Dokumentation in anderen Sprachen handelt es sich um Übersetzungen des Originals.

• Installationsanleitung für Ventilator-Konvektor Einheit:

- Installationsanweisungen
- Format: Papier (in der Packung des Ventilator-Konvektors)

1.2 Bedeutung der Warnhinweise und Symbole



GEFAHR

Weist auf eine Situation hin, die zum Tod oder schweren Verletzungen führt.



GEFAHR: STROMSCHLAGGEFAHR

Weist auf eine Situation hin, die zu einem Stromschlag führen kann.



GEFAHR: VERBRENNUNGSGEFAHR

Weist auf eine Situation hin, die aufgrund extrem hoher oder niedriger Temperaturen zu Verbrennungen führen kann.



GEFAHR: EXPLOSIONSGEFAHR

Weist auf eine Situation hin, die zu einer Explosion führen kann.



WARNUNG

Weist auf eine Situation hin, die zum Tod oder schweren Verletzungen führen kann.



WARNUNG: ENTFLAMMBARES MATERIAL



ACHTUNG

Weist auf eine Situation hin, die zu leichten oder mittelschweren Körperverletzungen führen kann.



HINWEIS

Weist auf eine Situation hin, die zu Sachschäden führen kann.



INFORMATION

Weist auf nützliche Tipps oder zusätzliche Informationen hin.

Symbol	Erklärung
	Lesen Sie vor der Installation erst die Installations- und Betriebsanleitung sowie die Verkabelungsanweisungen.
	Lesen Sie vor der Durchführung von Wartungs- und Servicearbeiten erst das Wartungshandbuch.
	Weitere Informationen finden Sie in der Referenz für Installateure und Benutzer.

2 Über die Verpackung

1.3 Allgemeines

Wenn Sie NICHT sicher sind, wie die Einheit zu installieren und zu betreiben ist, wenden Sie sich an Ihren Händler.



HINWEIS

Unsachgemäßes Installieren oder Anbringen des Gerätes oder von Zubehörteilen kann zu Stromschlag, Kurzschluss, Leckagen, Brand und weiteren Schäden führen. Verwenden Sie nur von Daikin hergestellte oder zugelassene Zubehörteile, optionale Ausrüstungen und Ersatzteile.



WARNUNG

Stellen Sie sicher, dass die Installation, die Tests und die verwendeten Materialien der gültigen Gesetzgebung entsprechen (zusätzlich zu den in der Daikin Dokumentation aufgeführten Anweisungen).



ACHTUNG

Tragen Sie während der Installation und Wartung des Systems angemessene persönliche Schutzausrüstungen (Schutzhandschuhe, Sicherheitsbrille etc.).



WARNUNG

Entfernen und entsorgen Sie Kunststoffverpackungen unzugänglich für andere Personen und insbesondere Kinder. Andernfalls besteht Erstickungsgefahr.



WARNUNG

Treffen Sie geeignete Maßnahmen, um zu verhindern, dass das Gerät von Kleinlebewesen als Unterschlupf verwendet wird. Kleinlebewesen, die in Kontakt mit elektrischen Teilen kommen, können Funktionsstörungen, Rauch oder Feuer verursachen.



ACHTUNG

Berühren Sie NIEMALS den Lufteintritt oder die Aluminiumlamellen des Geräts.



HINWEIS

- Oben auf dem Gerät KEINE Utensilien oder Gegenstände ablegen.
- NICHT auf das Gerät steigen oder auf ihm sitzen oder stehen.



GEFAHR: STROMSCHLAGEFAHR

- Achten Sie darauf, dass das System korrekt geerdet wird.
- Schalten Sie erst die Stromzufuhr ab, bevor Sie Wartungsarbeiten vornehmen.
- Erst die Abdeckung des Schaltkastens installieren, bevor Sie die Stromversorgung einschalten.



ACHTUNG

- Prüfen Sie, ob der Platz der Installation tragfähig genug ist, um das Gewicht der Einheit zu tragen. Eine mangelhafte Installation ist gefährlich. Es können auch Vibrationen dadurch verursacht werden oder ungewöhnliche Betriebsgeräusche.
- Achten Sie darauf, dass genügend Platz für Wartungsarbeiten ist.
- Die Einheit NICHT so installieren, dass sie Kontakt mit der Decke oder einer Wand hat, weil dadurch Vibrationen entstehen können.



GEFAHR: STROMSCHLAGEFAHR

Berühren Sie die Ventilator-Konvektoren nicht mit feuchten Händen. Sonst besteht Stromschlaggefahr.

2 Über die Verpackung

2.1 Übersicht: Über die Verpackung

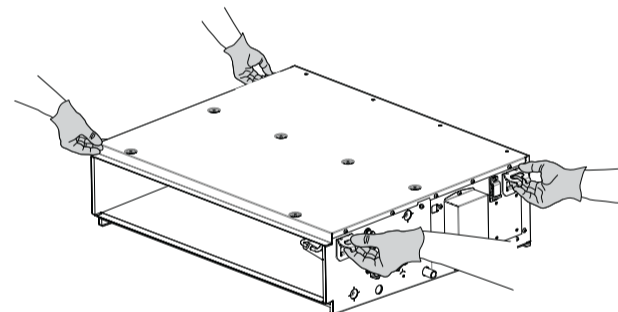
Bitte auf Folgendes achten:

- Das Gerät MUSS bei Anlieferung auf Beschädigungen überprüft werden. Jegliche Beschädigungen MÜSSEN unverzüglich dem Schadensbearbeiter der Spedition mitgeteilt werden.
- Bringen Sie das verpackte Gerät so nahe wie möglich an den endgültigen Aufstellungsort, um eine Beschädigung während des Transports zu vermeiden.
- Überlegen Sie sich im Voraus, auf welchem Wege die Einheit am besten zum Installationsort gebracht werden kann.

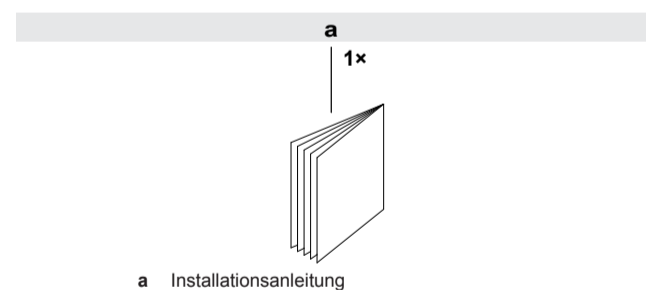
2.2 Ventilator-Konvektor auspacken und handhaben

Verwenden Sie zum Anheben der Einheit eine Schlinge aus weichem Material oder Schutzplatten zusammen mit einem Seil. So verhindern Sie, dass die Einheit beschädigt oder außen zerkratzt wird.

- 1 Halten Sie die Einheit zum Anheben an der Aufhängung, ohne Druck auf andere Bauteile auszuüben. Dies gilt besonders für die Ablassrohre und Wärmedämmung.



2.3 Zubehör vom Ventilator-Konvektor entfernen



3 Über die Einheit

3.1 Übersicht: Über die Geräte und Optionen

Dieses Kapitel informiert über folgende Punkte:

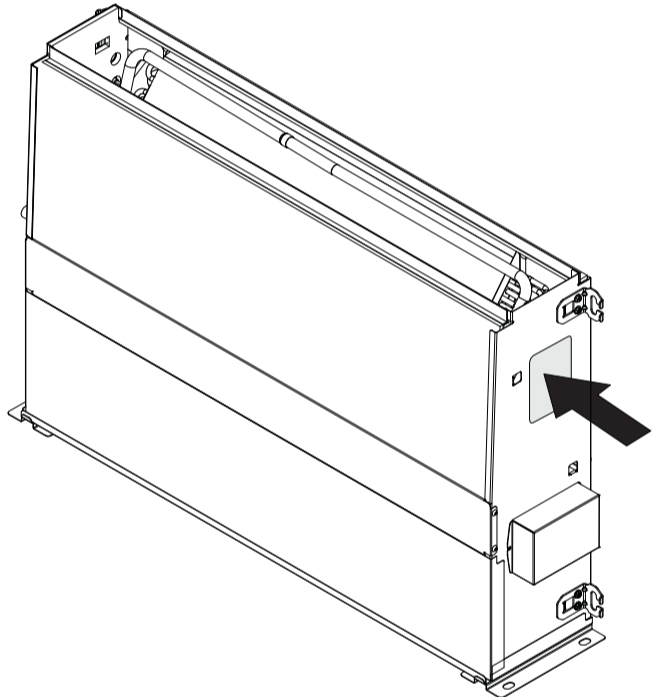
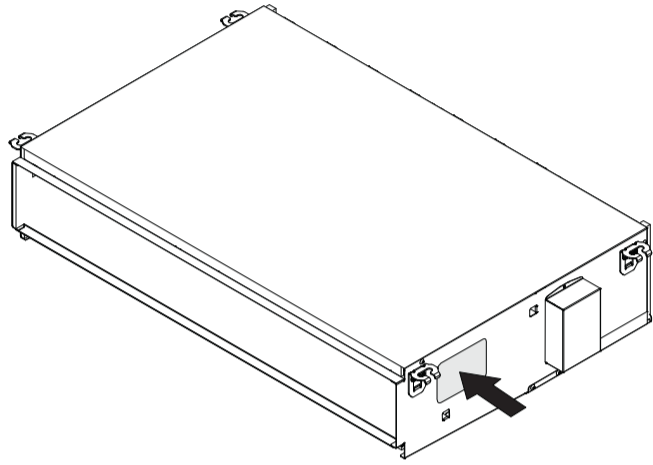
- Den Ventilator-Konvektor korrekt bestimmen.

4 Vorbereitung

3.2 Identifikation

3.2.1 Typenschild: Ventilator-Konvektor

Wo?



Modellkennung

Beispiel: FW E 03 D A F N 5 V3 — L

Code	Beschreibung
FW	Wasser-Ventilator-Konvektor
E	Flex. niedriger statischer Druck ohne Gehäuse
03	Leistungsklasse: 03=1,5 kW
D	Großer Modellwechsel (A to Z)
A	Kleiner Wechsel
F	4-Rohr
N	Ohne Ventil
5	Hendek Werk
V3	Ventilatormotor / einphasig / 50 Hz / 220~240 V
—	Keine Option

Code	Beschreibung
L	S: Linksseitig Wasser- – linksseitig Stromanschluss L: Linksseitig Wasser- – rechtsseitig Stromanschluss T: Rechtsseitig Wasser- – rechtsseitig Stromanschluss R: Rechtsseitig Wasser- – linksseitig Stromanschluss

4 Vorbereitung

4.1 Übersicht: Vorbereitung

In diesem Kapitel wird beschrieben, was Sie wissen und was Sie tun müssen, bevor Sie zur Baustelle gehen.

Es enthält Informationen zu folgenden Punkten:

- Den Ort der Installation vorbereiten
- Wasserleitungen vorbereiten
- Elektrische Verkabelung vorbereiten

4.2 Den Ort der Installation vorbereiten

⚠️ WARNUNG

Legen Sie KEINE Gegenstände unter die Ventilatereinheit, die nicht nass werden dürfen. Andernfalls kann Kondenswasser an der Haupteinheit oder den Wasserleitungen sowie ein verschmutzter Luftfilter oder verstopfter Abfluss zur Tropfenbildung führen, sodass die betreffenden Gegenstände verschmutzen oder beschädigt werden.

ⓘ HINWEIS

Wenden Sie sich an Ihren Händler, um sicherzustellen, dass der externe statische Druck der Einheit nicht überschritten wird.

Die Einheit darf in nachfolgend aufgeführten Räumen nicht installiert oder betrieben werden.

- Räume mit einem Aufkommen an Mineralöl, Öldampf oder Ölspritzern wie z. B. Küchen. (Die Kunststoffteile können beschädigt werden.)
- Räume mit ätzenden Gasen wie Schwefelgas. Kupferleitungen und gelötete Teile könnten korrodieren.
- Orte mit stark salzhaltiger Umgebungsluft (z. B. in Meeresnähe). Installationsstandorte mit starken Spannungsschwankungen (wie z.B. in Fabriken). In Fahrzeugen und auf Schiffen.
- An Orten mit Geräten oder Maschinen, die elektromagnetische Wellen abstrahlen. Elektromagnetische Wellen können das Steuerungssystem stören, was Funktionsstörungen der Anlage zur Folge haben kann.
- An Orten, an denen aufgrund ausströmender brennbarer Gase (Beispiel: Verdüner oder Benzin) oder in der Luft befindlicher Kohlenstofffasern oder entzündlicher Staubpartikel Brandgefahr besteht.

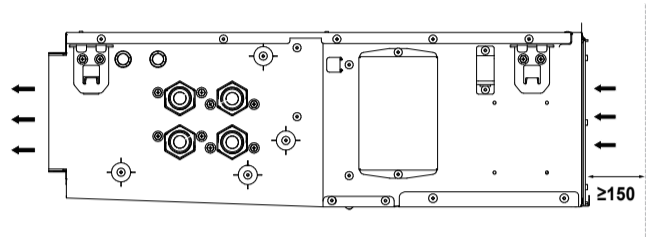
Wählen Sie einen Installationsort, der die folgenden Bedingungen erfüllt und der den Anforderungen des Kunden entspricht.

Für Wartungs- und Servicearbeiten sind ausreichend Abstände um die Einheit herum vorhanden. Der Platz um die Einheit herum lässt eine ausreichende Luftzirkulation und -verteilung zu (siehe benötigter Platz für die Installation).

4 Vorbereitung

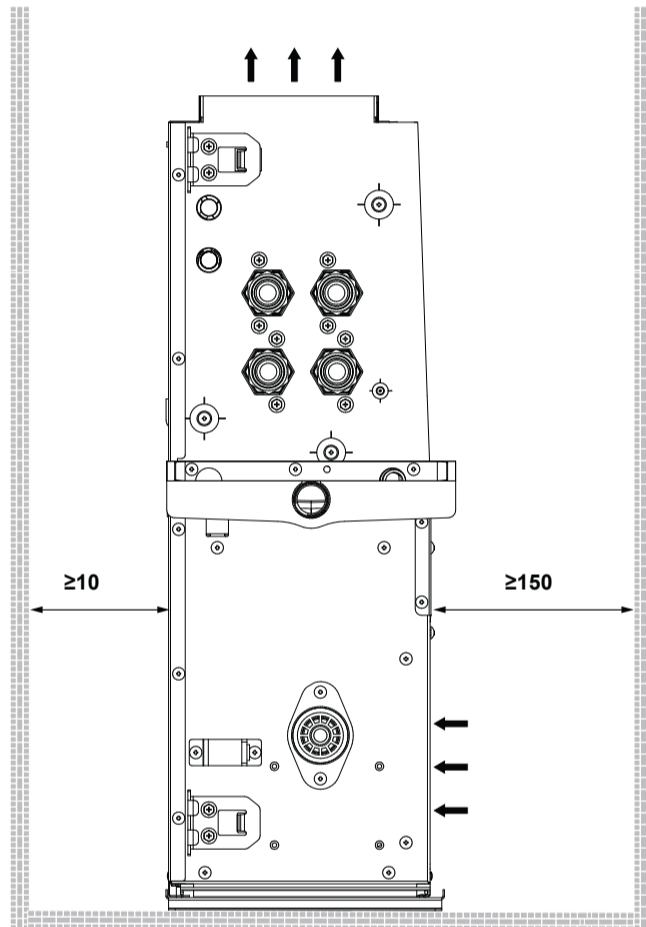
Horizontale Installation

Die Einheit muss mindestens 2,5 m vom Boden an der Decke hängend installiert werden.



Vertikale Installation

Der vertikale Platz zum zur Filter-Wartung muss wie abgebildet beachtet werden.



ACHTUNG

Verwenden Sie bei der vertikalen Installation keine Aufhängebolzen. Die vertikale Installation muss mit dem dafür vorgesehenen Einbausatz erfolgen (ESFH01DS).

4.3 Vorbereiten der Wasserleitungen

Die Einheit wird über ihren Wasser-Einlass und ihren Wasser-Auslass am Wasserkreislauf angeschlossen. Der Wasserkreislauf muss von einem qualifizierten Installateur angeschlossen werden und den geltenden gesetzlichen Vorschriften entsprechen.



HINWEIS

Die Einheit darf nur in einem geschlossenen Wasserkreislaufsystem betrieben werden. Der Einsatz in einem offenen Wasserkreislaufsystem kann zu übermäßiger Korrosion der Wasserleitungen führen.

Überprüfen Sie vor dem Anschluss an die Wasserleitungen die folgenden Punkte:

- Der maximale Wasserdruck beträgt 1 MPa.
- Die minimale Wassertemperatur beträgt 5°C.
- Die maximale Wassertemperatur beträgt 90°C.
- Achten Sie darauf, bauseitig nur Komponenten zu installieren, die dem Wasserdruck und der Temperatur standhalten.
- Sehen Sie im Wasserkreislauf die notwendigen Sicherheitsvorrichtungen vor, damit dass der Wasserdruck den maximal zulässigen Betriebsdruck nie übersteigt.
- Sorgen für einen ordnungsgemäßen Abfluss für das Druckentlastungsventil, damit kein Wasser zu stromführenden Teilen gelangen kann.
- Installieren Sie am Gerät Absperrventile, um die routinemäßigen Wartungsarbeiten ohne Entleeren des Systems zu ermöglichen.
- Sehen Sie an allen niedrigen Stellen des Systems Abflusshähne vor, um für Wartungszwecke eine vollständige Entleerung des Kreislaufs zu ermöglichen.
- Sehen Sie an allen hohen Stellen des Systems Entlüftungsventile vor. Diese sollten sich an leicht zugänglichen Stellen befinden.

4.4 Vorbereiten der Elektroinstallation

4.4.1 Verdrahtung vorbereiten



WARNUNG

- Verwenden Sie AUSSCHLIESSLICH Kabel mit Kupferadern.
- Es ist darauf zu achten, dass die bauseitige Verkabelung den dafür gültigen Gesetzen und Vorschriften entspricht.
- Die gesamte bauseitige Verkabelung MUSS gemäß dem Elektroschaltplan durchgeführt werden, der mit dem Produkt mitgeliefert wurde.
- Kabel und Kabelbündel NIEMALS quetschen. Darauf achten, dass Kabel NIEMALS mit Rohren oder scharfen Kanten in Berührung kommen. Darauf achten, dass auf die Kabelanschlüsse kein zusätzlicher Druck von außen ausgeübt wird.
- Unbedingt auf eine korrekte Erdung achten. Erden Sie das Gerät NICHT über ein Versorgungsrohr, einen Überspannungsableiter oder einen Telefon-Erdeleiter. Bei unzureichender Erdung besteht Stromschlaggefahr.
- Achten Sie darauf, dass das System für die Stromversorgung einen eigenen Stromkreis verwendet. Schließen Sie AUF KEINEN FALL andere Geräte an diesen Stromkreis an.
- Achten Sie darauf, dass alle erforderlichen Sicherungen und Schutzschalter installiert sind.
- Installieren Sie immer einen Fehlerstrom-Schutzschalter. Bei Missachtung dieser Regeln besteht Stromschlag- oder Brandgefahr.
- Achten Sie bei der Installation des Fehlerstrom-Schutzschalters darauf, dass er kompatibel ist mit dem Inverter (resistent gegenüber hochfrequente störende Interferenzen), um unnötiges Auslösen des Fehlerstrom-Schutzschalters zu vermeiden.

5 Installation

! HINWEIS

Das in diesem Handbuch beschriebene Gerät kann durch die Aussendung von Funkwellen elektronische Störungen verursachen. Das Gerät entspricht Spezifikationen, die für den Schutz gegen solche Art von Interferenzen für angemessen gelten. Es gibt jedoch keine Garantie, dass bei besonderen Installationsszenarien keinerlei Störung auftreten kann.

Darum wird empfohlen, bei der Installation des Gerätes und der Verlegung von Kabeln darauf zu achten, dass zu Stereoanlagen, PCs usw. ein hinreichender Abstand besteht.

! WARNUNG

Sämtliche bauseitigen Verkabelungen und Bauteile MÜSSEN von einem zugelassenen Elektriker installiert werden, und sie MÜSSEN den geltenden Vorschriften und Gesetzen entsprechen.



GEFAHR: STROMSCHLAGGEFAHR



! WARNUNG

Bei der festen Verkabelung MUSS ein Hauptschalter oder ein entsprechender Schaltmechanismus installiert sein, bei dem beim Ausschalten alle Pole getrennt werden. Die Installation muss den geltenden gesetzlichen Vorschriften entsprechen.

Elektrische Eigenschaften

	FWE-D
Phase	1N~
Frequenz	50 Hz
Spannungsbereich	220~240 V
Spannungstoleranz	±10%
Maximaler Betriebsstrom	0,46 A
Überstromsicherung	16 A

Spezifikationen zur bauseitigen Verkabelung

	Kabel	Größe (mm ²)	Länge
Stromversorgungsleitung	H05VV-U3G ^{(a)(b)}	Gemäß gesetzlichen Vorschriften ≤ 4,0	—
Fernbedienungs- und Übermittlungsverdrahtung	Ummanteltes Kabel, 2-adrig ^(c)	0,75~1,25	≤ 500 m ^(d)

^(a) Nur bei Verwendung geschützter Leitungskanäle. Falls kein Schutz vorhanden ist, H07RN-F verwenden.

^(b) Führen Sie die elektrische Verdrahtung durch ein Schutzrohr, um sie gegen äußere Beschädigungen zu schützen.

^(c) Verwenden Sie für die Fernbedienung doppelt isoliertes Kabel (Ummantelungsdicke: ≥ 1 mm), oder führen Sie die Kabel durch die Wand oder das Schutzrohr, sodass der Anwender nicht damit in Kontakt kommen kann.

^(d) Diese Länge ist die maximal zulässige Länge in einem System mit Gruppenregelung.

5 Installation

5.1 Den Ventilator-Konvektor montieren

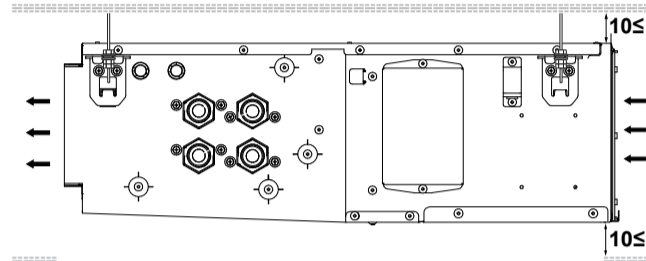
i INFORMATION

Der Abstand zwischen Decke und Einheit sollte mindestens 10 mm betragen, der Ansaugabstand mindestens 150 mm.

i INFORMATION

Bei allen oben aufgeführten Teilen handelt es sich um bauseitige Komponenten. Für von der Standardinstallation abweichende Installationsarten wenden Sie sich an Ihren nächsten Händler.

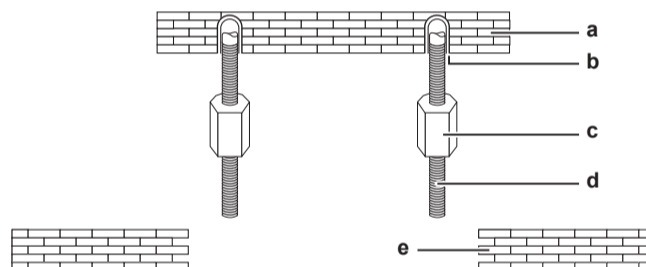
5.1.1 Horizontale Installation



- 1 Erstellen Sie an geeigneter Stelle eine Deckenöffnung für die Installation.

Gegebenenfalls muss die abgehängte Deckenkonstruktion verstärkt werden, um die Decke in Waage zu halten und Vibrationen zu verhindern. Wenden Sie sich für nähere Informationen an Ihr Bauunternehmen.

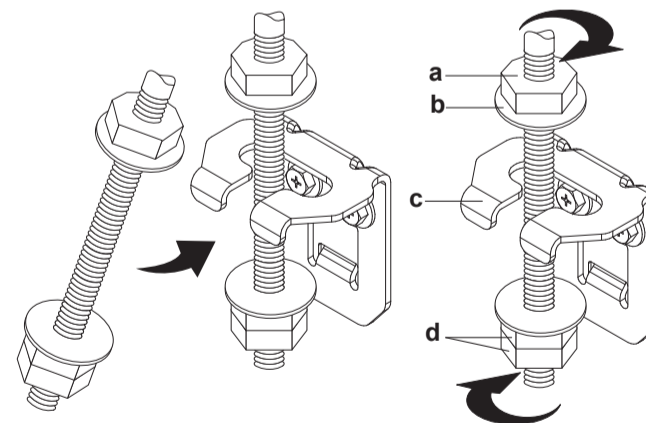
- 2 Bringen Sie die Aufhängebolzen an. Verwenden Sie Bolzen der Größen W3/8 oder M10. Verwenden Sie bei vorhandenen Decken Anker, bei neuen Decken hingegen eingelassene Gewindeinsatzbuchsen, eingelassene Anker oder andere bauseitige Teile, um die Decke zu verstärken, sodass diese das Gewicht der Einheit tragen kann. Überprüfen Sie die Punkte, die verstärkt werden müssen. Passen Sie den Abstand zur Decke an, bevor Sie fortfahren.



- a Deckenplatte
- b Anker
- c Langmutter oder Spanschraube
- d Aufhängebolzen
- e Abgehängte Decke

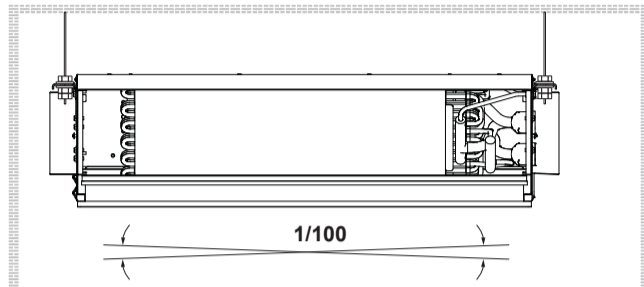
- 3 Installieren Sie die Einheit provisorisch.

Befestigen Sie den Aufhängebügel am Aufhängebolzen. Befestigen Sie die Einheit.



- a Mutter (bauseitig)
- b Unterlegscheibe (bauseitig)
- c Aufhängebügel
- d Doppelmutter (bauseitig)

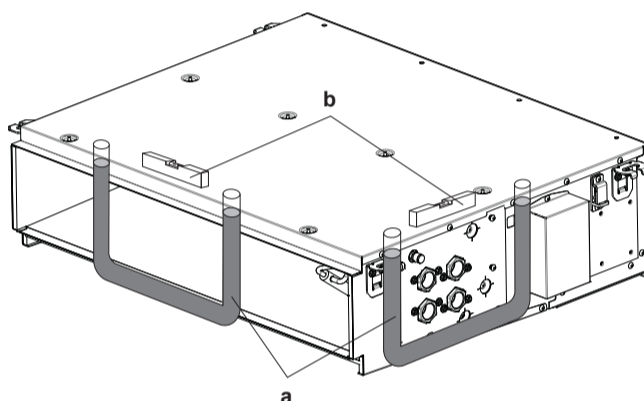
4 Richten Sie die Einheit auf die korrekte Einbauposition aus.



5 Überprüfen Sie, ob die Einheit horizontal ausgerichtet ist.

Die Einheit darf nicht geneigt installiert werden. Wenn die Einheit gegen die Fließrichtung des Kondenswassers geneigt ist (falls die Abflussrohrseite höher ist), kann Wasser austreten.

Prüfen Sie an allen vier Ecken mit einer Wasserwaage oder einem wassergefüllten, transparenten Schlauch, ob die Einheit gerade ausgerichtet ist.



a Schlauch
b Wasserwaage

5.1.2 Vertikale Installation



HINWEIS

Verwenden Sie beim Verbinden der Rohrleitungen KEINE übermäßige Kraft. Eine Verformung der Rohrleitungen kann zur Fehlfunktion der Einheit führen. Ziehen Sie alle Schrauben mit einem Anzugsmoment von 3 N•m an.

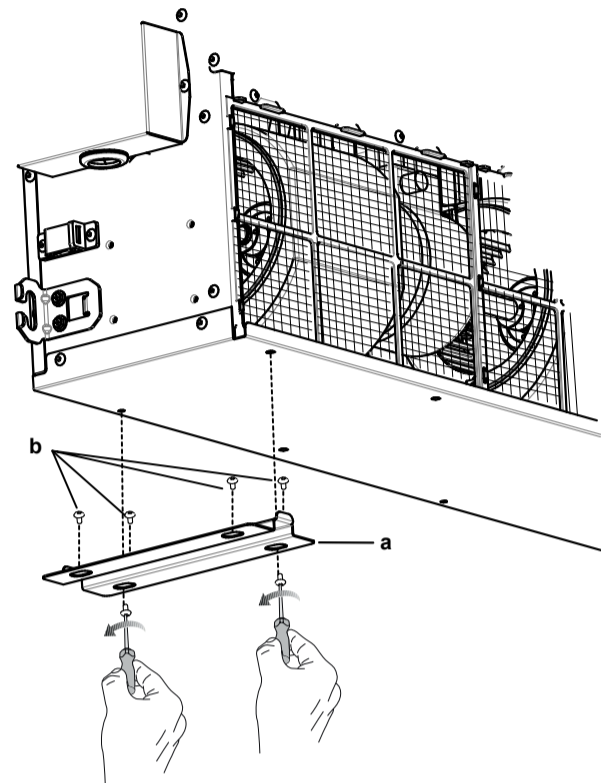


HINWEIS

Für die vertikale Installation sollte der optionale Montagesatz (ESFH01DS) von einem örtlichen Händler bereitgestellt werden.

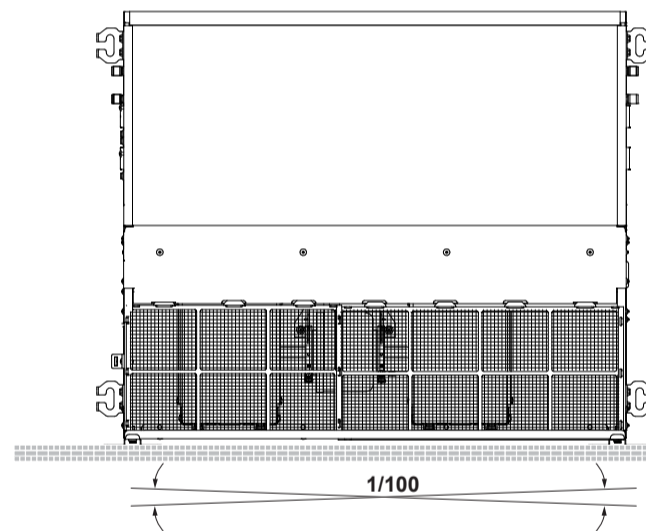
1 Installieren Sie die Einheit provisorisch.

Installieren die Einheit mittels Montagesockeln auf dem Boden. Achten Sie darauf, dass die Einheit sicher auf dem Boden steht. Falls die Einheit umfallen könnte, befestigen Sie sie mithilfe von Schrauben in den Montagesockeln am Boden.



a Montagesockel
b Befestigungsschraube

2 Richten Sie die Einheit auf die korrekte Einbauposition aus.



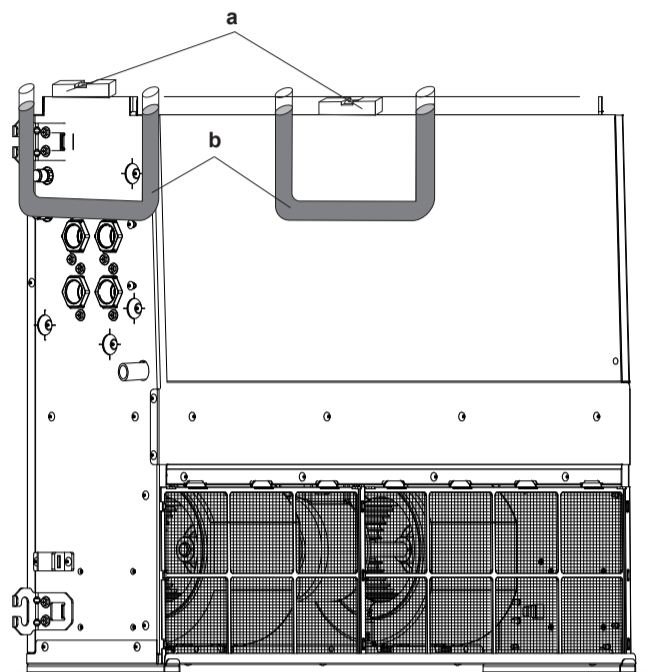
a Wasserwaage
b Schlauch

3 Überprüfen Sie, ob die Einheit horizontal ausgerichtet ist.

Die Einheit darf nicht geneigt installiert werden. Wenn die Einheit gegen die Fließrichtung des Kondenswassers geneigt ist (falls die Abflussrohrseite höher ist), kann Wasser austreten.

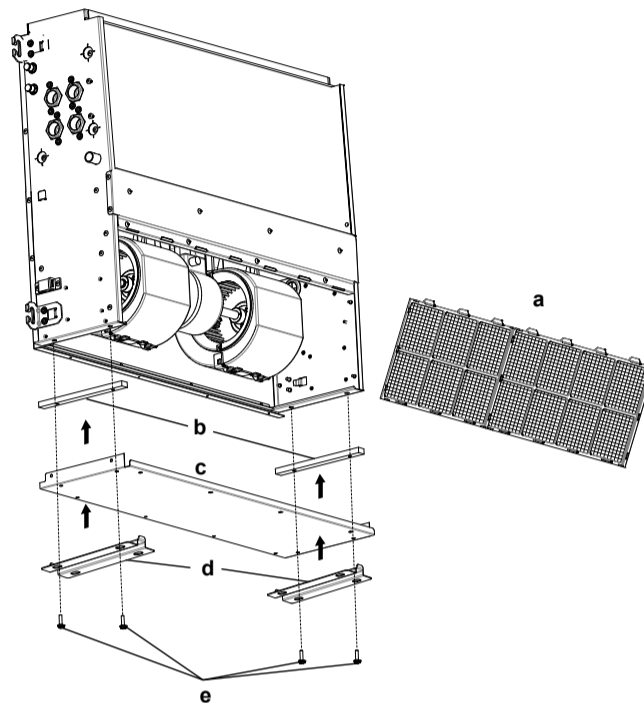
Prüfen Sie an allen vier Ecken mit einer Wasserwaage oder einem wassergefüllten, transparenten Schlauch, ob die Einheit gerade ausgerichtet ist.

5 Installation



6 Bringen Sie den Luftfilter am Ansaugitter der Wartungsblende an.

7 Damit ist die Einheit für die vertikale Installation vorbereitet.



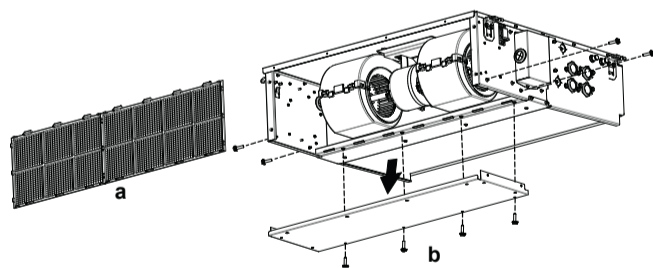
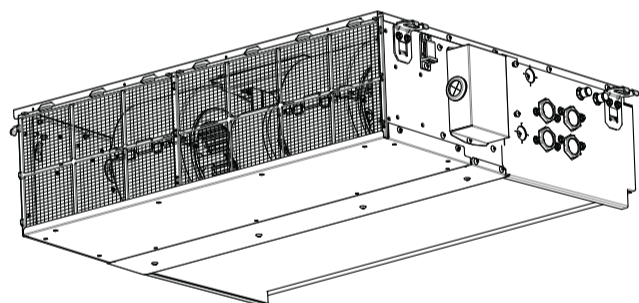
5.2 Wechsel von horizontaler zur vertikalen Installation

⚠ ACHTUNG

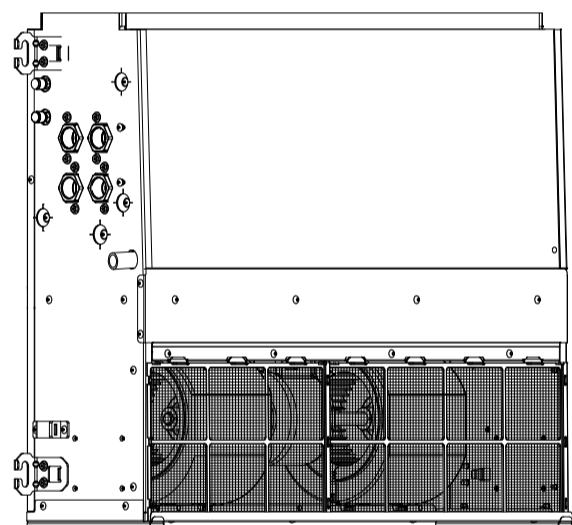
Achten Sie darauf, dass die Einheit in allen Richtungen in Waage ist.

Befolgen Sie beim Wechsel von horizontaler zur vertikalen Installation die nachfolgenden Anweisungen.

- 1 Entfernen Sie den Luftfilter.
- 2 Entfernen Sie die Schrauben der Wartungsblende und ziehen Sie diese ab.



- 3 Setzen Sie die Gummiabstützung (im optionalen Montagesatz enthalten) zwischen seitlicher Blende und den unteren Flanschen ein.
- 4 Bringen Sie die zuvor entfernte Wartungsblende an der Unterseite wieder an.
- 5 Befestigen Sie mit den 4 Schrauben aus dem Montagesatz für die vertikale Installation 2 Montagesockel an der Wartungsblende.



- a Luftfilter
- b Wartungsblende
- c Montagesockel
- d Schrauben
- e Luftfilter

5.3 Anschließen der Wasserleitungen

⚠ HINWEIS

Verwenden Sie beim Verbinden der Rohrleitungen KEINE übermäßige Kraft. Das könnte die Rohrleitungen verformen. Eine Verformung der Rohrleitungen kann zur Fehlfunktion der Einheit führen.

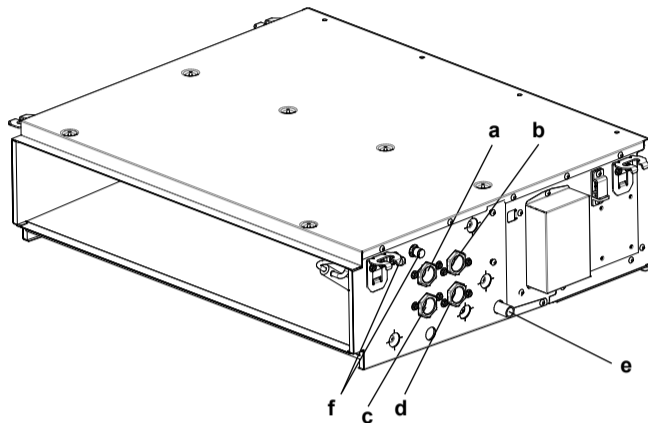
⚠ ACHTUNG

Zur Regelung des Wasserkreislaufs in der Einheit sollten stets Ventile genutzt werden. Die Ventile sollte vom Typ NC (Schließer) sein, sodass sie geschlossen sind, wenn die Einheit nicht in Betrieb sind. Hierdurch wird die Bildung von Kondenswasser vermieden.

5 Installation

5.3.1 So schließen Sie die Wasserleitungen an

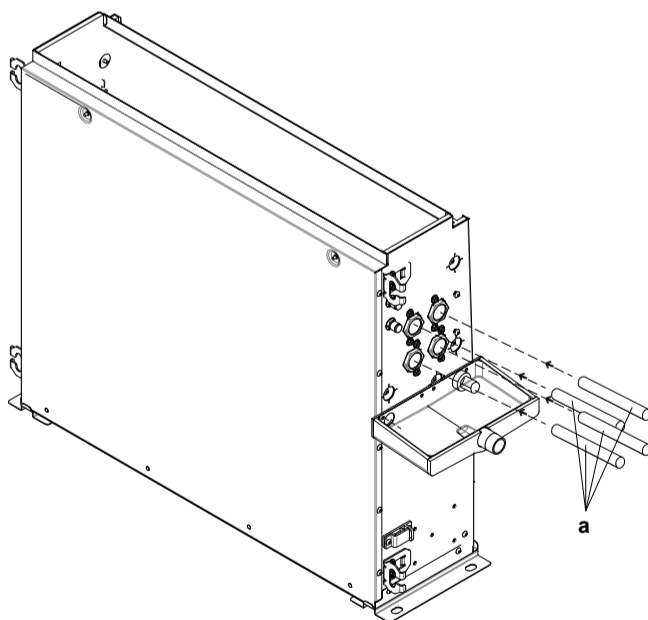
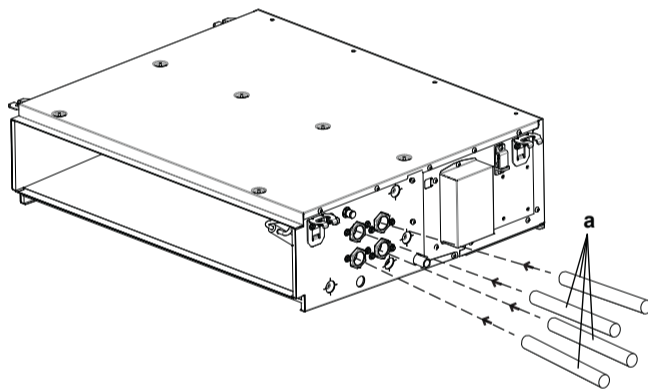
- 1 Verbinden Sie die einlauf- und auslaufseitigen Wasseranschlüsse des Ventilator-Konvektors mit den Wasserleitungen.



- a Auslassrohr-Anschluss (3/4" Außengewinde)
- b Kaltwasser-Einlass (3/4" Innengewinde BSP)
- c Kaltwasser-Auslass (3/4" Innengewinde BSP)
- d Warmwasser-Einlass (3/4" Innengewinde BSP)
- e Warmwasser-Auslass (3/4" Innengewinde BSP)
- f Entlüftungsventil

Hinweis: Verwenden Sie bei direktem Anschluss der Einheit ein 3/4"-Rohr mit Außengewinde BSP.

- 2 Der gesamte Wasserkreislauf muss einschließlich aller Rohrleitungen wärmedämmt werden, um Kondensatbildung und eine Verringerung der Kühlleistung zu verhindern.



a Anschlussrohr

5.3.2 Wasserkreislauf befüllen



HINWEIS

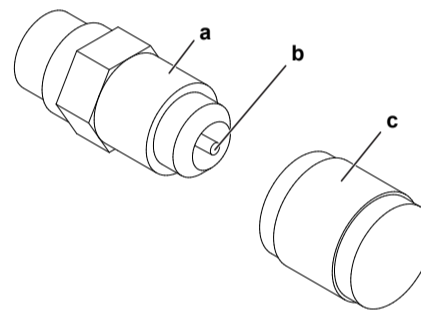
Stellen Sie sicher, dass die Wasserqualität der EU-Richtlinie 98/83 EG entspricht.



HINWEIS

- Wenn sich Luft im Wasserkreislauf befindet, kann das den Betrieb beeinträchtigen. Während der Befüllung ist es evtl. nicht möglich, die gesamte Luft aus dem Kreislauf zu entfernen. Während der ersten Betriebsstunden des Systems wird die verbliebene Luft durch die automatischen Entlüftungsventile abgelassen. Dann muss eventuell nachträglich Wasser nachgefüllt werden.
- Um das System zu entleeren, benutzen Sie die entsprechende Funktion, die unter "6 Inbetriebnahme" auf Seite 31 beschrieben ist.

- 1 Öffnen Sie die Abdeckkappe.
- 2 Drücken Sie das Druckentlastungsventil ein, um die Luft aus dem Wasserkreislauf zu entfernen.
- 3 Schließen Sie die Kappe.
- 4 Anschließend muss eventuell nachträglich Wasser nachgefüllt werden (jedoch niemals über das Entlüftungsventil).



- a Entlüftung
- b Druckentlastungsventil
- c Kappe

5.4 Anschließen der Kabel

5.4.1 Über das Anschließen der elektrischen Leitungen

Typischer Ablauf

Zur Herstellung der elektrischen Verkabelung sind üblicherweise die folgenden Schritte auszuführen:

- 1 Überzeugen Sie sich, dass der Netzanschluss (Stromversorgungssystem) den elektrischen Spezifikationen der Einheiten entspricht.
- 2 Elektrokabel am Ventilator-Konvektor anschließen.
- 3 Richtung der elektrischen Verkabelung ändern (sofern relevant).

5.4.2 Richtlinien zum Anschließen der elektrischen Leitungen

Gehen Sie beim Anschließen von Kabeln desselben Durchmessers entsprechend der Abbildung vor.



5 Installation

Beachten Sie beim Anschließen von Kabeln die unten stehenden Hinweise.

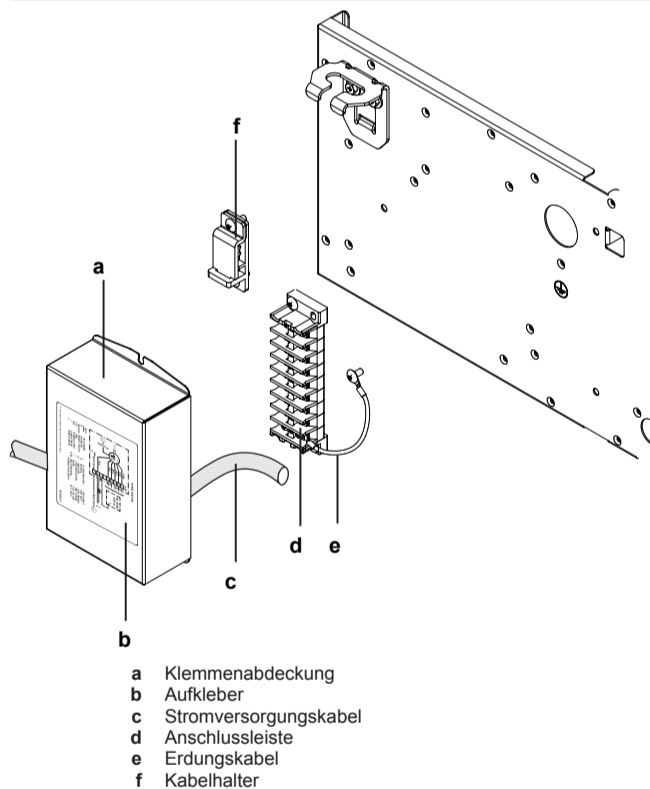
- Die an Stromversorgungs-Anschlussklemmen angeschlossenen Drähte müssen denselben Durchmesser haben. Lose Anschlüsse können eine Überhitzung verursachen.
- Schließen Sie auf keinen Fall Kabel mit unterschiedlichem Durchmesser an dieselbe Erdungsklemme an. Durch lockere Anschlüsse wird die Schutzwirkung beeinträchtigt.
- Verwenden Sie das spezifizierte Stromkabel. (Siehe "Spezifikationen zur bauseitigen Verkabelung" auf Seite 24). Verbinden Sie das Kabel sicher an der Klemme. Verwenden Sie das korrekte Anzugsmoment (Nm).
- Anzugsmoment für Stromversorgungs-Klemmleiste: 1,44~1,88 N•m
- Achten Sie auf eine saubere Verkabelung, um keine anderen Bauteile zu behindern oder die Abdeckung des Anschlusskastens aufzudrücken. Achten Sie darauf, dass die Abdeckung richtig schließt. Fehlerhaft verlegte Kabel können zu Überhitzung und schlimmstenfalls zu elektrischem Schlag oder Brand führen.

5.4.3 Elektrokabel am Ventilator-Konvektor anschließen

Siehe Elektroschaltplan-Aufkleber auf der Klemmenabdeckung.

! HINWEIS

- Halten Sie sich an den Elektroschaltplan (im Lieferumfang der Einheit enthalten, befindet sich auf der Abdeckung des Schaltschranks).
- Achten Sie darauf, dass Kabel NICHT die ordnungsgemäße Anbringung der Wartungsblende verhindern.



- 1 Entfernen Sie die Klemmenabdeckung und den Kabelhalter von der Einheit.
- 2 Verbinden Sie das Netzstromkabel mit der Klemmleiste.
- 3 Fixieren Sie das Netzstromkabel mit dem Kabelhalter.
- 4 Bringen Sie die Klemmenabdeckung wieder an.

5.4.4 Richtung der elektrischen Verkabelung ändern

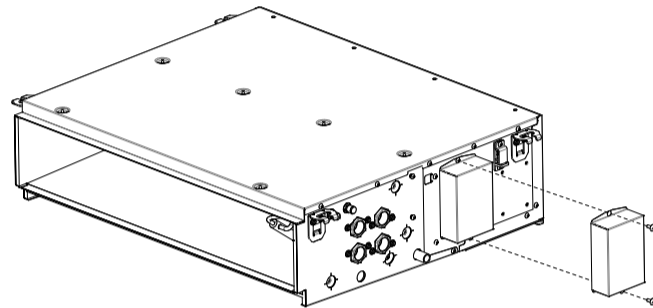
! HINWEIS

Die Richtung der elektrischen Verkabelung kann bauseitig geändert werden.

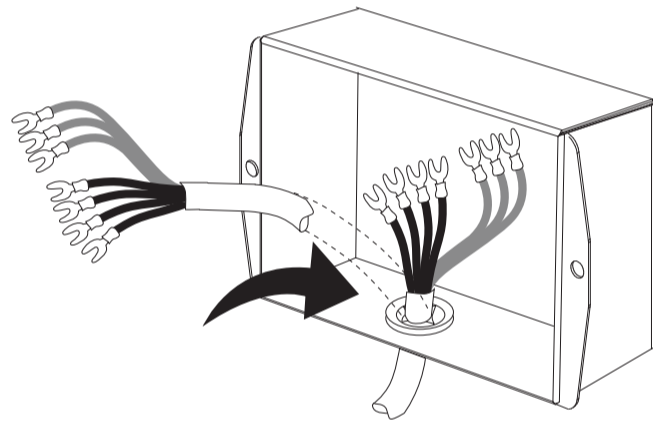
! HINWEIS

Vergewissern Sie sich, dass Sie keine Kabel einklemmen, wenn Sie den Schaltkasten-Deckel anbringen.

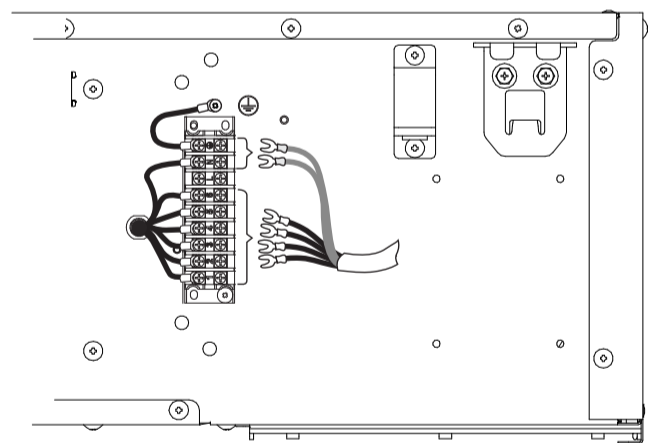
- 1 Entfernen Sie Schaltkasten-Deckel, Klemme, Kabelhalter, Erdungskabel und Ventilator- und Ventilatormotor-Kabel.



- 2 Lösen Sie die Ventilator- und Ventilatormotor-Kabel von den Kabelhaltern.

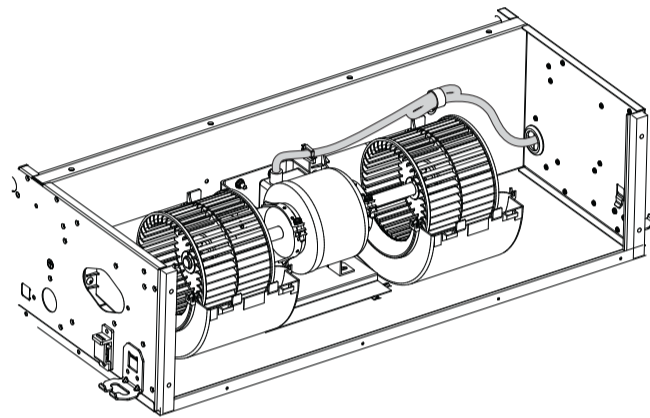
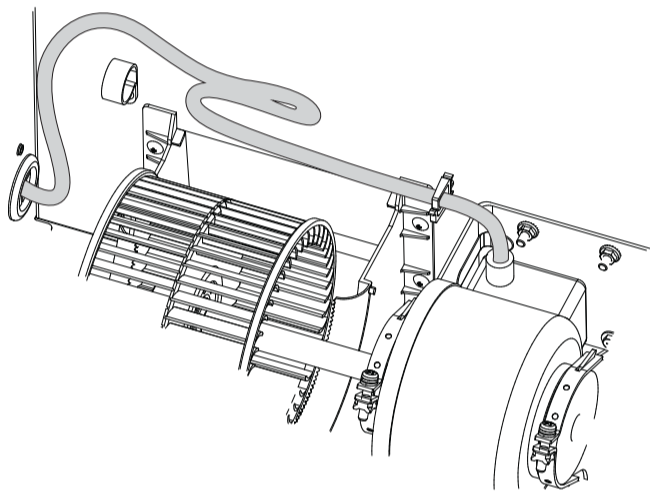
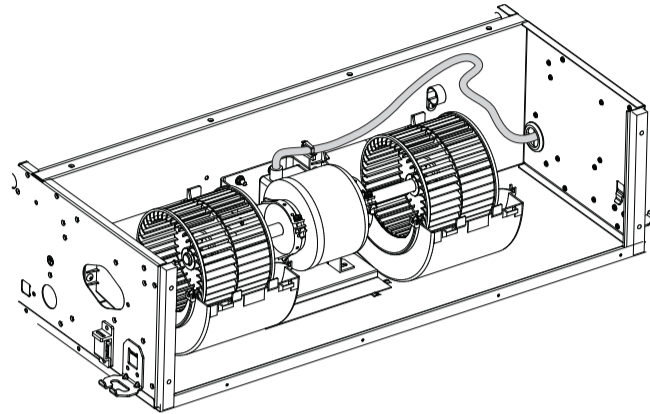
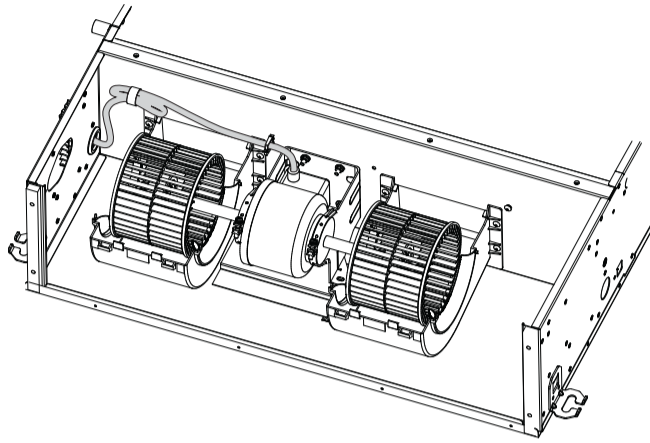


- 3 Ändern Sie die Richtungen der Ventilator- und Ventilatormotor-Kabel.

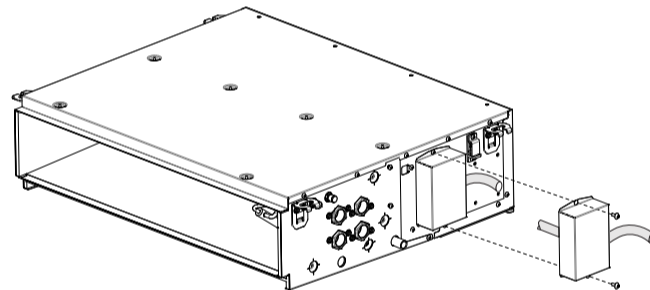
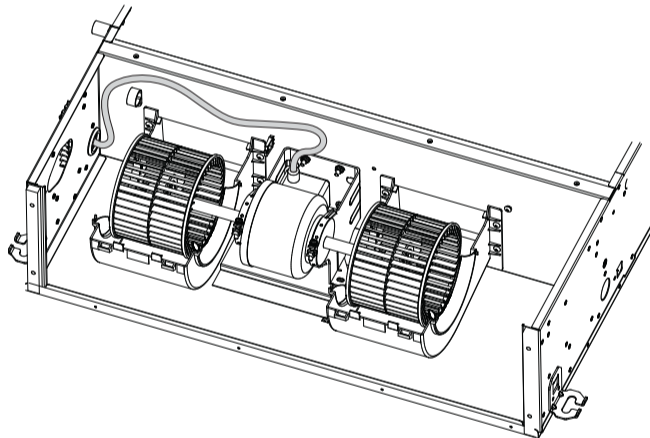


- 4 Befestigen Sie die Kabel auf der Trennplatte. Achten Sie darauf, die nicht genutzten Kabel mit einer Kabelklemme an der neuen Position zu fixieren.

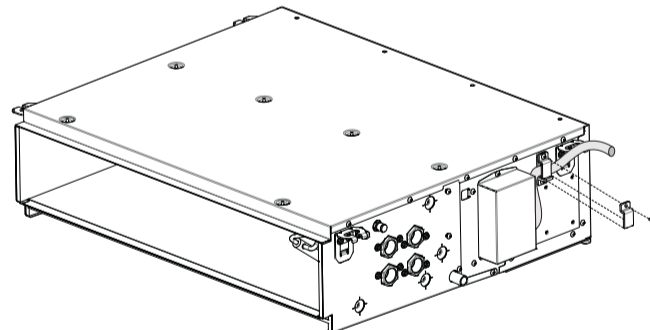
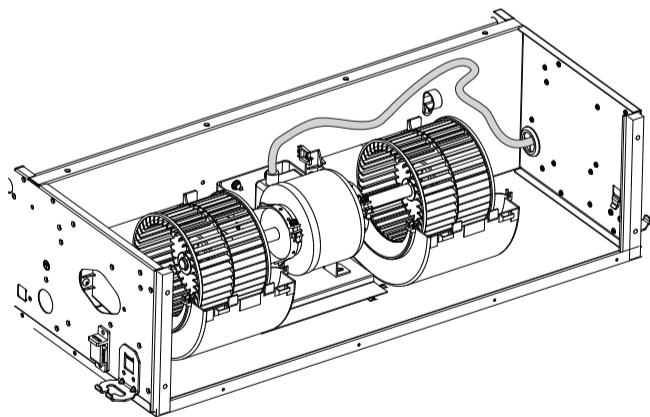
5 Installation



5 Bringen Sie die zuvor entfernten Teile an der Einheit an.



6 Bringen Sie den zuvor entfernten Kabelhalter wieder an, um das Kabel zu fixieren.

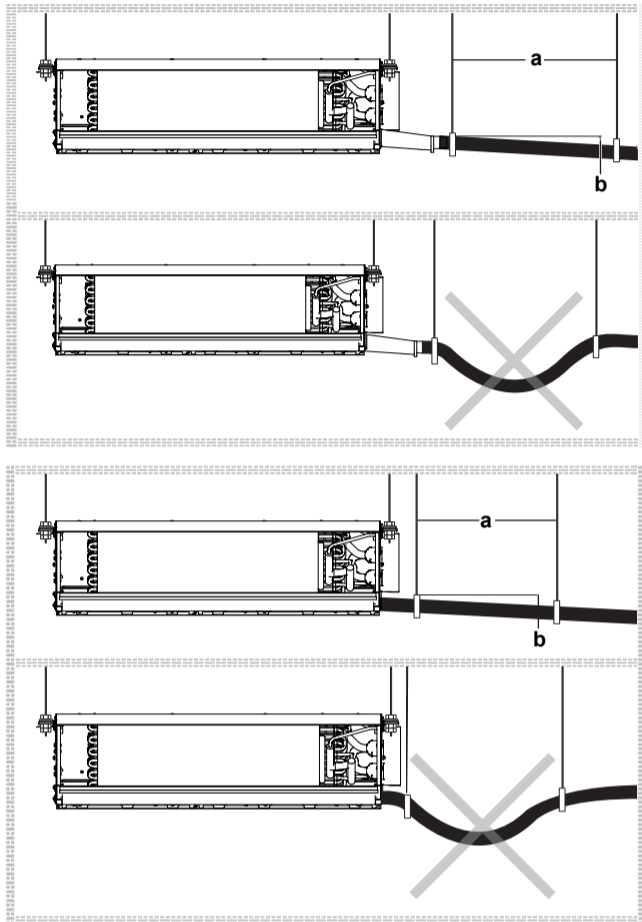


5 Installation

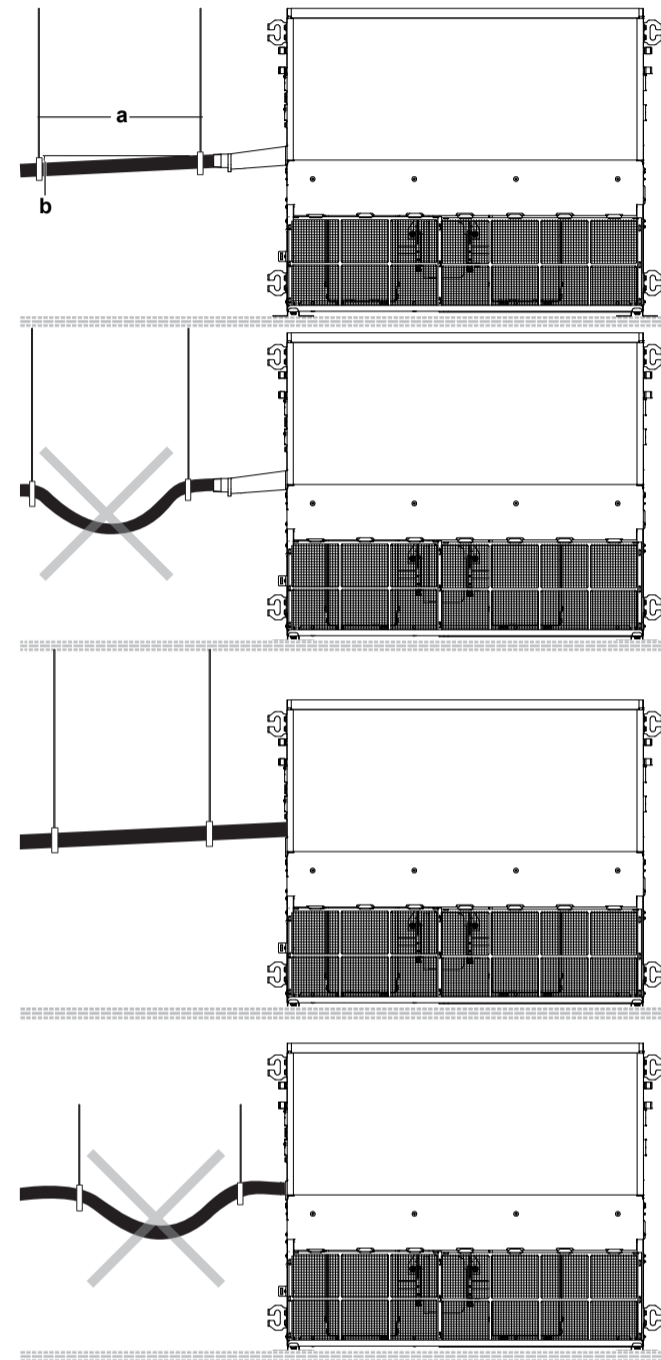
5.5 Abflussrohr anschließen

5.5.1 Abflussrohr an der Einheit anschließen

Horizontale Installation



Vertikale Installation



- a Haltestange
- b $\geq 1/100$ Gefälle

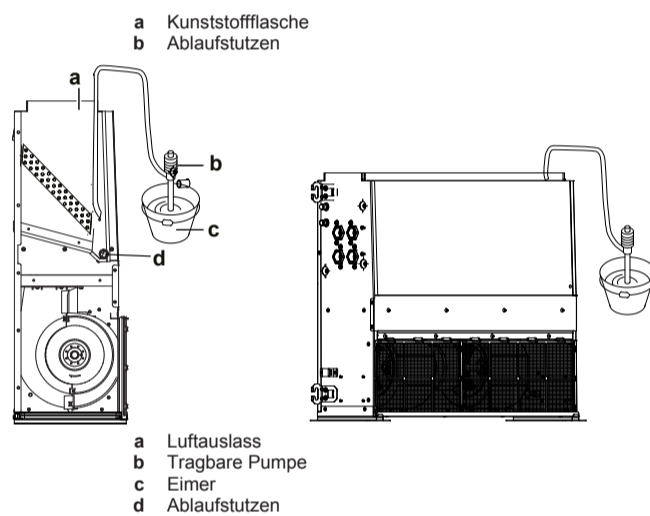
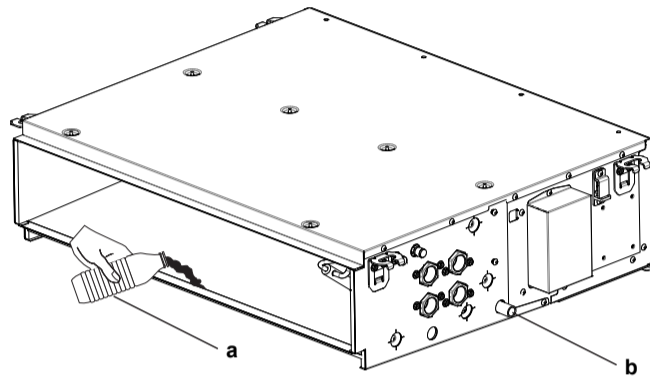
Verlegen Sie die Leitungen so kurz wie möglich und mit einem Gefälle von mindestens 1/100, so dass sich keine Luft im Rohr sammeln kann.

6 Inbetriebnahme

5.5.2 Abflussrohr kontrollieren

Überprüfen Sie nach der Montage des Abflussrohrs, ob das Kondensat gleichmäßig abfließt.

- 1 Lassen Sie dazu ca. 1 l Wasser langsam in die Luftauslassöffnung laufen.



- 2 Prüfen Sie den Kondensat-Abfluss durch Beobachten des Ablaufstutzens.

6 Inbetriebnahme

Bitte stellen Sie dem Kunden die Eco-Auslegungswerte gemäß (EU)2016/2281 zur Verfügung. Weitere Daten finden Sie in der Referenz für Installateure oder auf der Website Daikin.



HINWEIS

IMMER die Einheit mit Thermistoren und/oder Drucksensoren / Druckschalter betreiben. SONST könnte der Verdichter durchbrennen.

6.1 Probelauf durchführen

Der Techniker ist verpflichtet, nach der Installation den korrekten Betrieb zu prüfen. Wenden Sie sich bei einem Problem mit der Einheit an Ihren örtlichen Händler.



HINWEIS

Den Probelauf nicht unterbrechen.



HINWEIS

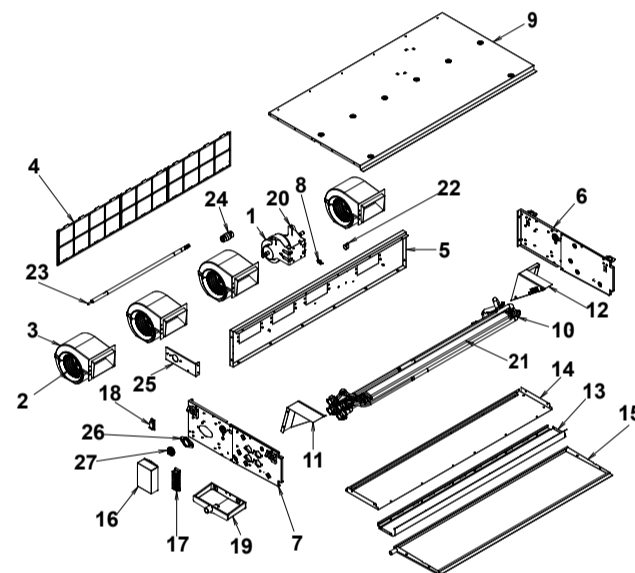
Versuchen Sie auf KEINEN Fall, das System selber auseinander zu nehmen. Die Demontage des Systems sowie die Handhabung von Kältemittel, Öl und weiteren Teilen MUSS in Übereinstimmung mit den entsprechenden Vorschriften erfolgen. Die Einheiten MÜSSEN bei einer Einrichtung aufbereitet werden, die auf Wiederverwendung, Recycling und Wiederverwertung spezialisiert ist.



WARNUNG

Treffen Sie geeignete Maßnahmen, um zu verhindern, dass das Gerät von Kleinlebewesen als Unterschlupf verwendet wird. Kleinlebewesen, die in Kontakt mit elektrischen Teilen kommen, können Funktionsstörungen, Rauch oder Feuer verursachen.

Verwenden Sie zum Lösen der Schrauben ein geeignetes Werkzeug. Das Produkt kann wie unten abgebildet zerlegt werden.



FWE-D Recyclingliste	
Werkstoffe	Position
Elektrische Teile (Ventilatormotor + Kondensator)	1
Aluminium (Kühlrippe) + Kupfer (Rohr) + verzinktes Stahlblech (Platte) + Messing	10
Kunststoff	2, 18, 8, 22, 27
Kunststoff + Metall	3, 17, 24
Kunststoff (Rahmen) + Kunststoff (Gitter)	4
Verzinktes Stahlblech	5, 9, 13, 14, 16, 20, 23, 25, 26
Verzinktes Stahlblech + Schaumstoff	6, 7, 11, 12, 15, 19
Schaumstoff	21

7 Instandhaltung und Wartung

6.2 Checkliste vor Inbetriebnahme

Überprüfen Sie erst die unten aufgeführten Punkte, nachdem die Einheit installiert worden ist. Nachdem alle Überprüfungen durchgeführt worden sind, muss die Einheit geschlossen werden. Nach Schließen der Einheit diese einschalten.

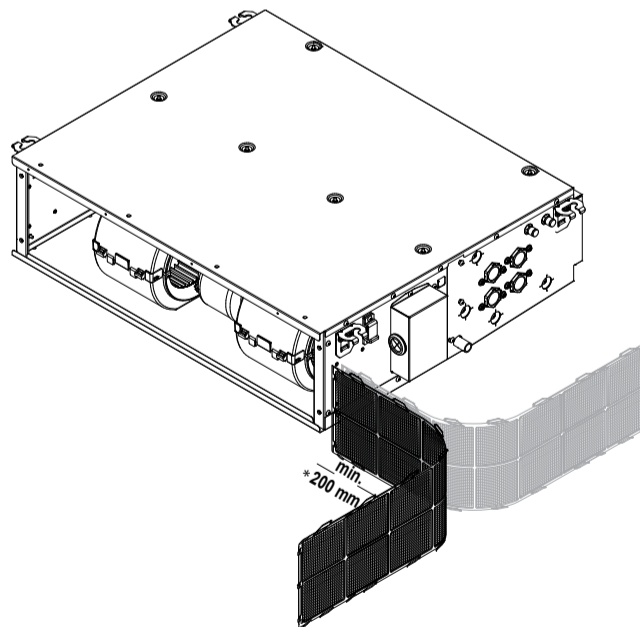
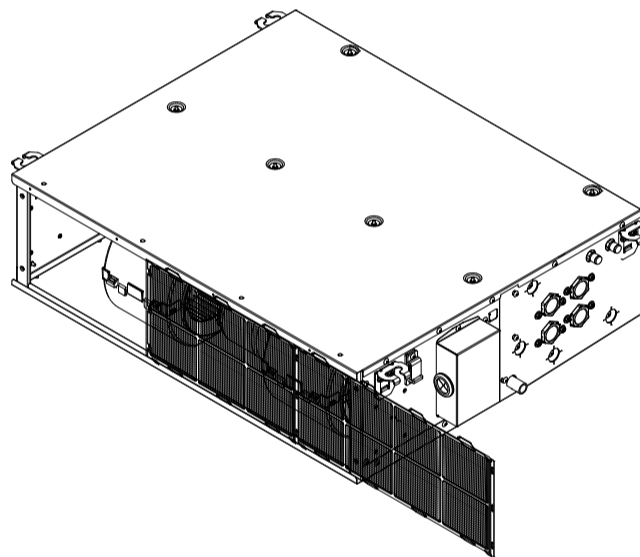
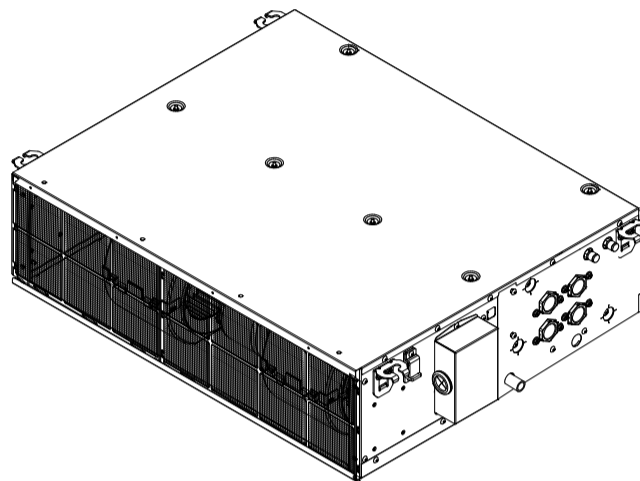
<input type="checkbox"/>	Installation Überprüfen Sie, dass das Gerät gut verankert steht, damit nach dem Einschalten keine ungewöhnlichen Betriebsgeräusche oder Vibrationen auftreten.
<input type="checkbox"/>	Abfluss Darauf achten, dass Kondenswasser reibungslos abläuft. Mögliche Folge: Kondensierendes Wasser könnte tropfen.
<input type="checkbox"/>	Versorgungsspannung Überprüfen Sie die vorliegende Netzspannung anhand des entsprechenden Schildes im Zählerkasten. Die Spannung MUSS mit der auf dem Typenschild der Einheit angegebenen Spannung übereinstimmen.
<input type="checkbox"/>	Erdung Vergewissern Sie sich, dass die Erdungsleitungen ordnungsgemäß angeschlossen und die Erdungsklemmen festgezogen sind.
<input type="checkbox"/>	Sicherungen, Schutzschalter und Schutzeinrichtungen Überprüfen Sie, dass Größe und Ausführung der Sicherungen, Hauptschalter oder der bauseitig installierten Schutzeinrichtungen in Größe und Typ den Angaben in Kapitel "4.4 Elektrische Verkabelung vorbereiten" auf Seite 23 entsprechen. Achten Sie außerdem darauf, dass keine Sicherung und keine Schutzeinrichtung überbrückt wurde.
<input type="checkbox"/>	Innenverkabelung Überprüfen Sie per Sichtkontrolle, ob es im Elektroschaltkasten und innerhalb der Einheit lose Anschlüsse oder beschädigte elektrische Bauteile gibt.
<input type="checkbox"/>	Beschädigte Teile Überprüfen Sie die Einheit innen auf beschädigte Teile oder zusammengedrückte Rohrleitungen.
<input type="checkbox"/>	Luftreinlass und Luftauslass Vergewissern Sie sich, dass Luftreinlass und Luftauslass der Einheit NICHT durch Papier, Pappe oder andere Materialien verstopft sind.

Wie?

- 1 Schalten Sie die Stromzufuhr ab.
- 2 Der Filter kann an diesem Produkt an einer von zwei Positionen eingebaut werden (seitlich und von unten). Schieben Sie den Filter wie unten abgebildet heraus.

Horizontale Installation

Den Luftfilter herauschieben.



7 Instandhaltung und Wartung

HINWEIS

Wartungsarbeiten DÜRFEN NUR von einem autorisierten Installateur oder Service-Mitarbeiter durchgeführt werden.

Wir empfehlen, mindestens einmal pro Jahr die Einheit zu warten. Gesetzliche Vorschriften können aber kürzere Wartungsintervalle fordern.

7.1 Luftfilter reinigen

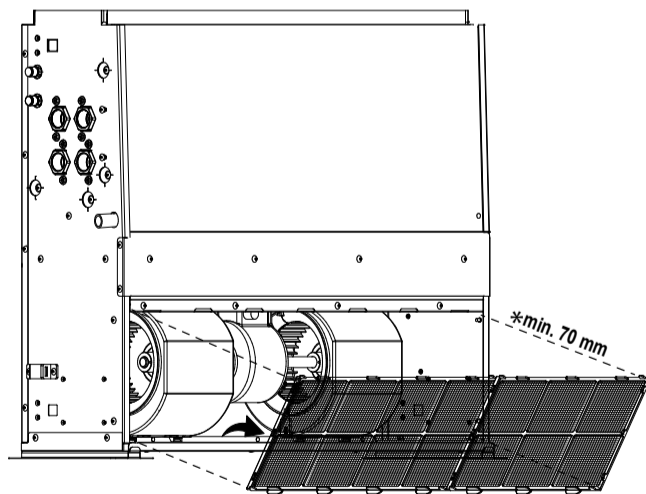
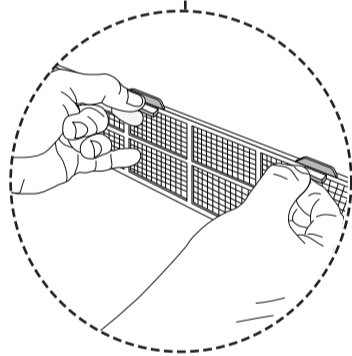
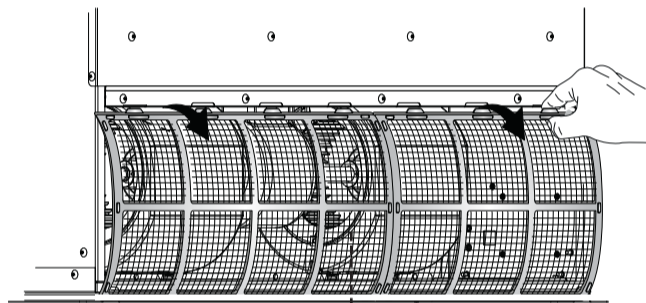
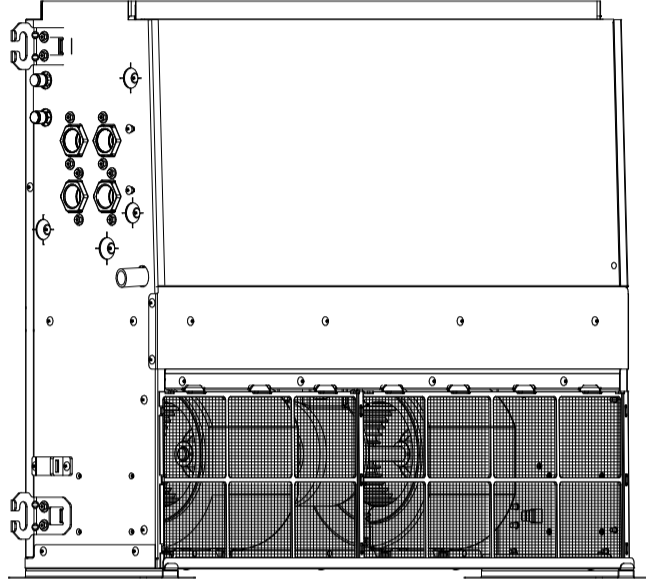
Wann?

- Alle 6 Monate reinigen. Ist die Luft im Raum extrem belastet, sollte häufiger gereinigt werden.
- Wenn der angesammelte Schmutz nicht mehr restlos entfernt werden kann, muss der Luftfilter durch ein Original-Ersatzteil ersetzt werden.

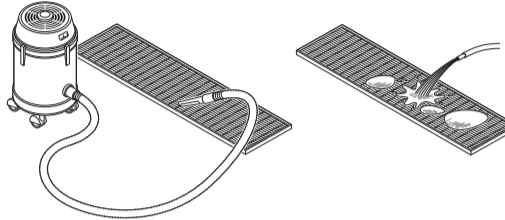
7 Instandhaltung und Wartung

Vertikale Installation

Drücken Sie auf die Laschen des Luftfilters und ziehen Sie sie zurück.



- 3 Verwenden Sie einen Staubsauger oder reinigen Sie den Luftfilter mit Wasser. Verwenden Sie bei stark verschmutztem Luftfilter eine weiche Bürste und ein neutrales Reinigungsmittel.



- 4 Setzen Sie den Luftfilter wieder zurück an seine ursprüngliche Position.

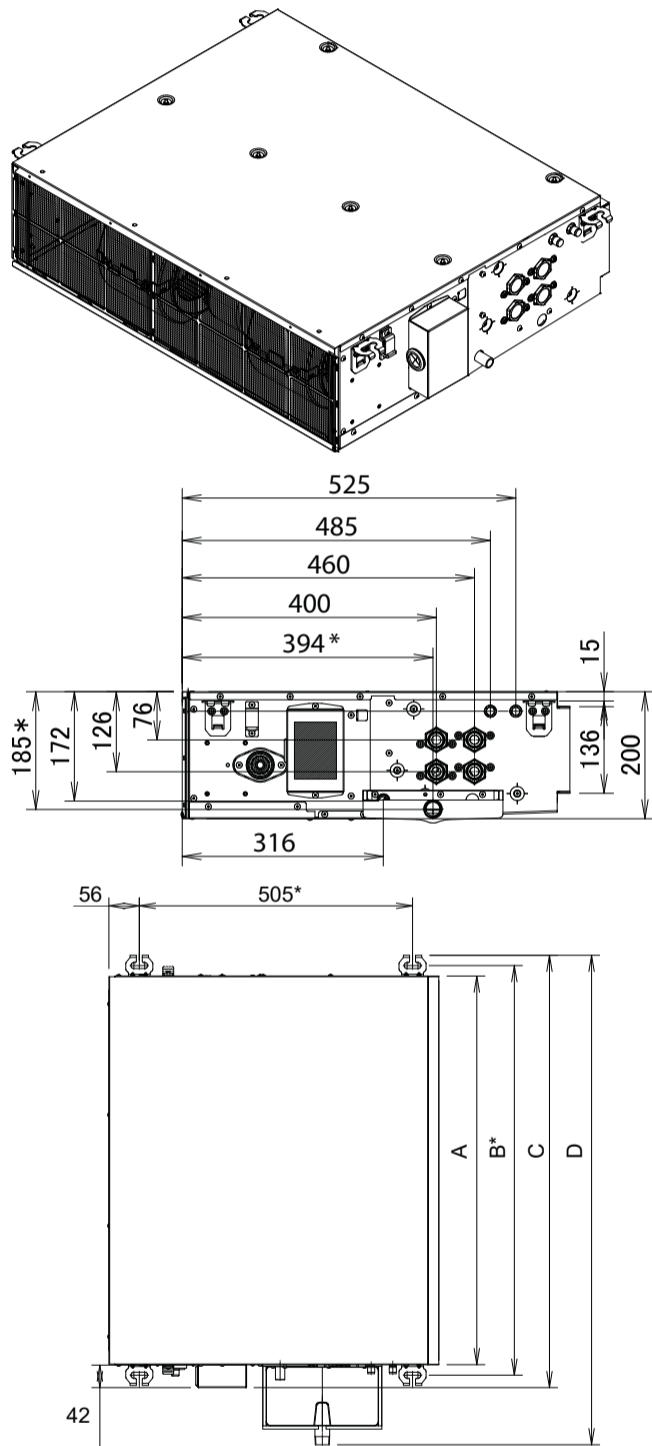
8 Technische Daten

8 Technische Daten

- Ein **Teil** der jüngsten technischen Daten ist verfügbar auf der regionalen Website Daikin (öffentlich zugänglich).
- Der **vollständige Satz** der jüngsten technischen Daten ist verfügbar auf dem Daikin Business Portal (Authentifizierung erforderlich).

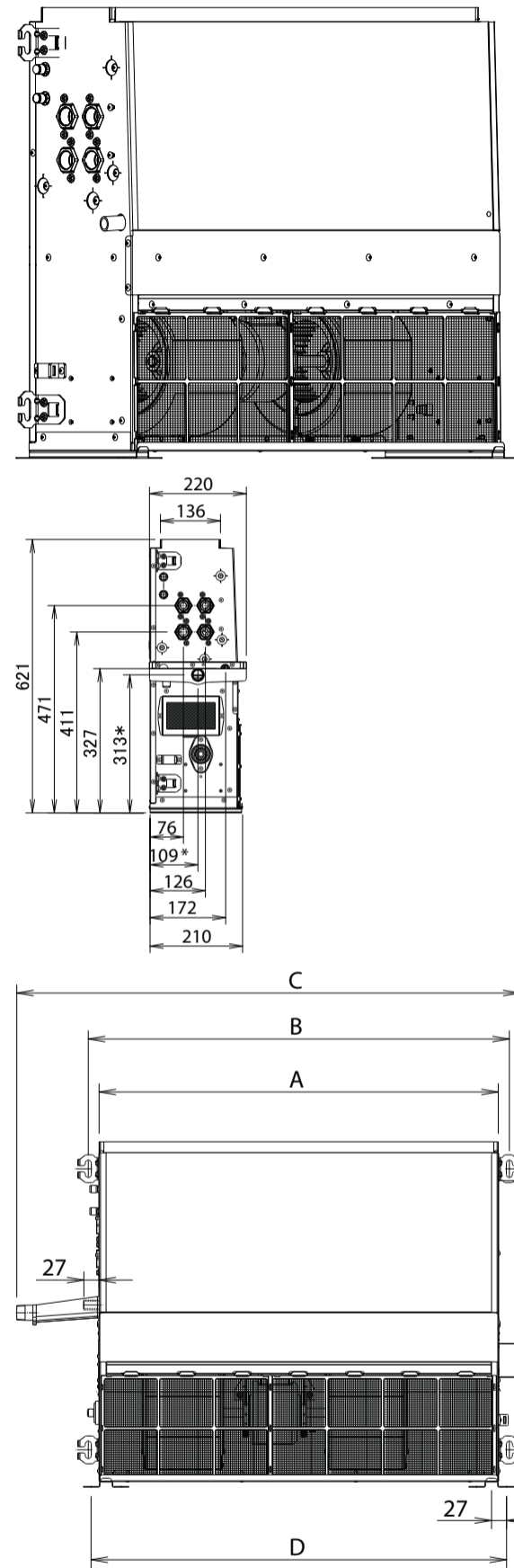
8.1 Abmessungen

Horizontale Ansicht



Einheiten: mm	A	B	C	D
FWE03~05	719	757	799	909
FWE06	919	957	999	1109
FWE07~11	1119	1157	1199	1309

Vertikale Ansicht



Einheiten: mm	A	B	C	D
FWE03~05	719	757	909	747
FWE06	919	957	1109	947
FWE07~11	1119	1157	1309	1147

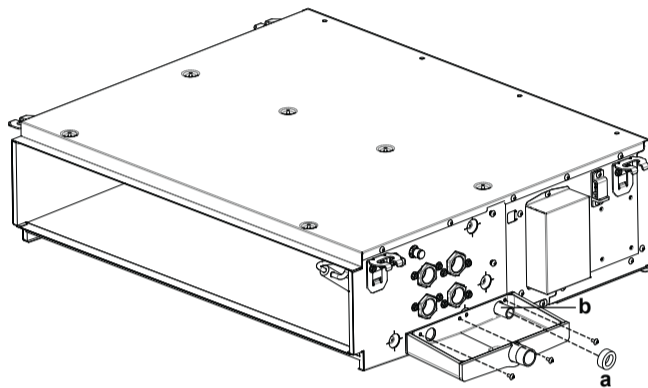
8 Technische Daten

Verstellbare Ablaufwanne (horizontal)

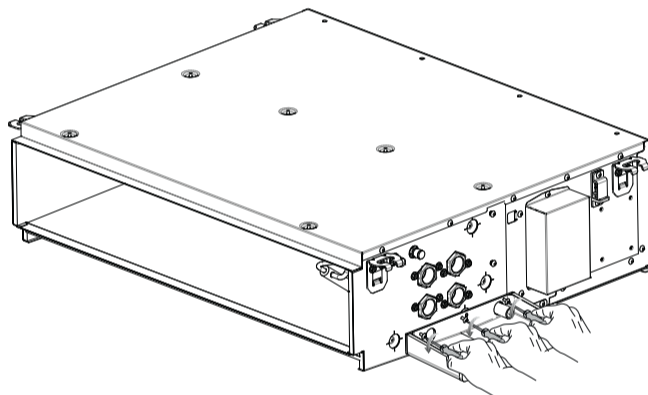


ACHTUNG

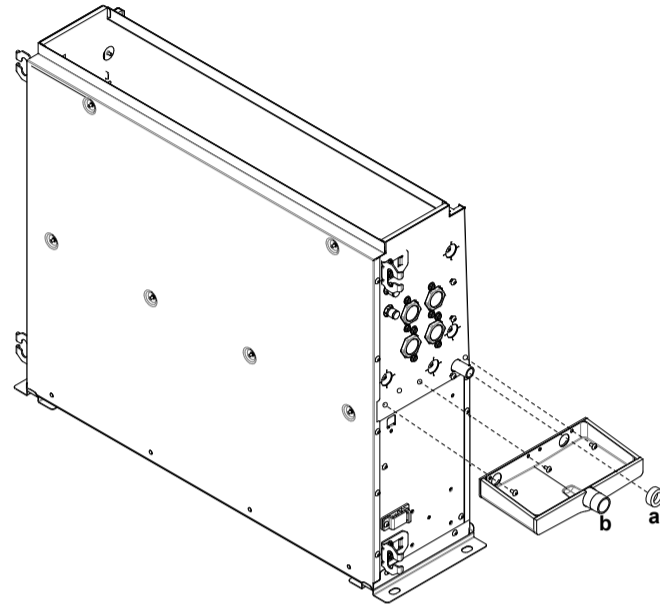
Bringen Sie nach Montage der zusätzlichen Ablaufwanne den Gummiring am Ablaufstutzen an. Andernfalls kann Kondenswasser an der Haupteinheit oder den Wasserleitungen sowie ein verschmutzter Luftfilter oder verstopfter Abfluss zur Tropfenbildung führen, sodass die betreffenden Gegenstände verschmutzen oder beschädigt werden.



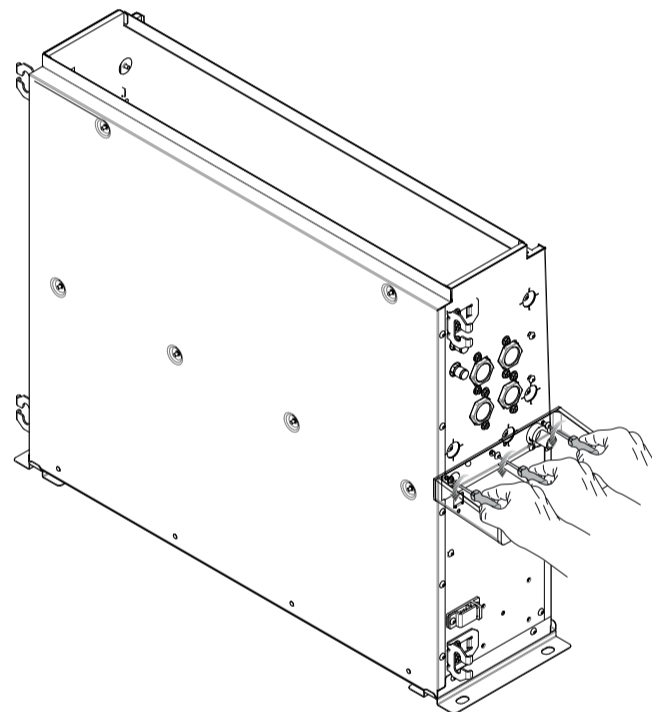
- a Ablaufstutzen-Gummiring
- b Zusätzliche Ablaufwanne



Verstellbare Ablaufwanne (vertikal)



- a Ablaufstutzen-Gummiring
- b Zusätzliche Ablaufwanne



8 Technische Daten

8.2 Schaltplan

An Klemme

Englisch	Übersetzung
	Anschluss
X1M	Hauptklemme
-----	Feldversorgung
	Platine
	Schutzerde
	Erde
	Bauseitige Verkabelung

Ventilatormotorkabel

WHT	Weiß
GRN	Grün
RED	Rot
ORG	Orange
BRN	Braun
YLW	Gelb
BLU	Blau
GRN/YLW	Grün/gelb
C1	Kondensator
F1U	Sicherung
X1M	Anschlussleiste
M	Ventilatormotor

8.3 Erforderliche Daten für Eco-Auslegung

Gehen Sie wie folgt vor, um an die Daten für die Einheit mit dem Energiezeichen – Lot 21 zu gelangen sowie Daten zu Innen-Außen-Kombinationen.

1 Besuchen Sie die folgende Webseite: <https://energylabel.daikin.eu/>

2 Um fortzufahren, wählen Sie:

- "Continue to Europe" (Weiter nach Europa), um zur internationalen Website zu gelangen.
- "Other country" (Anderes Land), um zu einer länderspezifischen Website zu gelangen.

Ergebnis: Sie werden zur Website "Seasonal efficiency" (Saisonale Wirtschaftlichkeit) geleitet.

3 Klicken Sie unter "Eco Design – Ener LOT 21" auf "Generate your data" (Generieren Sie Ihre Daten).

Ergebnis: Sie werden zur Website "Seasonal efficiency" (Saisonale Wirtschaftlichkeit (LOT 21)) geleitet.

4 Folgen Sie der Anleitung auf der Website, um die richtige Einheit auszuwählen.

Ergebnis: Nach Auswahl der Einheit kann ein LOT 21-Datenblatt als PDF- oder HTML-Datei angezeigt werden.



INFORMATION

Auf der betreffenden Webseite können Sie auch andere Dokumente (z. B. Handbücher, ...) einsehen.

Table des matières

Table des matières

1	À propos de la documentation	38
1.1	À propos du présent document	38
1.2	Signification des avertissements et des symboles	38
1.3	Généralités	39
2	À propos du carton	39
2.1	Vue d'ensemble: à propos du carton	39
2.2	Déballage et manipulation du ventilo-convecteur	39
2.3	Pour retirer les accessoires du ventilo-convecteur	39
3	A propos de l'unité	39
3.1	Vue d'ensemble: à propos des unités et des options	39
3.2	Identification	40
3.2.1	Étiquette d'identification: Ventilo-convecteur	40
4	Préparation	40
4.1	Vue d'ensemble: préparation	40
4.2	Préparation du lieu d'installation	40
4.3	Préparation de la tuyauterie d'eau	41
4.4	Préparation du câblage électrique	41
4.4.1	À propos de la préparation du câblage électrique	41
5	Installation	42
5.1	Montage du ventilo-convecteur	42
5.1.1	Installation horizontale	42
5.1.2	Installation verticale	43
5.2	Passage de l'installation horizontale à l'installation verticale	44
5.3	Raccordement de la tuyauterie d'eau	44
5.3.1	Raccordement de la tuyauterie d'eau	45
5.3.2	Remplissage du circuit d'eau	45
5.4	Raccordement du câblage électrique	45
5.4.1	À propos du raccordement du câblage électrique	45
5.4.2	Directives de raccordement du câblage électrique	45
5.4.3	Raccordement du câblage électrique sur le ventilo-convecteur	46
5.4.4	Changement du sens du câblage électrique	46
5.5	Raccordement de la tuyauterie de purge	48
5.5.1	Installation de la tuyauterie d'évacuation sur l'unité	48
5.5.2	Contrôle de la tuyauterie d'évacuation	49
6	Mise en service	49
6.1	Essai de fonctionnement	49
6.2	Liste de contrôle avant la mise en service	50
7	Maintenance et entretien	50
7.1	Pour nettoyer le filtre à air	50
8	Données techniques	52
8.1	Dimensions	52
8.2	Schéma de câblage	54
8.3	Exigences d'information pour l'éco-conception	55

1 À propos de la documentation

1.1 À propos du présent document

Public visé

Installateurs agréés

INFORMATIONS

Cet appareil est conçu pour être utilisé par des utilisateurs expérimentés ou formés, dans des ateliers, dans l'industrie légère et dans les exploitations agricoles, ou par des non-spécialistes, dans un cadre commercial ou domestique.

Documentation

Le présent document fait partie d'un ensemble. L'ensemble complet comprend les documents suivants:


Il est possible que les dernières révisions de la documentation fournie soient disponibles sur le site Web Daikin de votre région ou via votre revendeur.

La documentation d'origine est rédigée en anglais. Toutes les autres langues sont des traductions.


• Manuel d'installation du ventilo-convecteur:

- Instructions d'installation
- Format: Papier (dans le carton du ventilo-convecteur)


1.2 Signification des avertissements et des symboles

 **DANGER**
Indique une situation qui entraîne la mort ou des blessures graves.


 **DANGER: RISQUE D'ÉLECTROCUTION**
Indique une situation qui peut entraîner une électrocution.


 **DANGER: RISQUE DE BRÛLURE**
Indique une situation qui peut entraîner des brûlures en raison de températures extrêmement chaudes ou froides.

 **DANGER: RISQUE D'EXPLOSION**
Indique une situation qui peut entraîner une explosion.

 **AVERTISSEMENT**
Indique une situation qui peut entraîner la mort ou des blessures graves.




 **AVERTISSEMENT: MATÉRIAU INFLAMMABLE**

 **ATTENTION**
Indique une situation qui peut entraîner des blessures mineures ou modérées.

 **REMARQUE**
Indique une situation qui peut entraîner des dommages au niveau de l'équipement ou des biens.

INFORMATIONS

Conseils utiles ou informations complémentaires.

Symbole	Explication
	Avant l'installation, lisez le manuel d'installation et d'utilisation ainsi que la fiche d'instructions de câblage.
	Avant d'effectuer la maintenance et les tâches d'entretien, lisez le manuel d'entretien.
	Pour plus d'informations, reportez-vous au guide d'installation et de référence utilisateur.

1.3 Généralités

Si vous avez des doutes concernant l'installation ou le fonctionnement de l'unité, contactez votre revendeur.



REMARQUE

L'installation ou la fixation incorrecte de l'équipement ou des accessoires peut entraîner une décharge électrique, un court-circuit, des fuites, un incendie ou d'autres dommages au niveau de l'équipement. Utilisez uniquement les accessoires, les équipements en option et les pièces détachées fabriqués ou approuvés par Daikin.



AVERTISSEMENT

Veillez à ce que l'installation, les essais et les matériaux utilisés soient conformes à la législation applicable (en plus des instructions détaillées dans la documentation Daikin).



ATTENTION

Portez des équipements de protection individuelle adaptés (gants de protection, lunettes de sécurité, etc.) lors de l'installation, de l'entretien ou de la réparation du système.



AVERTISSEMENT

Déchirez et jetez les sacs d'emballage en plastique de manière à ce que personne, notamment les enfants, ne puisse jouer avec. Risque possible: suffocation.



AVERTISSEMENT

Prenez des mesures adaptées afin que l'unité ne puisse pas être utilisée comme abri par les petits animaux. Les petits animaux qui entrent en contact avec des pièces électriques peuvent provoquer des dysfonctionnements, de la fumée ou un incendie.



ATTENTION

NE touchez PAS à l'entrée d'air ou aux ailettes en aluminium de l'unité.



REMARQUE

- NE PLACEZ PAS d'objets ou d'équipements sur l'unité.
- NE VOUS ASSEYEZ PAS, NE GRIMPEZ PAS et NE VOUS TENEZ PAS DEBOUT sur l'unité.



DANGER: RISQUE D'ÉLECTROCUTION

- Assurez-vous que le système est correctement mis à la terre.
- Coupez l'alimentation électrique avant de procéder à l'entretien.
- Installez le couvercle du coffret électrique avant d'allumer l'alimentation électrique.



ATTENTION

- Vérifiez si le lieu d'installation peut supporter le poids de l'unité. Une mauvaise installation est dangereuse. Elle peut également provoquer des vibrations ou un bruit de fonctionnement inhabituel.
- Prévoyez un espace d'entretien suffisant.
- N'installez PAS l'unité de manière à ce qu'elle soit en contact avec un plafond ou un mur, car cela pourrait provoquer des vibrations.



DANGER: RISQUE D'ÉLECTROCUTION

N'actionnez pas les ventilo-convecteurs avec des mains mouillées. Vous risquez de vous électrocuter.

2 À propos du carton

2.1 Vue d'ensemble: à propos du carton

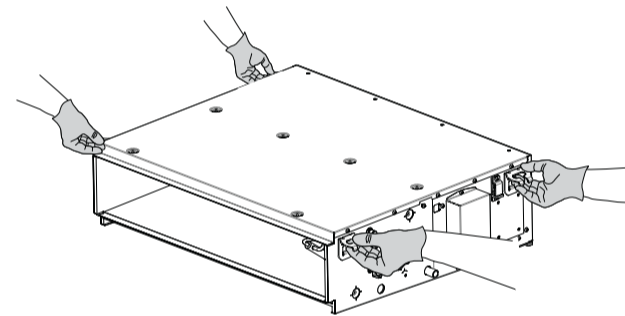
Gardez ce qui suit à l'esprit:

- Vous DEVEZ vérifier que l'unité n'est pas endommagée au moment de la livraison. Tout dommage DOIT être immédiatement signalé au responsable des réclamations du transporteur.
- Placez l'unité emballée le plus près possible de sa position d'installation finale afin qu'elle ne soit pas endommagée pendant le transport.
- Préparez à l'avance le chemin par lequel vous voulez faire entrer l'unité.

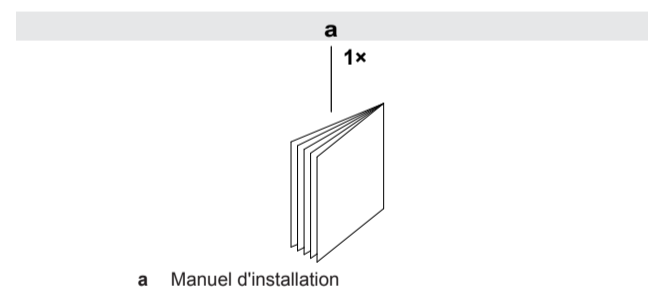
2.2 Déballage et manipulation du ventilo-convecteur

Utilisez une élingue constituée d'un matériau doux ou des plaques de protection avec une corde pour le levage de l'unité. Cela permet d'éviter d'endommager ou de rayer l'unité.

- 1 Soulevez l'unité en la saisissant par les supports suspendus sans exercer aucune pression sur les autres pièces, en particulier sur les tuyauteries d'évacuation et l'isolation thermique.



2.3 Pour retirer les accessoires du ventilo-convecteur



3 A propos de l'unité

3.1 Vue d'ensemble: à propos des unités et des options

Ce chapitre contient les informations sur:

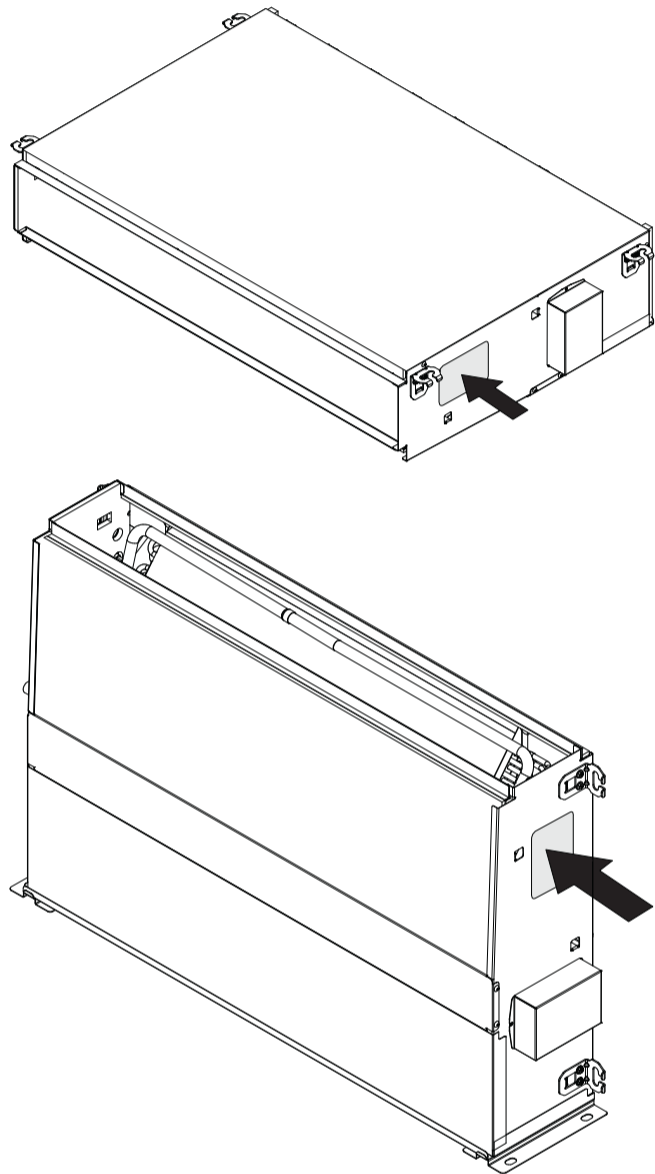
- Identification du ventilo-convecteur.

4 Préparation

3.2 Identification

3.2.1 Etiquette d'identification: Ventilconvecteur

Emplacement



Identification du modèle

Exemple: FW E 03 D A F N 5 V3 — L

Code	Description
FW	Ventilo-convecteurs à eau
E	Basse pression statique Flex (LSP) sans boîtier
03	Catégorie de capacité: 03=1,5 kW
D	Modification majeure du modèle (A à Z)
A	Modification mineure
F	4 tuyaux
N	Sans vanne
5	Usine Hendek
V3	Moteur de ventilateur / monophasé / 50 Hz / 220~240 V
—	Pas d'option

Code	Description
L	S: Eau côté gauche – Raccordement électrique à gauche L: Eau côté gauche – Raccordement électrique à droite T: Eau côté droit – Raccordement électrique à droite R: Eau côté droit – Raccordement électrique à gauche

4 Préparation

4.1 Vue d'ensemble: préparation

Ce chapitre décrit ce qu'il y a lieu de faire et de savoir avant d'aller sur site.

Il contient des informations concernant:

- Préparation du lieu d'installation
- Préparation de la tuyauterie d'eau
- Préparation du câblage électrique

4.2 Préparation du lieu d'installation



AVERTISSEMENT

NE placez PAS d'objets sous le ventilateur qui pourraient se mouiller. Sinon, la condensation sur l'unité principale ou les tuyaux d'eau, la saleté du filtre à air ou le colmatage du système de purge peuvent provoquer des écoulements, ce qui peut souiller ou abîmer l'objet concerné.



REMARQUE

Veuillez consulter votre revendeur pour vous assurer que la pression statique externe de l'unité n'est pas dépassée.

Ne pas installer ou faire fonctionner l'unité dans les pièces décrites ci-dessous.

- Lieux comportant de l'huile minérale ou des vapeurs d'huile ou des sprays comme une cuisine (les pièces en plastique pourraient être endommagées).
- Lieu dans lesquels se trouvent des gaz corrosifs comme du gaz sulfureux. Les tubes en cuivre et les points brasés pourraient se corroder.
- Lieu où l'air contient des niveaux élevés de sel, comme près de l'océan et où la tension varie énormément (par ex. les usines). Egalement dans les véhicules ou les navires.
- dans des lieux où une machine émet des ondes électromagnétiques. Les ondes électromagnétiques peuvent perturber le système de commande et provoquer un dysfonctionnement de l'équipement.
- dans des lieux présentant un risque d'incendie lié à des fuites de gaz inflammable (diluant ou essence, par exemple) ou à la présence de fibres de carbone ou de poussières inflammables,

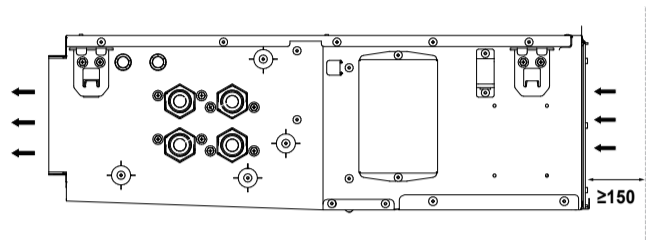
Sélectionnez un lieu d'installation où les conditions suivantes sont remplies et qui soit approuvé par le client.

L'espace autour de l'unité est adapté à la maintenance et l'entretien. L'espace autour de l'unité doit permettre une circulation et une distribution suffisantes de l'air. Voir l'espace requis pour l'installation.

4 Préparation

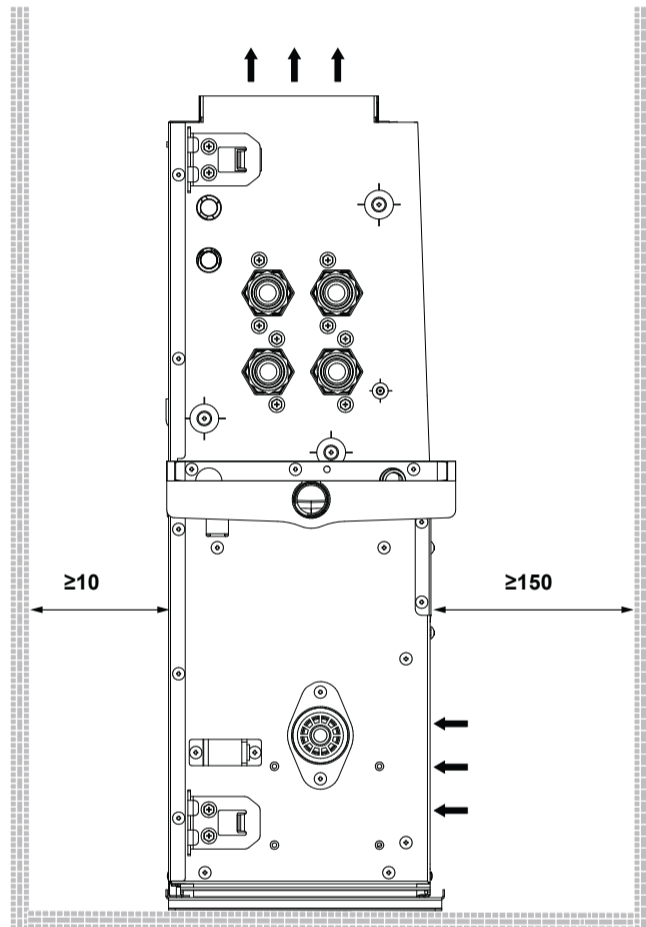
Installation horizontale

L'unité doit être installée à $\geq 2,5$ m du sol où elle est suspendue au plafond.



Installation verticale

L'espace vertical d'entretien des filtres doit correspondre à ce qui est indiqué.



ATTENTION

N'utilisez pas de boulons de suspension pour une installation verticale. L'installation verticale doit être effectuée avec le kit d'installation verticale (ESFH01DS).

4.3 Préparation de la tuyauterie d'eau

L'unité est équipée d'une entrée et d'une sortie d'eau destinées à être raccordées à un circuit d'eau. Le circuit d'eau doit être mis en place par un installateur et doit être conforme à la législation applicable.



REMARQUE

L'unité ne doit être utilisée que dans un réseau d'alimentation en eau fermé. L'application dans un réseau d'alimentation en eau ouvert conduit à une corrosion excessive de la tuyauterie d'eau.

Avant de procéder aux travaux de tuyauterie d'eau, vérifiez les points suivants:

- La pression d'eau maximale est de 1 MPa.
- La température minimale de l'eau est de 5°C.
- La température d'eau maximum est de 90°C.
- Veillez à installer des composants en mesure de résister à la pression et à la température de l'eau dans la tuyauterie.
- Prévoyez des protections adaptées dans le circuit d'eau de manière à garantir que la pression de l'eau ne dépasse jamais la pression de fonctionnement maximale autorisée.
- Installez un drainage adapté pour la soupape de dégagement de la pression (le cas échéant) de manière à ce que l'eau n'entre pas en contact avec les pièces électriques.
- Installez des robinets d'arrêt au niveau de l'unité de manière à ce que les tâches d'entretien normales puissent être effectuées sans vidanger le système.
- Placez des robinets de drainage à tous les points bas du système de manière à permettre le drainage complet du circuit lors de la maintenance ou de l'entretien de l'unité.
- Placez des vannes de purge d'eau à tous les points hauts du système. Les vannes doivent être placées à des points facilement accessibles de manière à permettre l'entretien.

4.4 Préparation du câblage électrique

4.4.1 À propos de la préparation du câblage électrique



AVERTISSEMENT

- Utilisez UNIQUEMENT des câbles en cuivre.
- Assurez-vous que le câblage non fourni est conforme à la législation applicable.
- L'ensemble du câblage sur place DOIT être réalisé conformément au schéma de câblage fourni avec l'appareil.
- Ne serrez JAMAIS les câbles en faisceau et veillez à ce qu'ils n'entrent PAS en contact avec la tuyauterie ou des bords tranchants. Assurez-vous qu'aucune pression externe n'est appliquée sur le raccordement des bornes.
- Veillez à installer un câblage de terre. Ne mettez PAS l'unité à la terre avec une canalisation, un parasurtenseur ou une prise de terre téléphonique. Une mise à la terre incomplète peut provoquer des décharges électriques.
- Veillez à utiliser un circuit d'alimentation spécifique. N'utilisez JAMAIS une alimentation électrique partagée par un autre appareil.
- Veillez à installer les fusibles ou les disjoncteurs requis.
- Veillez à installer un dispositif de sécurité contre les fuites à la terre. Le non-respect de cette consigne peut entraîner une décharge électrique ou un incendie.
- Lors de l'installation du dispositif de sécurité contre les fuites à la terre, veillez à ce qu'il soit compatible avec l'onduleur (résistant aux parasites électriques haute fréquence) pour éviter tout déclenchement inutile du dispositif de sécurité contre les fuites à la terre.

5 Installation

REMARQUE

L'équipement décrit dans ce manuel peut provoquer des parasites électroniques générés par les radiofréquences. Cet équipement est conforme aux spécifications qui sont prévues pour assurer une protection raisonnable contre ces interférences. Toutefois, il n'y a aucune garantie que les interférences ne se produiront pas dans une installation en particulier.

Il est dès lors recommandé d'installer l'équipement et les fils électriques à une certaine distance des installations audio, ordinateurs, etc

AVERTISSEMENT

Tous les câbles et éléments à prévoir sur place DOIVENT être installés par un électricien agréé et doivent être conformes à la législation en vigueur.

DANGER: RISQUE D'ÉLECTROCUTION

AVERTISSEMENT

Un commutateur principal ou d'autres moyens de débranchement ayant une séparation de contact sur tous les pôles DOIT être intégré dans le câblage fixe en fonction de la législation correspondante.

Caractéristiques électriques

	FWE-D
Phase	1N~
Fréquence	50 Hz
Plage de tension	220~240 V
Tolérance de tension	±10%
Courant de fonctionnement maximal	0,46 A
Fusible de protection contre les surintensités	16 A

Spécifications pour le câblage sur site

	Fil	Taille (mm ²)	Longueur
Câblage d'alimentation	H05VV-U3G ^{(a)(b)}	Conforme à la législation applicable, ≤4,0	—
Câblage de la transmission de l'unité et de la télécommande	Fil gainé 2 conducteurs ^(c)	0,75~1,25	≤500 m ^(d)

^(a) Uniquement en cas de tuyaux protégés. Utilisez le H07RN-F en l'absence de protection.

^(b) Faites passer le câblage électrique par un tube de protection de manière à le protéger des influences externes.

^(c) Utilisez du fil à double isolation pour la télécommande (épaisseur de la gaine ≥1 mm) ou faites passer les fils à travers une paroi ou un conduit de manière à ce que l'utilisateur ne puisse pas entrer en contact avec eux.

^(d) La longueur sera la longueur étendue totale dans un système avec commande de groupe.

5 Installation

5.1 Montage du ventilo-convecteur

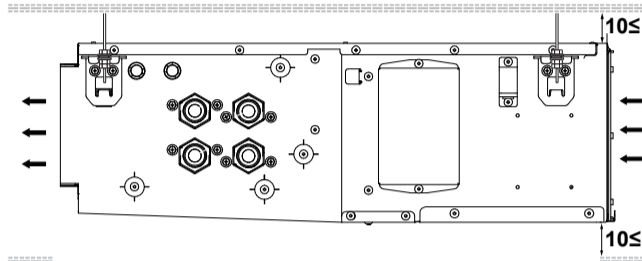
INFORMATIONS

L'espacement entre le plafond et l'unité doit être de ≥10 mm et l'espace d'aspiration doit être ≥150 mm.

INFORMATIONS

Toutes les pièces ci-dessus ne sont pas fournies avec l'unité. Pour toute installation autre que l'installation standard, demandez conseil à votre revendeur le plus proche.

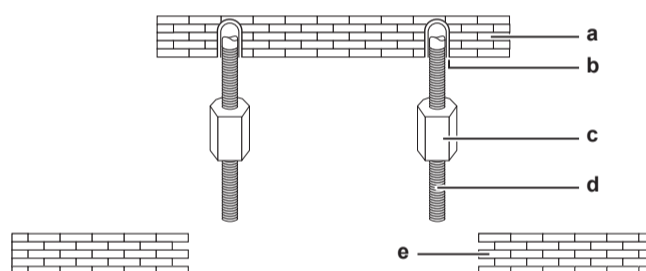
5.1.1 Installation horizontale



- 1 Pratiquez l'ouverture d'installation requise dans le plafond à un endroit approprié.

Il peut être nécessaire de renforcer le cadre du plafond suspendu de manière à maintenir le plafond à niveau et à l'empêcher de vibrer. Consulter le constructeur pour plus de détails.

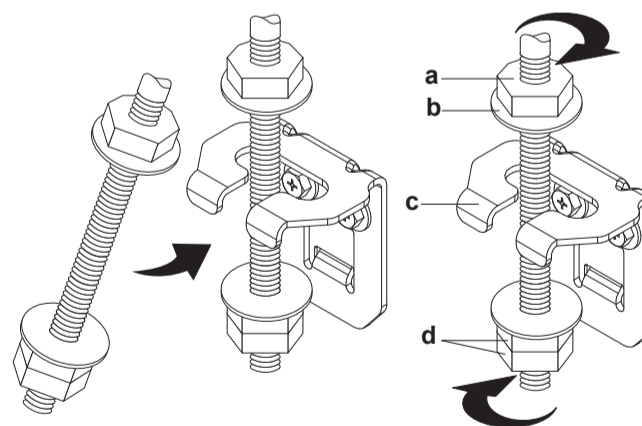
- 2 Installez les boulons de suspension. Utilisez des boulons de taille W3/8 ou M10. Utilisez des ancrages pour les plafonds existants et un insert noyé, des ancrages noyés ou d'autres pièces non fournies pour les nouveaux plafonds afin de renforcer le plafond de manière à ce qu'il puisse supporter le poids de l'unité. Reportez-vous au patron pour identifier les points à renforcer. Ajustez l'écartement par rapport au plafond avant de continuer.



- a Dalle de plafond
- b Ancrage
- c Écrou long ou tendeur à lanterne
- d Boulon de suspension
- e Plafond suspendu

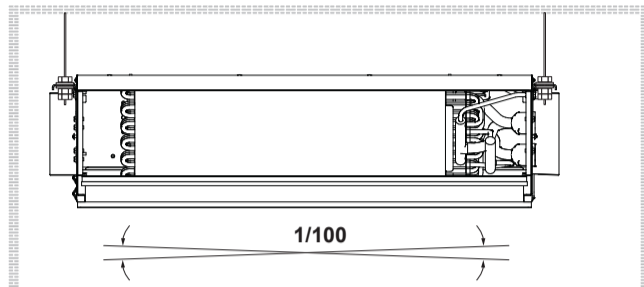
- 3 Installez l'unité de manière temporaire.

Fixez le support de suspension au boulon de suspension. Fixez bien l'unité.



- a Écrou (non fourni)
- b Rondelle (non livrée)
- c Support de suspension
- d Double écrou (à fournir)

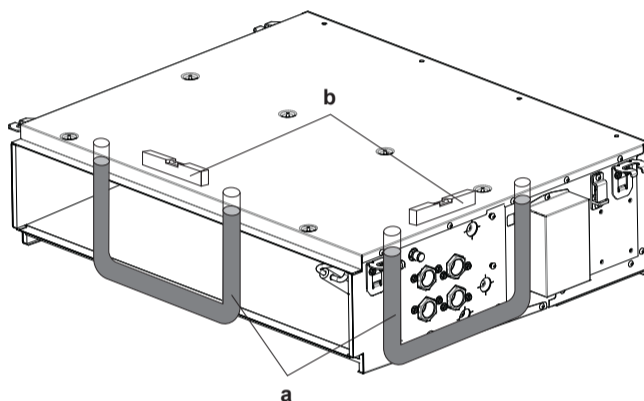
4 Ajustez l'unité pour l'amener dans la position correcte d'installation.



5 Vérifier que l'unité est à niveau horizontalement.

L'unité ne doit pas être installée inclinée. Si l'unité est inclinée dans le sens inverse du flux de condensat (le côté tuyauterie d'évacuation est surélevé), l'eau risque de goutter.

Vérifiez que l'unité est à niveau dans les 4 coins, à l'aide d'un niveau à bulle ou d'un tube en plastique rempli d'eau.



a Tube en plastique
b Niveau

5.1.2 Installation verticale



REMARQUE

Ne forcez PAS lors du raccordement de la tuyauterie. La déformation de la tuyauterie peut entraîner un mauvais fonctionnement de l'unité. Assurez-vous que le couple de serrage est de 3 N•m pour toutes les vis.

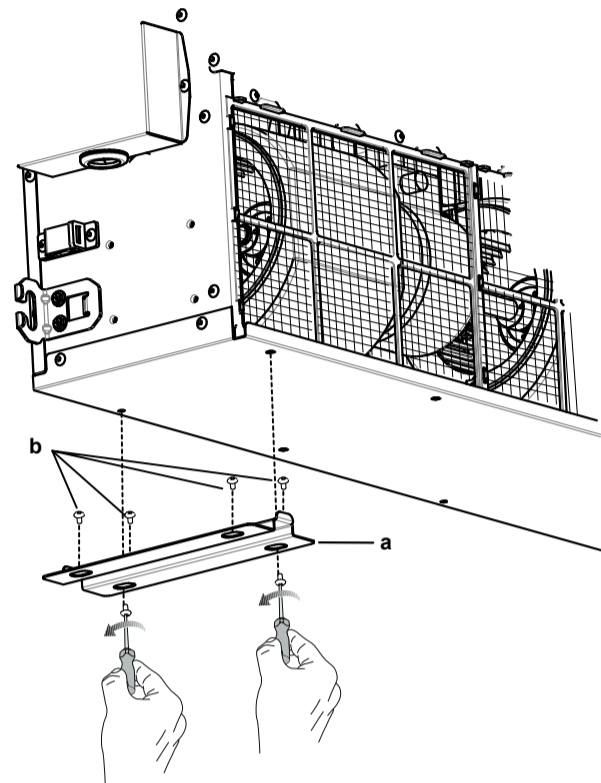


REMARQUE

Le kit en option (ESFH01DS) doit être configuré par un revendeur local pour installer l'unité verticalement.

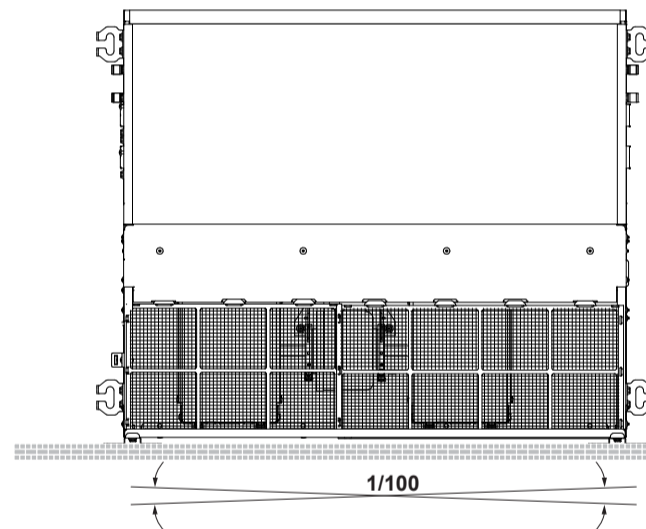
1 Installez l'unité de manière temporaire.

installez l'unité au sol avec les pieds de montage. Veillez à placer l'unité fermement par terre. S'il y a un risque de basculement de l'unité, fixez-la au sol à l'aide de vis dans les trous des pieds de montage.



a Pied de montage
b Vis de fixation

2 Ajustez l'unité pour l'amener dans la position correcte d'installation.



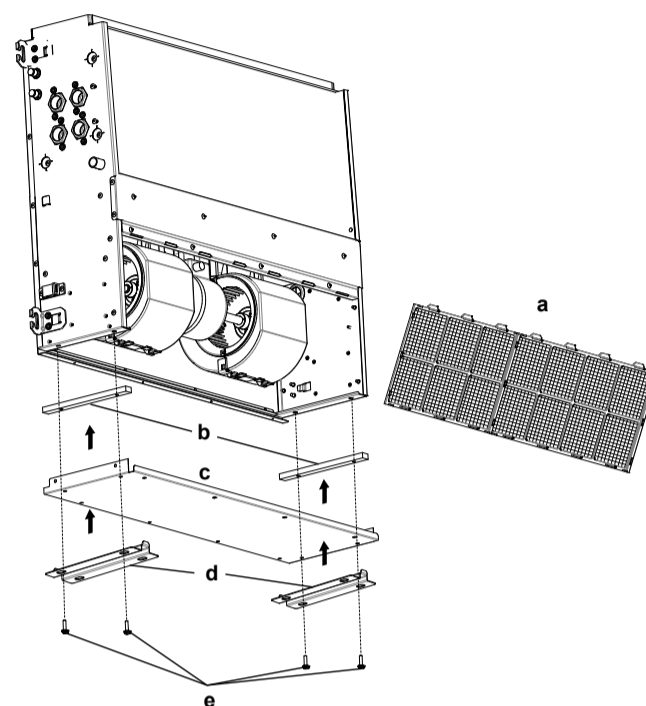
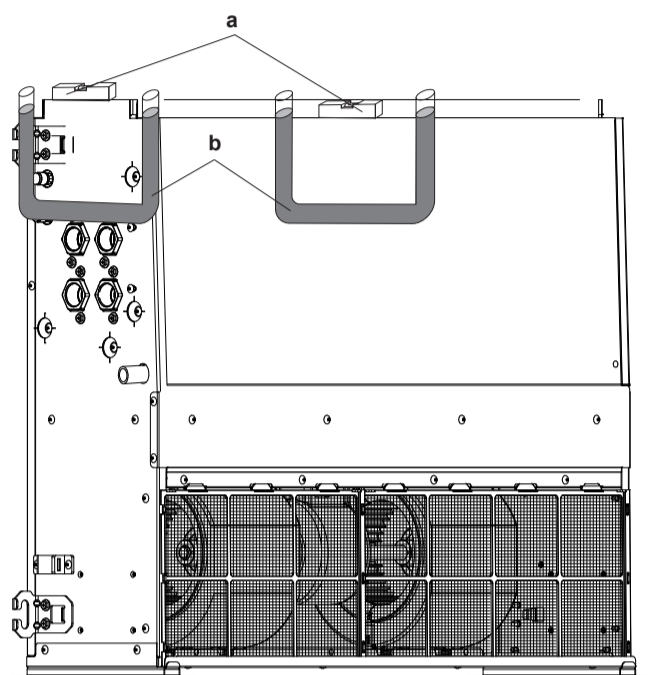
a Niveau
b Tube en plastique

3 Vérifier que l'unité est à niveau horizontalement.

L'unité ne doit pas être installée inclinée. Si l'unité est inclinée dans le sens inverse du flux de condensat (le côté tuyauterie d'évacuation est surélevé), l'eau risque de goutter.

Vérifiez que l'unité est à niveau dans les quatre coins, à l'aide d'un niveau à bulle ou d'un tube en plastique rempli d'eau.

5 Installation



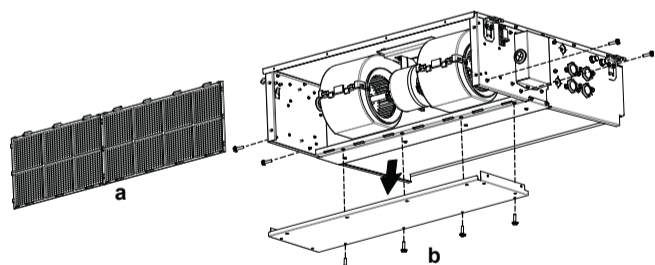
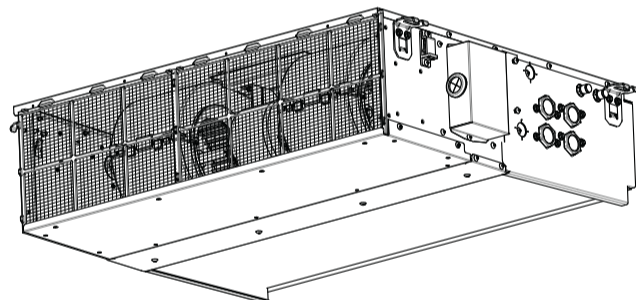
5.2 Passage de l'installation horizontale à l'installation verticale

⚠ ATTENTION

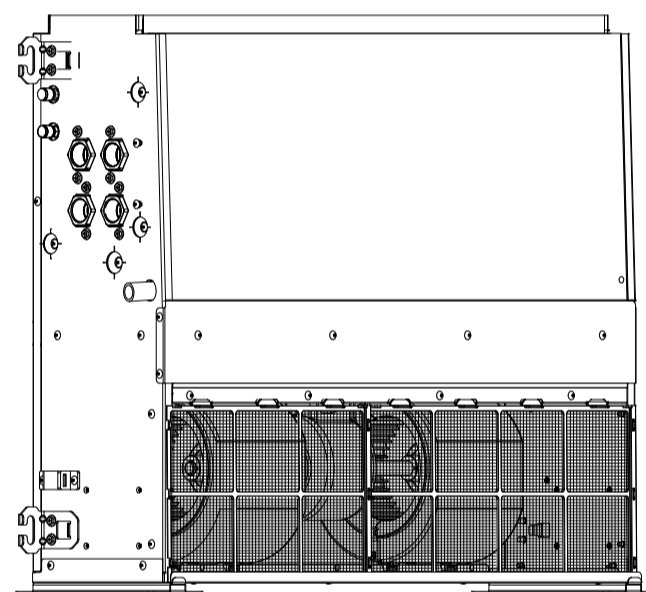
Assurez-vous que l'unité est de niveau dans tous les sens.

En cas de passage de l'installation horizontale à l'installation verticale, veuillez suivre les instructions ci-dessous.

- 1 Retirez le filtre à air.
- 2 Retirez les vis du couvercle de service et retirez-le de l'unité.



- 3 Insérez le support en caoutchouc (inclus dans le kit d'option) dans la zone libre entre la plaque latérale et les brides inférieures.
- 4 Remettez le couvercle de service déposé au bas.
- 5 Fixez 2 pieds de montage du kit d'installation verticale au couvercle de service à l'aide des 4 vis du kit d'option.
- 6 Refixez le filtre à air sur le guide du filtre de couvercle de service.
- 7 L'unité est prête pour l'installation verticale.



- a Filtre à air
- b Couvercle de service
- c Pieds de montage
- d Vis
- e Filtre à air

5.3 Raccordement de la tuyauterie d'eau

⚠ REMARQUE

Ne forcez pas lors du raccordement de la tuyauterie. Cela peut déformer la tuyauterie de l'unité. La déformation de la tuyauterie pourrait entraîner un mauvais fonctionnement de l'unité.

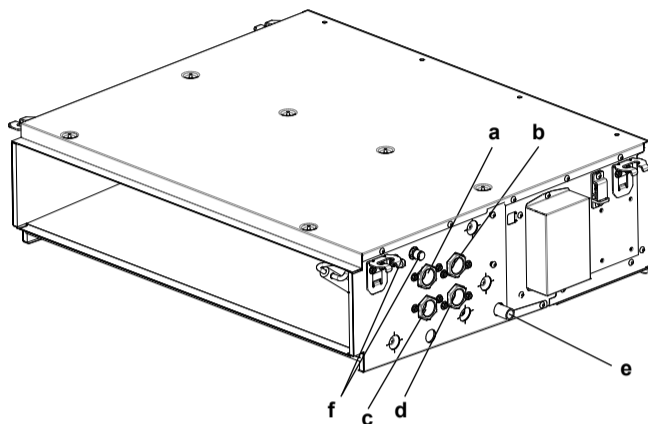
⚠ ATTENTION

Les vannes doivent toujours être utilisées pour contrôler la circulation de l'eau dans l'unité. La vanne doit être du type NC (normalement fermée) pour que les vannes soient fermées lorsque l'unité ne fonctionne pas. Cela empêchera la production d'eau de condensation.

5 Installation

5.3.1 Raccordement de la tuyauterie d'eau

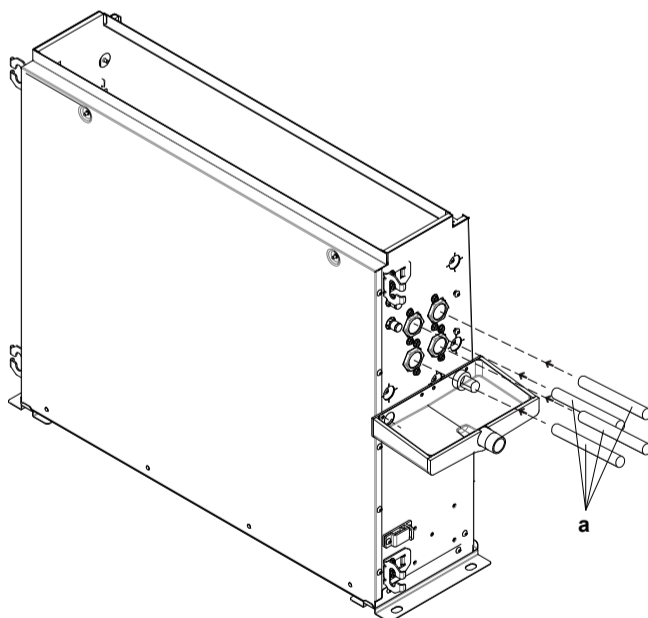
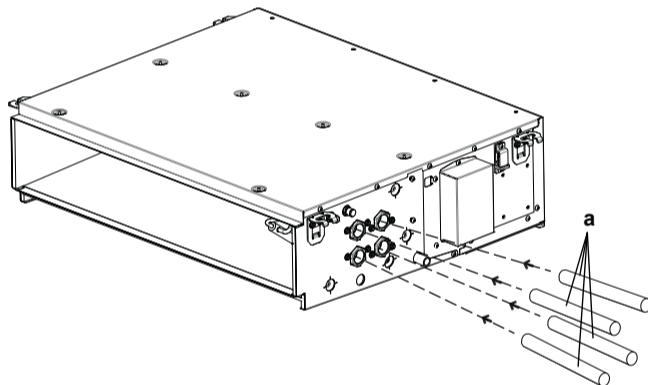
- 1 Raccordez les raccords d'entrée et de sortie d'eau du ventilo-convecteur à la tuyauterie d'eau.



- a Raccord du tuyau de purge (mâle 3/4")
- b Entrée d'eau froide (BSP femelle de 3/4")
- c Sortie d'eau froide (BSP femelle de 3/4")
- d Entrée d'eau de chauffage (BSP femelle de 3/4")
- e Sortie d'eau de chauffage (BSP femelle de 3/4")
- g Purgeur

Remarque: Utilisez un tuyau BSP mâle de 3/4" en cas de raccordement direct à l'unité.

- 2 Le circuit d'eau complet, y compris toute la tuyauterie, doit être isolé de manière à éviter toute condensation ou baisse de capacité.



a Tuyau de raccordement

5.3.2 Remplissage du circuit d'eau

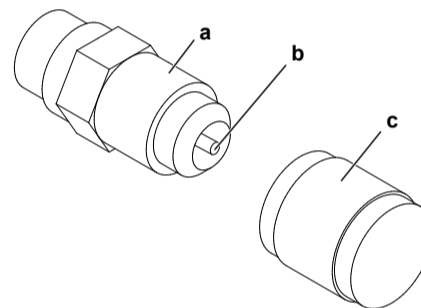
! REMARQUE

Assurez-vous que la qualité de l'eau est conforme à la directive européenne 98/83 CE.

! REMARQUE

- La présence d'air dans le circuit d'eau peut provoquer un dysfonctionnement. Lors du remplissage, il peut s'avérer impossible de retirer tout l'air du circuit. L'air restant sera retiré par les vannes de purge d'air automatique pendant les premières heures de fonctionnement du système. L'ajout d'eau peut être nécessaire par la suite.
- Pour purger le système, utilisez la fonction spéciale décrite dans "6 Mise en service" à la page 49.

- 1 Ouvrez le bouchon.
- 2 Poussez la soupape de surpression pour purger l'air du ou des circuits d'eau de l'unité.
- 3 Fermez le bouchon.
- 4 Il peut être nécessaire de rajouter de l'eau par la suite (mais jamais par la soupape de purge d'air).



- a Purge d'air
- b Soupape de décharge de pression
- c Capuchon

5.4 Raccordement du câblage électrique

5.4.1 À propos du raccordement du câblage électrique

Ordre de montage habituel

Le raccordement du câblage électrique consiste généralement en les étapes suivantes:

- 1 S'assurer que le système électrique est conforme aux spécifications électriques des unités.
- 2 Raccordement du câblage électrique au ventilo-convecteur.
- 3 Changement du sens du câblage électrique (le cas échéant).

5.4.2 Directives de raccordement du câblage électrique

Lors du raccordement de fils de même calibre, raccordez-les conformément à l'illustration ci-dessous.



Respectez les remarques indiquées ci-dessous lors du raccordement du câblage électrique.

5 Installation

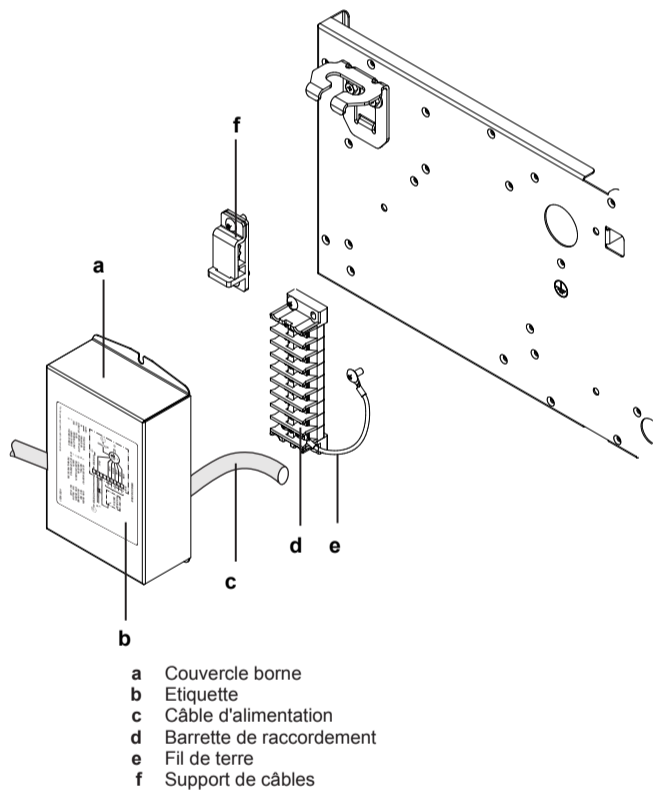
- Ne connectez pas des câbles d'épaisseurs différentes à la borne d'alimentation. Un raccord mal serré peut entraîner une surchauffe.
- Ne pas raccorder des câbles de sections différentes à une même borne de terre. Un raccord mal serré peut détériorer la protection.
- Utilisez le fil électrique spécifié (reportez-vous à "[Spécifications pour le câblage sur site](#)" à la page 42). Connectez correctement le câble à la borne. Utilisez le couple de serrage approprié (N·m).
- Couple de serrage du bornier d'alimentation: 1,44~1,88 N·m.
- Gardez le câblage propre afin que les fils n'obstruent pas les autres appareils et ne forcent pas le couvercle des bornes à s'ouvrir. S'assurer que le couvercle se ferme correctement. Des raccords incomplets peuvent entraîner une surchauffe et, dans le pire des cas, une décharge électrique ou un incendie.

5.4.3 Raccordement du câblage électrique sur le ventilo-convecteur

Reportez-vous à l'étiquette de schéma de câblage sur le couvercle de bornes.

REMARQUE

- Respectez le schéma de câblage électrique (fourni avec l'unité, situé sur le couvercle du coffret électrique).
- Assurez-vous que le câblage électrique ne gêne PAS la remise en place correcte du couvercle d'entretien.



- 1 Retirez le couvercle de bornes et le support de câbles de l'unité.
- 2 Connectez le câble d'alimentation électrique au bornier.
- 3 Fixez le câble d'alimentation électrique avec le support de câbles.
- 4 Refixez le couvercle des bornes à l'unité.

5.4.4 Changement du sens du câblage électrique

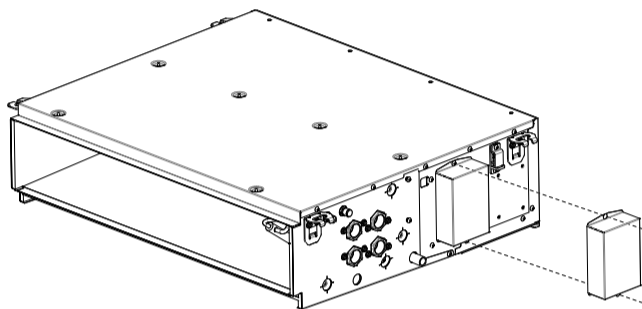
REMARQUE

Le sens du câblage électrique peut être modifié du côté opposé sur place.

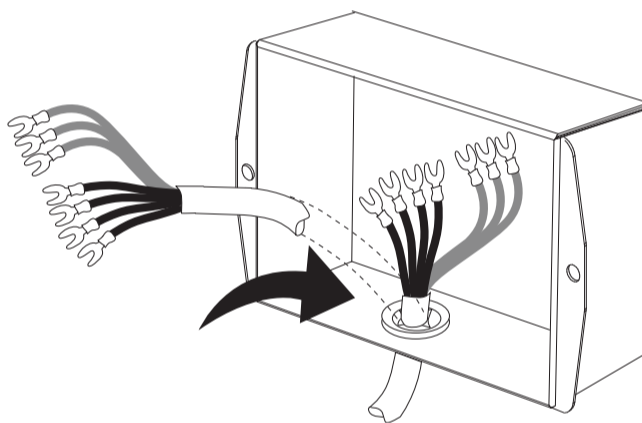
REMARQUE

Lors de la mise en place du couvercle de bornes, veillez à ne pincer aucun fil.

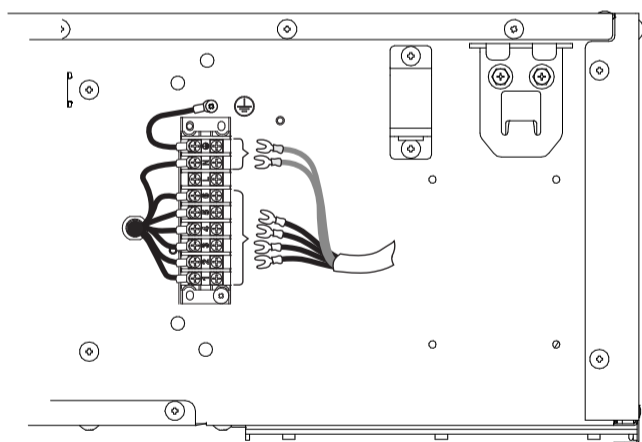
- 1 Retirez le couvercle des bornes, la borne, le support de câble, le fil de terre et les câbles du moteur de ventilateur.



- 2 Dégagez les câbles du moteur de ventilateur des supports de câbles.

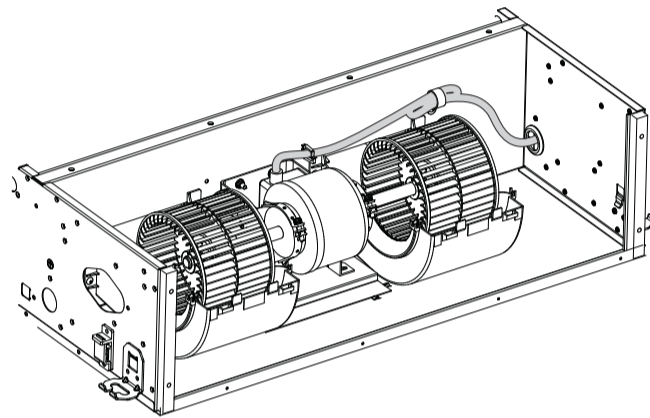
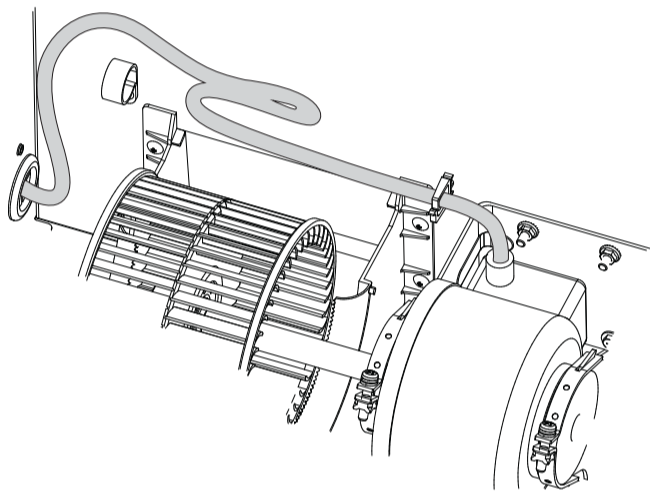
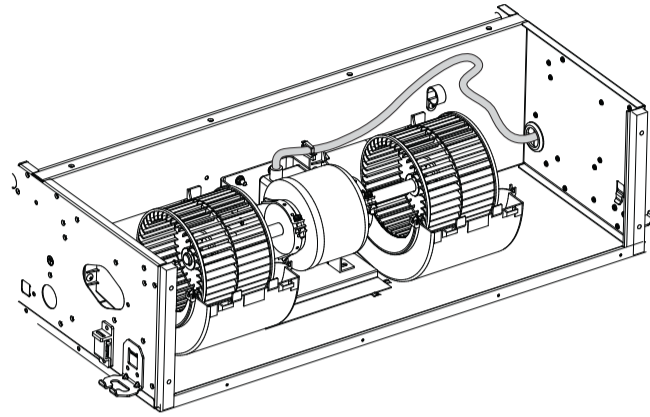
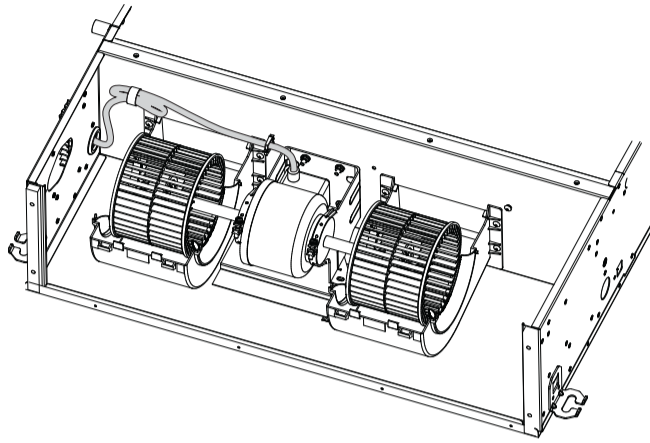


- 3 Changez la direction des câbles du moteur de ventilateur.

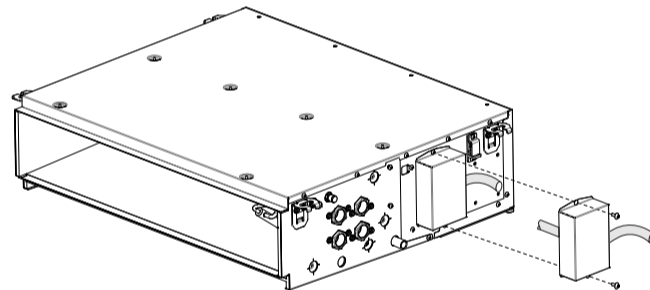
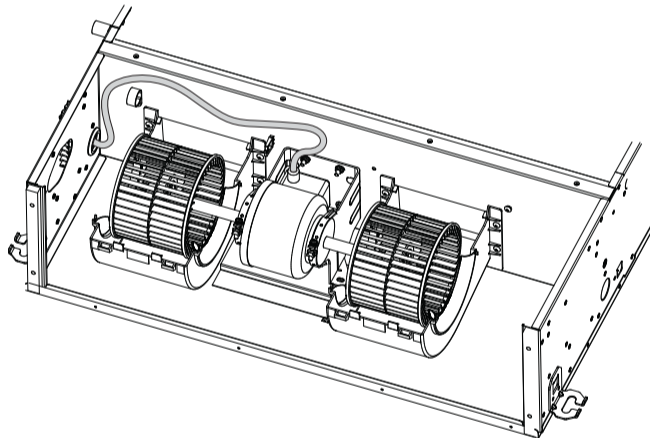


- 4 Fixez les câbles sur la plaque de séparation. Veillez à ce que les câbles inutilisés soient bien fixés avec un serre-câble dans la nouvelle position.

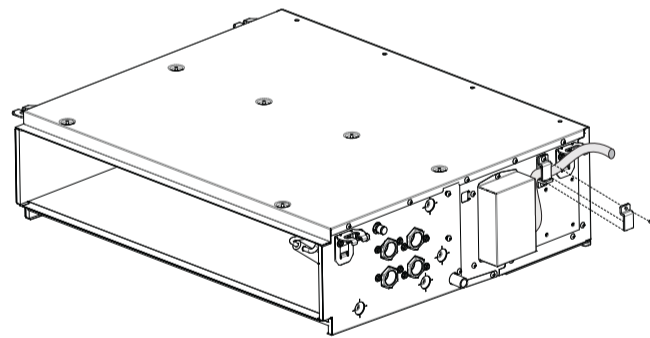
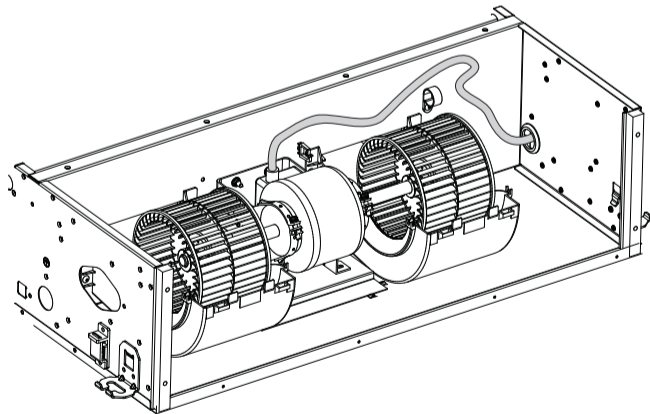
5 Installation



5 Fixez les pièces retirées sur l'unité.



6 Installez le support de câble retiré pour fixer le câble.

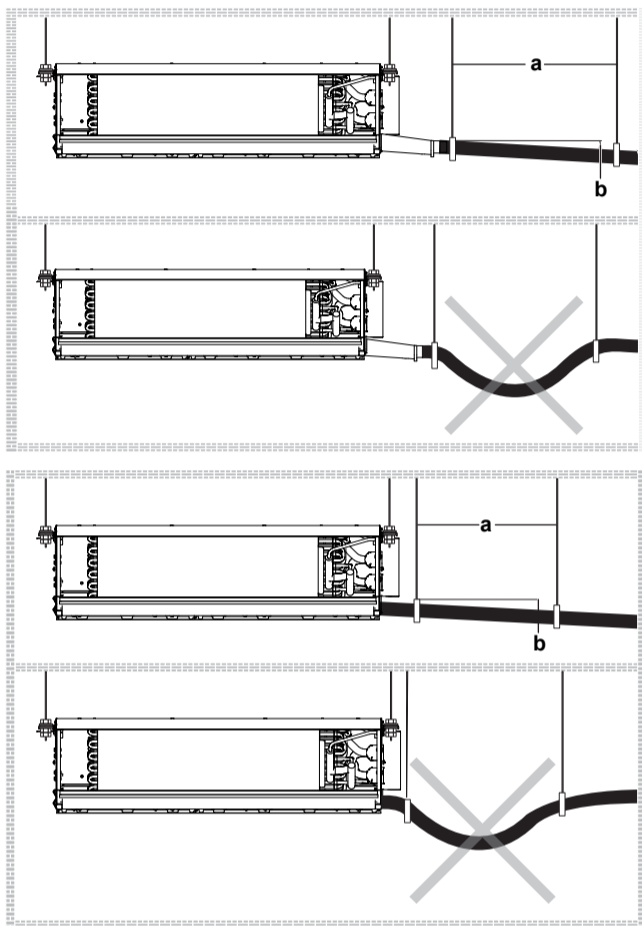


5 Installation

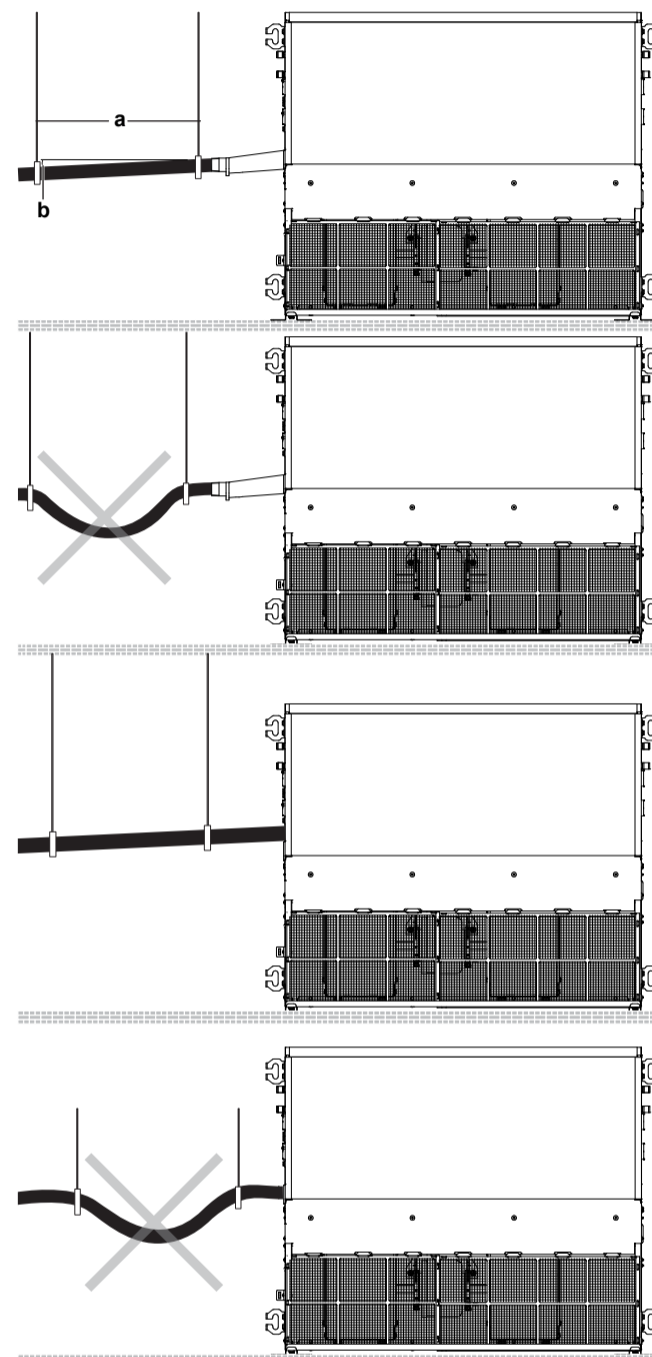
5.5 Raccordement de la tuyauterie de purge

5.5.1 Installation de la tuyauterie d'évacuation sur l'unité

Installation horizontale



Installation verticale



- a Barre de suspension
- b Pente de $\geq 1/100$

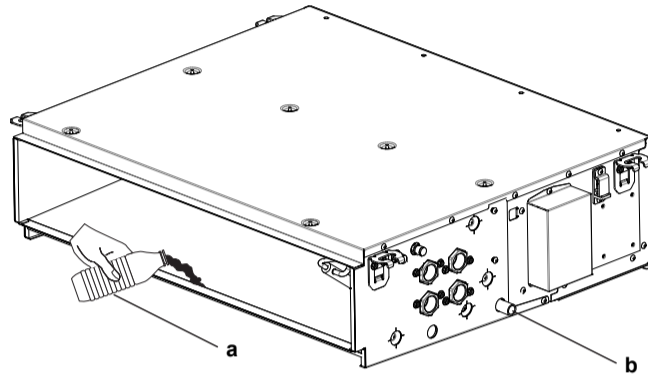
Réduisez autant que possible la longueur de la tuyauterie et inclinez-la vers le bas, selon une pente d'au moins 1/100, de manière à ce que l'air ne reste pas coincé dans le tuyau.

6 Mise en service

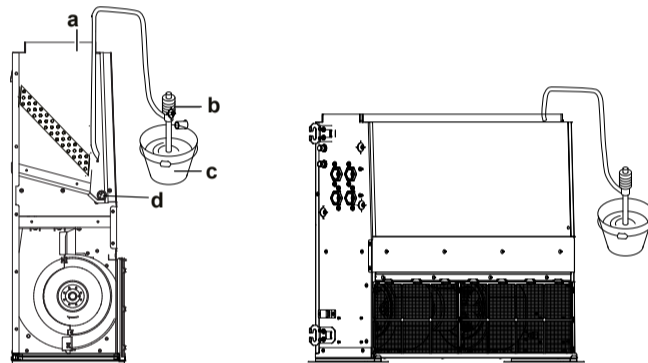
5.5.2 Contrôle de la tuyauterie d'évacuation

Une fois les travaux d'évacuation des condensats terminés, vérifiez que le drainage se déroule en douceur.

- 1 Ajoutez graduellement 1 l d'eau par la sortie d'air.



a Bouteille en plastique
b Douille de purge



a Sortie d'air
b Pompe portable
c Seau
d Douille de purge

- 2 Vérifiez le débit de vidange et confirmez le fonctionnement de la purge en regardant l'orifice de vidange.

6 Mise en service

Veillez fournir au client les données Eco Design selon (EU)2016/2281. Ces données se trouvent dans le guide de référence de l'installateur ou sur le site Web de Daikin.



REMARQUE

Utilisez TOUJOURS l'unité avec des thermistances et/ou des capteurs/contacteurs de pression. A défaut, il y a un risque que le compresseur brûle.

6.1 Essai de fonctionnement

Après installation, l'installateur a pour obligation de vérifier le fonctionnement. En cas de problème au niveau de l'unité et si l'unité ne fonctionne pas, contactez votre revendeur le plus proche.



REMARQUE

N'interrompez pas le test.



REMARQUE

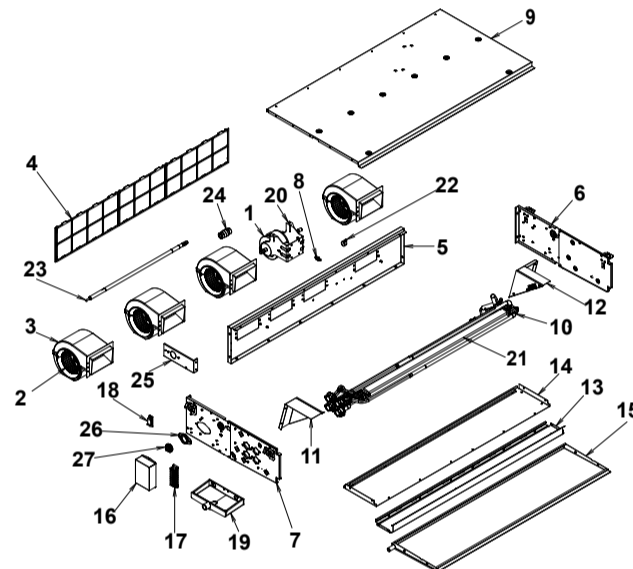
NE TENTEZ PAS de démonter le système: le démontage du système et le traitement du réfrigérant, de l'huile et des autres pièces DOIVENT être conformes à la législation en vigueur. Les unités DOIVENT être traitées dans des établissements spécialisés de réutilisation, de recyclage et de remise en état.



AVERTISSEMENT

Prenez des mesures adaptées afin que l'unité ne puisse pas être utilisée comme abri par les petits animaux. Les petits animaux qui entrent en contact avec des pièces électriques peuvent provoquer des dysfonctionnements, de la fumée ou un incendie.

Utilisez un outil approprié pour retirer les vis. Le produit peut être démonté comme indiqué ci-dessous.



FWE-D Liste des instructions de recyclage

Matériaux	Élément
Partie électrique (moteur de ventilateur + condensateur)	1
Aluminium (aillette) + cuivre (tube) + acier galvanisé (plaque) + laiton	10
Plastique	2, 18, 8, 22, 27
Plastique + métal	3, 17, 24
Plastique (cadre) + plastique (filet)	4
Acier galvanisé	5, 9, 13, 14, 16, 20, 23, 25, 26
Acier galvanisé + mousse plastique	6, 7, 11, 12, 15, 19
Mousse plastique	21

7 Maintenance et entretien

6.2 Liste de contrôle avant la mise en service

Après l'installation de l'unité, vérifiez d'abord les points ci-dessous. Une fois tous les contrôles effectués, l'unité doit être fermée. Mettez l'unité sous tension une fois qu'elle est fermée.

<input type="checkbox"/>	Installation Afin d'éviter des vibrations et des bruits anormaux au démarrage de l'unité, s'assurer que l'unité est correctement installée.
<input type="checkbox"/>	Vidange Assurez-vous que l'écoulement se fait régulièrement. Conséquence possible: De l'eau de condensation peut s'égoutter.
<input type="checkbox"/>	Tension de l'alimentation S'assurer que la tension de l'alimentation du panneau d'alimentation local. La tension DOIT correspondre à la tension indiquée sur l'étiquette d'identification de l'unité.
<input type="checkbox"/>	Câblage de mise à la terre Assurez-vous que les câbles de mise à la terre ont été correctement raccordés et que les bornes de terre sont bien serrées.
<input type="checkbox"/>	Fusibles, disjoncteurs ou dispositifs de protection Vérifiez que les fusibles, disjoncteurs ou les dispositifs de protection installés localement sont de la taille et du type spécifiés dans "4.4 Preparing electrical wiring" à la page 41. Assurez-vous qu'aucun fusible ou dispositif de protection n'a été court-circuité.
<input type="checkbox"/>	Câblage interne Vérifiez visuellement le boîtier des composants électriques et l'intérieur de l'unité pour voir s'il n'y a pas de connexions détachées ou tout endommagement des composants électriques.
<input type="checkbox"/>	Équipement endommagé Vérifiez l'intérieur de l'unité afin de vous assurer qu'aucun composant n'est endommagé ou qu'aucune conduite n'est coincée.
<input type="checkbox"/>	Entrée/sortie d'air Vérifier que l'entrée et la sortie d'air de l'unité ne sont PAS obstruées par des feuilles de papier, des cartons ou tout autre matériel.

7 Maintenance et entretien

REMARQUE

L'entretien DOIT être effectué par un installateur agréé ou un agent technique.

Nous recommandons d'effectuer l'entretien au moins une fois par an. Cependant, la législation en vigueur pourrait exiger des intervalles d'entretien plus rapprochés.

7.1 Pour nettoyer le filtre à air

Quand

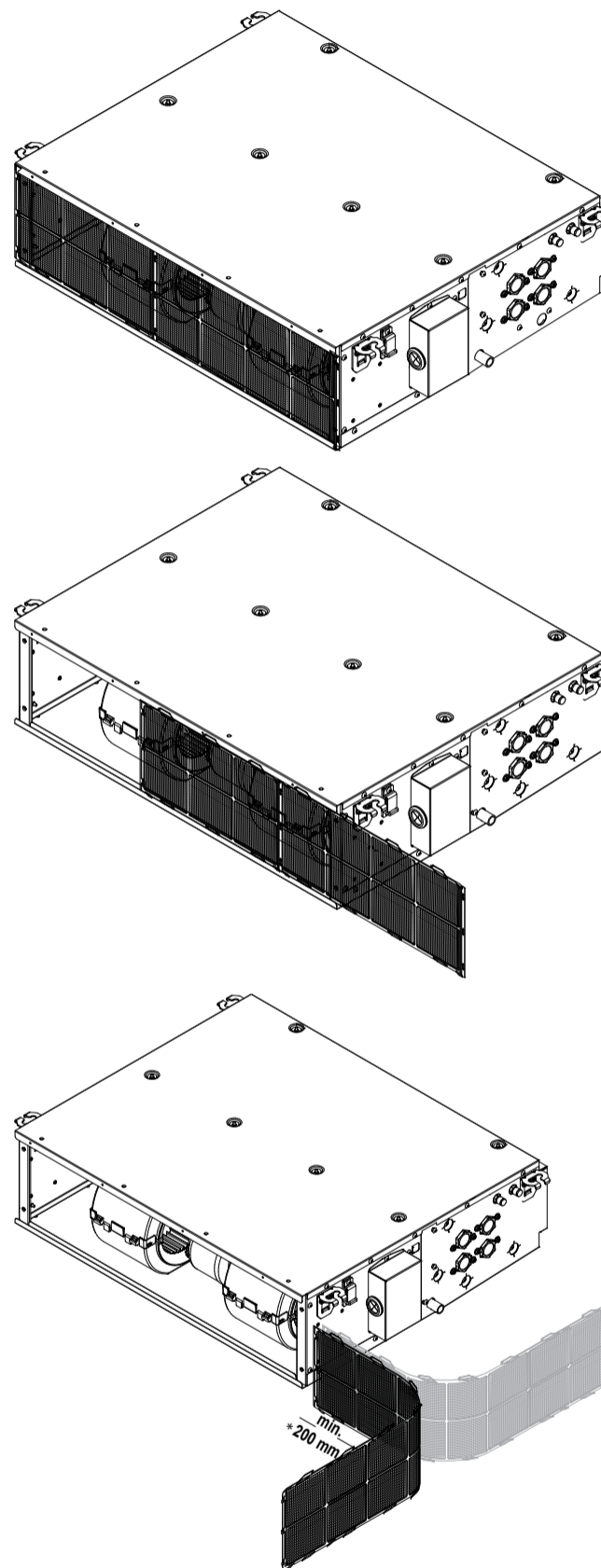
- Une fois tous les 6 mois. Si l'air de la pièce est extrêmement encrassé, augmentez la fréquence de nettoyage.
- Si la saleté devient impossible à nettoyer, remplacez le filtre à air par un équipement d'origine.

Comment

- 1 Coupez l'alimentation électrique.
- 2 Le filtre à air peut être installé à 1 ou 2 endroits sur ce produit (côté et bas). Retirez le filtre en le faisant glisser comme illustré ci-dessous.

Installation horizontale

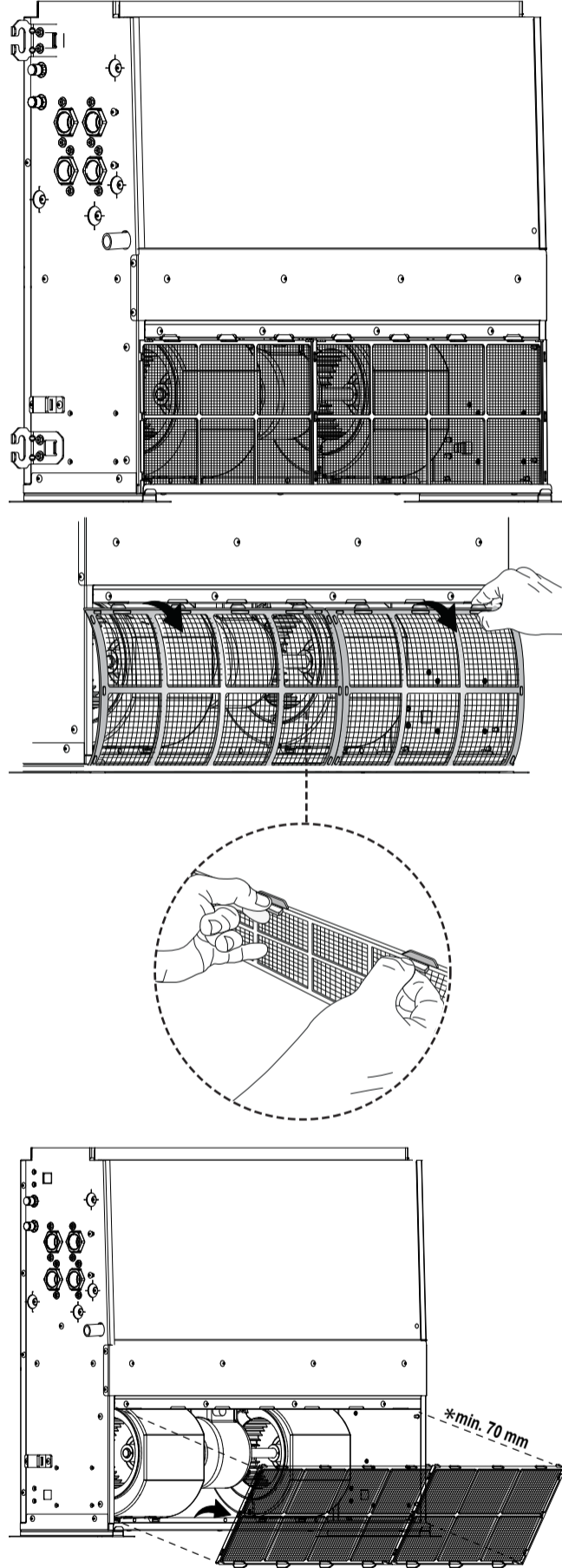
Retirez le filtre en le faisant coulisser.



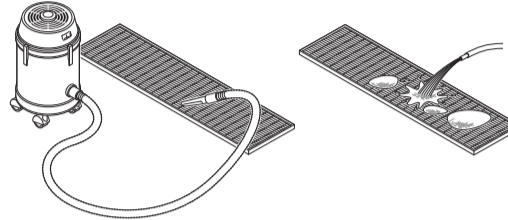
7 Maintenance et entretien

Installation verticale

Poussez la languette du filtre, puis tirez-la vers l'arrière.



- 3 Utilisez un aspirateur ou nettoyez le filtre à air avec de l'eau. Si le filtre à air est très sale, utilisez une brosse douce et un produit détergent neutre.



- 4 Remettez le filtre à air dans sa position d'origine.

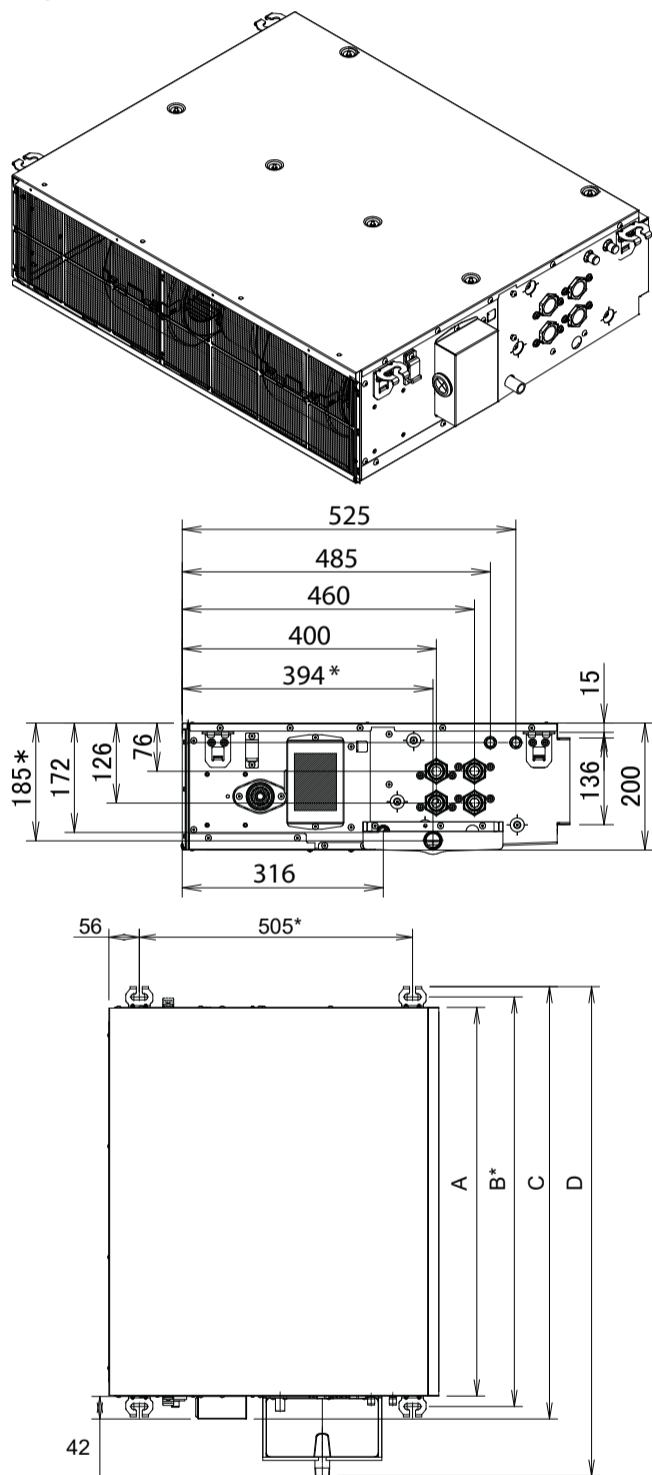
8 Données techniques

8 Données techniques

- Un **sous-ensemble** des récentes données techniques est disponible sur le site régional Daikin (accessible au public).
- L'**ensemble complet** des dernières données techniques est disponible sur le Daikin Business Portal (authentification requise).

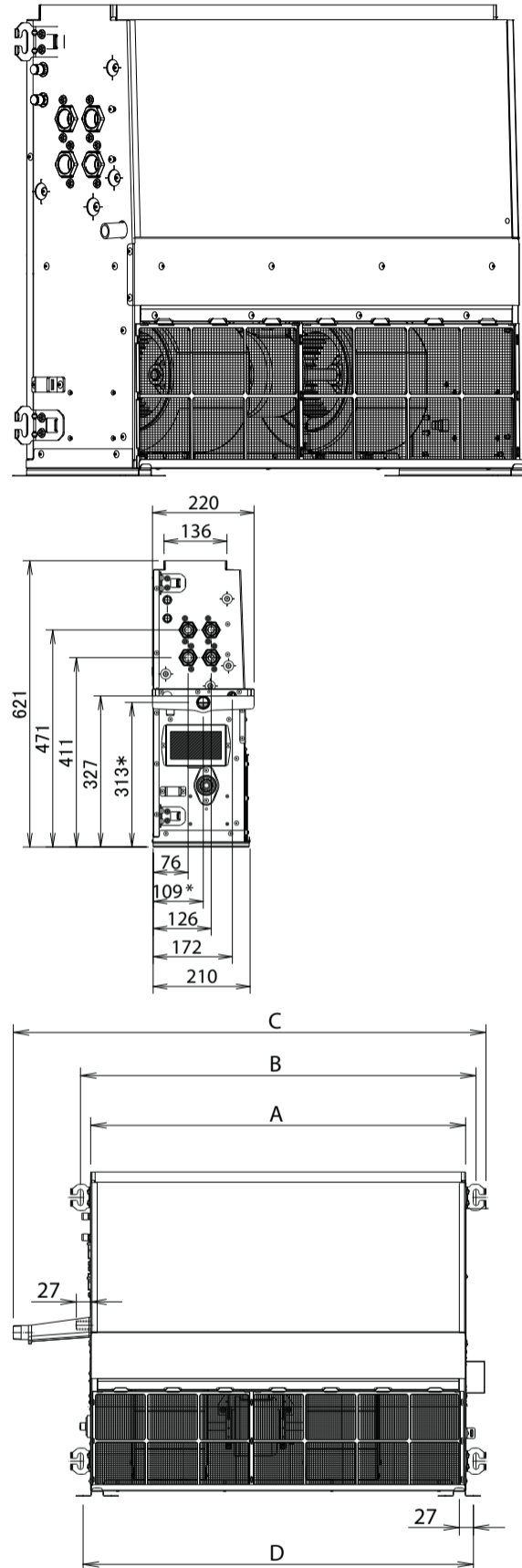
8.1 Dimensions

Disposition horizontale



Unités: mm	A	B	C	D
FWE03~05	719	757	799	909
FWE06	919	957	999	1109
FWE07~11	1119	1157	1199	1309

Disposition verticale



Unité: mm	A	B	C	D
FWE03~05	719	757	909	747
FWE06	919	957	1109	947
FWE07~11	1119	1157	1309	1147

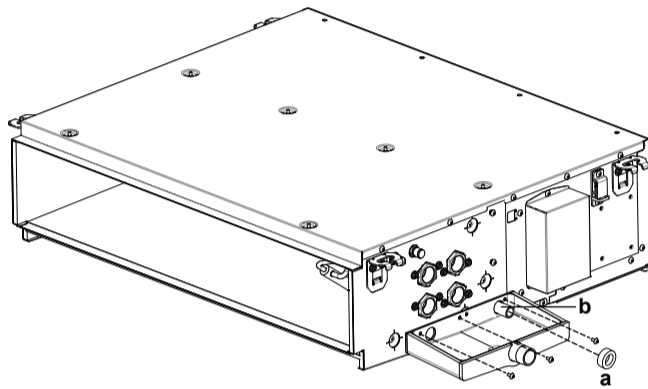
8 Données techniques

Bac de purge réglable (horizontalement/verticalement)

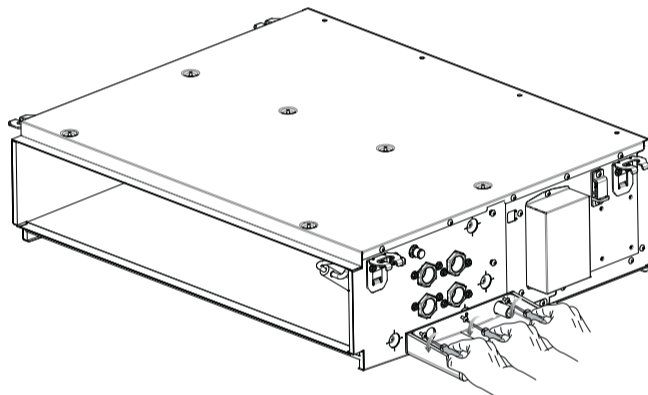


ATTENTION

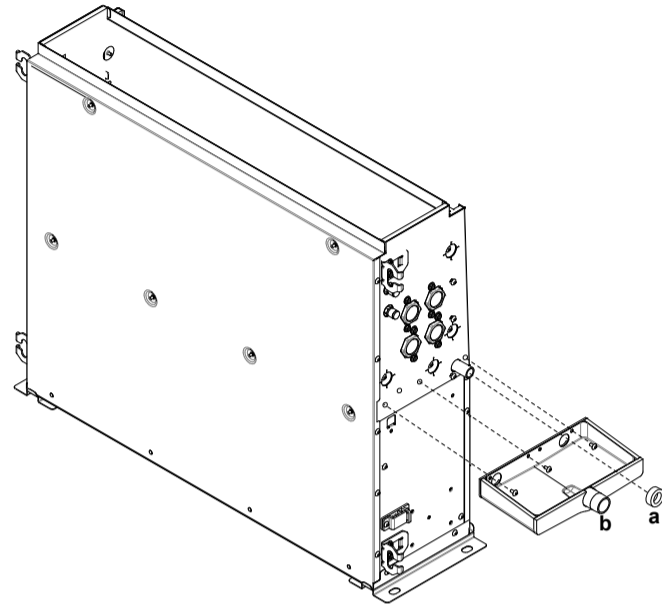
Veillez à fixer le caoutchouc du raccord de purge après avoir installé le bac de purge supplémentaire. Sinon, la condensation sur l'unité principale ou les tuyaux d'eau, la saleté du filtre à air ou le colmatage du système de purge peuvent provoquer des écoulements, ce qui peut souiller ou abîmer l'objet concerné.



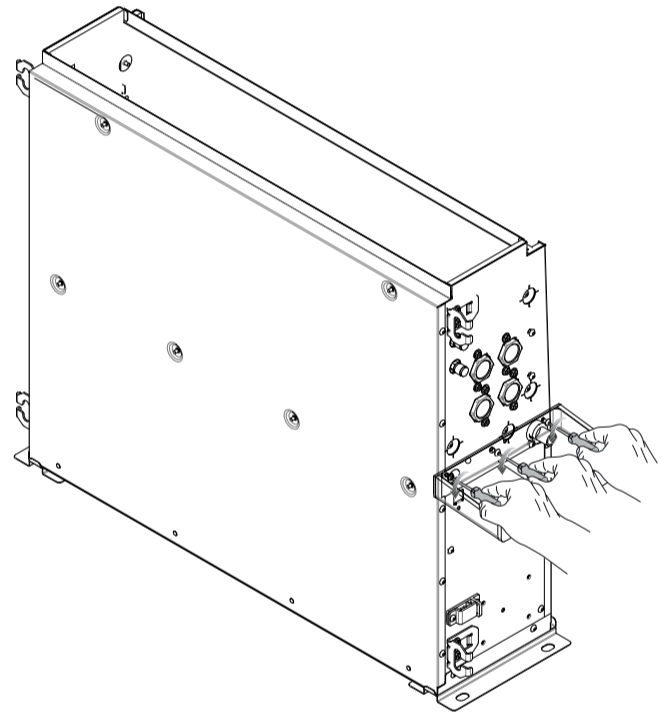
- a Caoutchouc du raccord de purge
- b Raccord de purge supplémentaire



Bac de purge réglable (verticalement)




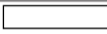



- a Caoutchouc du raccord de purge
- b Raccord de purge supplémentaire



8 Données techniques

8.2 Schéma de câblage

Sur la borne

Anglais	Traduction
	Raccordement
X1M	Borne principale
-----	Alimentation sur place
	PCA
	Terre de protection
	Terre
	Câble sur place

Câble du moteur du ventilateur

WHT	Blanc
GRN	Vert
RED	Rouge
ORG	Orange
BRN	Marron
YLW	Jaune
BLU	Bleu
GRN/YLW	Vert/jaune
C1	Condensateur
F1U	Fusible
X1M	Barrette de raccordement
M	Moteur de ventilateur

8.3 Exigences d'information pour l'éco-conception

Suivez les étapes ci-dessous pour consulter l'étiquette-énergie – Lot 21 de l'unité et des combinaisons extérieur/intérieur.

- 1 Ouvrez la page Web suivante: <https://energylabel.daikin.eu/>
- 2 Pour continuer, choisissez:
 - "Continue to Europe" pour le site international.
 - "Other country" pour un site national.

Résultat: Vous êtes dirigé vers la page "Efficacité saisonnière".

- 3 Sous "Eco Design – Ener LOT 21", cliquez sur "Générez votre étiquette".

Résultat: Vous êtes dirigé vers la page "Efficacité saisonnière (LOT 21)".

- 4 Suivez les instructions sur la page Web pour sélectionner l'unité correcte.

Résultat: Une fois la sélection effectuée, la fiche technique LOT 21 peut être consultée au format PDF ou sur une page HTML.



INFORMATIONS

D'autres documents (par ex. manuels...) peuvent également être consultés à partir de la page Web qui en résulte.

Inhoudsopgave

Inhoudsopgave

1	Over de documentatie	56
1.1	Over dit document	56
1.2	Betekenis van de waarschuwingen en symbolen	56
1.3	Algemeenheden	56
2	Over de doos	57
2.1	Overzicht: Over de doos	57
2.2	Uitpakken en omgaan met de ventilo-convectoren	57
2.3	Accessoires van de ventilo-convectoren verwijderen	57
3	Over de unit	57
3.1	Overzicht: Over de units en opties	57
3.2	Identificatie	58
3.2.1	Identificatielabel: Ventilo-convectoren	58
4	Vorbereiding	58
4.1	Overzicht: Vorbereiding	58
4.2	Installatieplaats voorbereiden	58
4.3	De waterleidingen voorbereiden	59
4.4	De elektrische bedrading voorbereiden	59
4.4.1	Over elektrische bedrading voorbereiden	59
5	Installatie	60
5.1	Ventilo-convectoren monteren	60
5.1.1	Horizontale installatie	60
5.1.2	Verticale installatie	61
5.2	Van horizontale naar verticale installatie veranderen	62
5.3	De waterleidingen aansluiten	62
5.3.1	De waterleidingen aansluiten	63
5.3.2	Het watercircuit vullen	63
5.4	De elektrische bedrading aansluiten	63
5.4.1	Over het aansluiten van de elektrische bedrading	63
5.4.2	Richtlijnen voor het aansluiten van de elektrische bedrading	63
5.4.3	Elektrische bedrading aansluiten op de ventilo-convectoren	64
5.4.4	Elektrische bedrading van kant veranderen	64
5.5	Afvoerleiding aansluiten	66
5.5.1	Afvoerleiding installeren op de unit	66
5.5.2	Afvoerleiding controleren	67
6	Inbedrijfstelling	67
6.1	Proefdraaien	67
6.2	Checklist voor de inbedrijfstelling	68
7	Onderhoud en service	68
7.1	Luchtfilter reinigen	68
8	Technische gegevens	70
8.1	Afmetingen	70
8.2	Bedradingsschema	72
8.3	Informatievereisten voor ecologisch ontwerp	73

1 Over de documentatie

1.1 Over dit document

Bedoeld publiek

Erkende installateurs

INFORMATIE

Dit apparaat is bedoeld om in werkplaatsen, in de lichte industrie en in boerderijen door deskundige of geschoolde gebruikers gebruikt te worden of, in de handel en in huishoudens, door niet gespecialiseerde personen.

Documentatieset

Dit document is een onderdeel van een documentatieset. De volledige set omvat:


Laatste herzieningen van de meegeleverde documentatie kunnen op de regionale Daikin-website of via uw dealer beschikbaar zijn.

De documentatie is oorspronkelijk in het Engels geschreven. Alle andere talen zijn vertalingen.

• Montagehandleiding ventilo-convectoren:

- Installatie-instructies
- Formaat: Papier (in de doos van de ventilo-convectoren)


1.2 Betekenis van de waarschuwingen en symbolen

 **GEVAAR**
Duidt op een situatie die de dood of ernstige verwondingen als gevolg heeft.


 **GEVAAR: GEVAAR VOOR ELEKTROCUTIE**
Duidt op een situatie die elektrocutie kan veroorzaken.


 **GEVAAR: RISICO OM ZICH TE VERBRANDEN**
Duidt op een situatie die brandwonden kan veroorzaken als gevolg van extreem hoge of lage temperaturen.

 **GEVAAR: ONTPLOFFINGSGEVAAR**
Duidt op een situatie die een ontploffing kan veroorzaken.




 **WAARSCHUWING**
Duidt op een situatie die de dood of ernstige verwondingen als gevolg zou kunnen hebben.

 **WAARSCHUWING: ONTVLAMBAAR MATERIAAL**

 **VOORZICHTIG**
Duidt op een situatie die kleine of matige verwondingen als gevolg zou kunnen hebben.

 **OPMERKING**
Duidt op een situatie die schade aan apparatuur of eigendom zou kunnen berokkenen.

 **INFORMATIE**
Duidt op nuttige tips of bijkomende informatie.

Symbol	Verklaring
	Lees de montagehandleiding, de gebruiksaanwijzing en het instructievel voor de bedrading alvorens te beginnen met de installatie.
	Lees de servicehandleiding alvorens onderhouds- en servicewerkzaamheden uit te voeren.
	Voor meer informatie, zie de uitgebreide handleiding voor de installateur en de gebruiker.

1.3 Algemeenheden

Indien u twijfels heeft over de installatie of de bediening van de unit, neem contact op met uw dealer.

OPMERKING
Een foute installatie of bevestiging van apparatuur, uitrustingen of accessoires kan elektrische schokken, een kortsluiting, lekken, brand of schade aan de apparatuur of uitrustingen als gevolg hebben. Gebruik enkel accessoires, optionele apparatuur en uitrustingen en reserveonderdelen die door Daikin gemaakt of goedgekeurd werden.

WAARSCHUWING
Zorg ervoor dat de materialen die voor de installatie en de testen gebruikt worden, voldoen aan de geldende wetgeving (bovenop de instructies beschreven in de Daikin-documentatie).

VOORZICHTIG
Draag gepaste persoonlijke beschermingsuitrustingen (beschermende handschoenen, veiligheidsbril, enz.) wanneer u het systeem installeert of onderhoudt.

WAARSCHUWING
Scheur plasticverpakkingen aan stukken en gooi deze weg zodat niemand, kinderen in het bijzonder, ermee kan spelen. Mogelijk risico: verstikking.

WAARSCHUWING
Neem gepaste maatregelen om te beletten dat de unit door kleine dieren als schuilplaats gebruikt kan worden. Kleine dieren die in contact komen met elektrische onderdelen kunnen storingen, rook of brand veroorzaken.

VOORZICHTIG
Raak de luchtinlaat of de aluminiumlamellen van de unit NIET aan.

OPMERKING

- Plaats GEEN voorwerpen, apparatuur of uitrustingen bovenop de unit.
- Zit, klim of sta NIET op de unit.

GEVAAR: GEVAAR VOOR ELEKTROCUTIE

- Zorg ervoor dat het systeem correct is geaard.
- Schakel de voeding uit alvorens aan servicewerkzaamheden te beginnen.
- Installeer het deksel van de schakelkast alvorens de voeding in te schakelen.

VOORZICHTIG

- Controleer of de installatieplaats het gewicht van de unit kan dragen. Een slechte installatie kan gevaarlijk zijn. Het kan ook trillingen of ongewone werkingsgeluiden veroorzaken.
- Voorzie voldoende ruimte voor service.
- Installeer de unit zo dat ze NIET in contact komt met een plafond of een muur; anders kan dit trillingen veroorzaken.

GEVAAR: GEVAAR VOOR ELEKTROCUTIE
Gebruik de ventilo-convectoren niet met natte handen. Anders kunt u een elektrische schok oplopen.

2 Over de doos

2.1 Overzicht: Over de doos

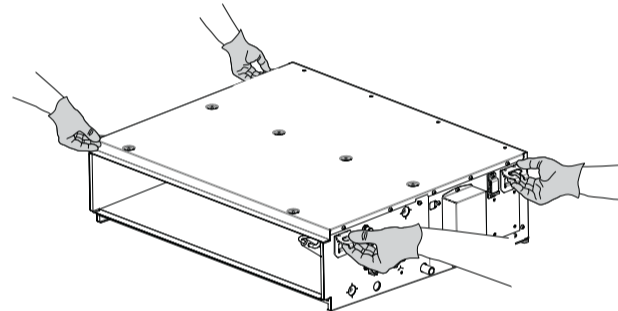
Denk aan de volgende punten:

- De unit MOET bij de levering gecontroleerd worden op beschadigingen. Elke vorm van beschadiging MOET onmiddellijk aan de schadeverantwoordelijke van de transporteur gemeld worden.
- Breng de verpakte unit zo dicht mogelijk bij de uiteindelijke installatieplaats om beschadiging tijdens het transport te voorkomen.
- Maak de weg waarlangs u de unit naar binnen zult brengen op voorhand klaar.

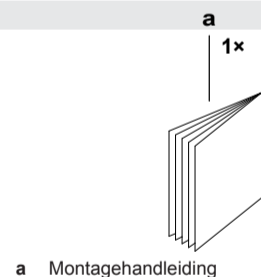
2.2 Uitpakken en omgaan met de ventilo-convector

Gebruik een draagband van zacht materiaal of beschermende platen met een touw om de unit op te heffen. Zo voorkomt u dat de unit beschadigd of gekrast wordt.

- Hef de unit op aan de ophangbeugels zonder druk uit te oefenen op andere delen, met name de afvoerleiding en thermische isolatie.



2.3 Accessoires van de ventilo-convector verwijderen



a Montagehandleiding

3 Over de unit

3.1 Overzicht: Over de units en opties

Dit hoofdstuk bevat informatie over:

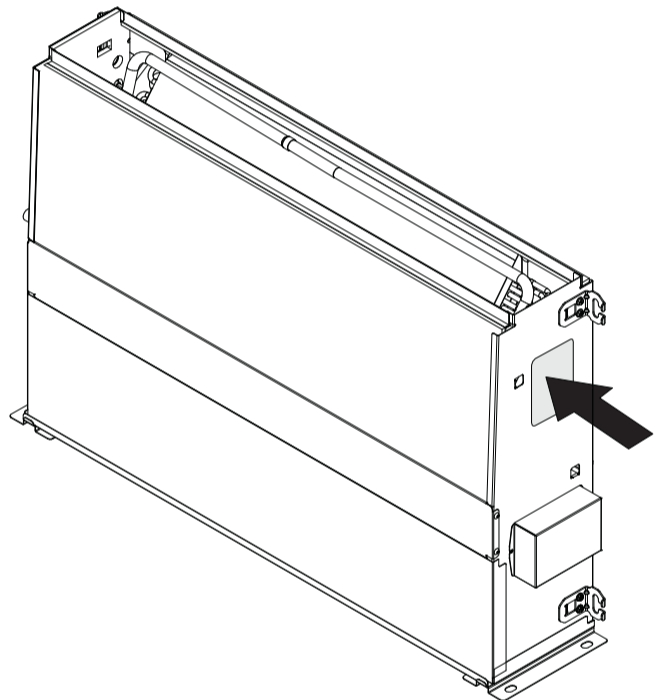
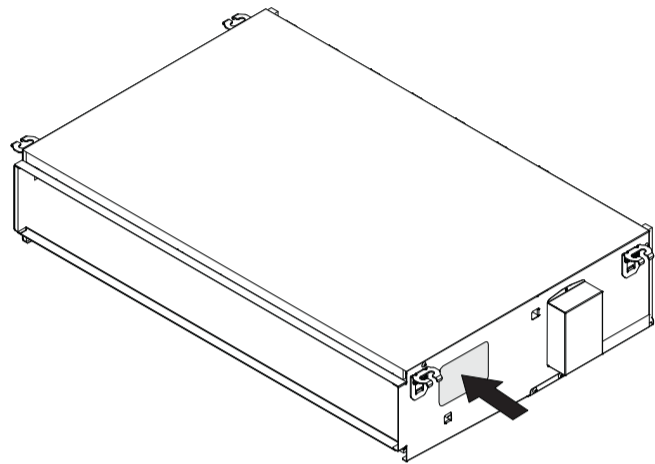
- Ventilo-convector identificeren.

4 Voorbereiding

3.2 Identificatie

3.2.1 Identificatielabel: Ventilatorconvector

Plaats



Modelidentificatie

Voorbeeld: FW E 03 D A F N 5 V3 — L

Code	Beschrijving
FW	Ventilatorconvector met wateraansluiting
E	Flex lage statische druk (LSP) zonder behuizing
03	Capaciteitsklasse: 03=1,5 kW
D	Belangrijke modelwijziging (A tot Z)
A	Kleine wijziging
F	4 leidingen
N	Zonder klep
5	Hendek fabriek
V3	Ventilatormotor / enkelfasig / 50 Hz / 220~240 V
—	Geen optie

Code	Beschrijving
L	S: Water links – Elektrische aansluiting links L: Water links – Elektrische aansluiting rechts T: Water rechts – Elektrische aansluiting rechts R: Water rechts – Elektrische aansluiting links

4 Voorbereiding

4.1 Overzicht: Voorbereiding

In dit hoofdstuk wordt beschreven wat u moet doen en wat u moet weten alvorens u ter plaatse gaat.

Het bevat informatie over:

- Installatieplaats voorbereiden
- Waterleiding voorbereiden
- Elektrische bedrading voorbereiden

4.2 Installatieplaats voorbereiden



WAARSCHUWING

Plaats GEEN voorwerpen die nat kunnen worden onder de ventilatorunit. Anders kan condenswater op de hoofdunit of de waterleidingen, vuil op het luchtfilter of een verstopte afvoer gaan druppelen, waardoor het voorwerp in kwestie vuil of defect kan geraken.



OPMERKING

Raadpleeg uw dealer om te controleren of de externe statische druk van de unit niet wordt overschreden.

Installeer of gebruik de unit niet op onderstaande plaatsen.

- Plaatsen verzadigd met minerale olie, of vol oliedampen of olienevel zoals in een keuken (schade aan plastic onderdelen).
- Plaatsen met bijtende gassen zoals zwavelgas. Koperen leidingen en lasnaden kunnen corroderen.
- Waar de lucht een hoog zoutgehalte heeft, bijvoorbeeld aan zee, en wanneer er grote spanningsschommelingen zijn (bijv. in een fabriek). Dit geldt tevens voor voertuigen of schepen.
- In plaatsen met toestellen of machines die elektromagnetische golven uitzenden. Elektromagnetische golven kunnen het besturingssysteem storen, waardoor de apparatuur slecht kan werken.
- In plaatsen met brandgevaar omwille van lekkende ontvlambare gassen (zoals verdunners of benzine), koolstofvezels, ontvlambaar stof.

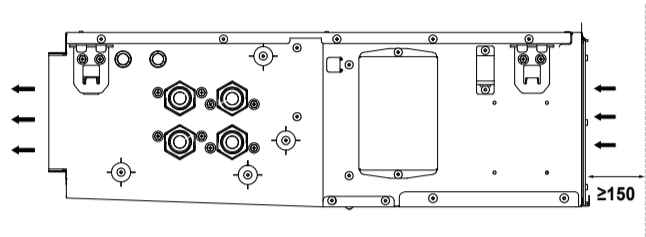
Kies een installatieplaats waar aan de volgende voorwaarden wordt voldaan en waar de klant het mee eens is.

Voldoende vrije ruimte rond de unit voor onderhoud en service. De ruimte rond de unit moet voldoende luchtcirculatie en luchtverspreiding toelaten. Zie de ruimte vereist voor de installatie.

4 Voorbereiding

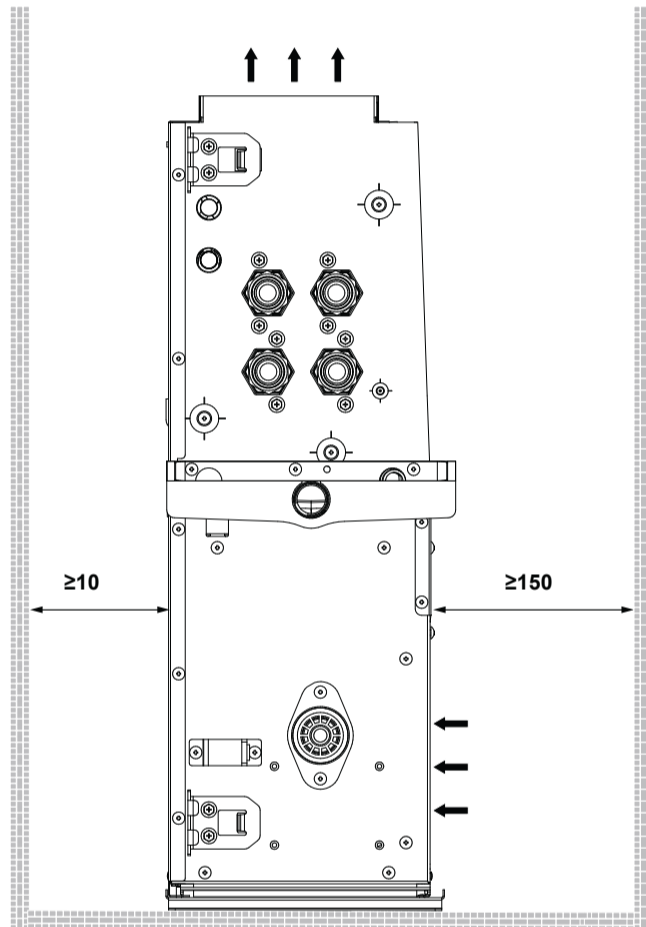
Horizontale installatie

Wanneer de unit in het plafond hangt, moet zij op $\geq 2,5$ m van de vloer worden geïnstalleerd.



Verticale installatie

Voorzie de aangegeven verticale ruimte voor onderhoud van het filter.



VOORZICHTIG

Gebruik bij een verticale installatie geen ophangbouten. Gebruik voor een verticale installatie de verticale installatiekit (ESFH01DS).

4.3 De waterleidingen voorbereiden

De unit is voorzien van een waterinlaat en -uitlaat voor aansluiting op het watercircuit. Het watercircuit moet worden uitgevoerd door een installateur en moet voldoen aan de geldende wetgeving.



OPMERKING

De unit mag alleen in een gesloten-watersysteem worden gebruikt. Gebruik in een open-watercircuit kan leiden tot overmatige corrosie van de waterleiding.

Controleer de volgende punten vooraleer aan de waterleiding te werken:

- De maximum waterdruk is 1 MPa.
- De minimum watertemperatuur is 5°C.
- De maximum watertemperatuur is 90°C.
- De componenten in de lokale leidingen moeten bestand zijn tegen de waterdruk en -temperatuur.
- Voorzie voldoende beveiligingen in het watercircuit om te voorkomen dat de waterdruk de maximaal toegestane werkdruk overschrijdt.
- Voorzie een goede afvoer voor de drukveiligheidsklep (indien voorzien) om te voorkomen dat er water op elektrische onderdelen terechtkomt.
- Voorzie afsluitkranen aan de unit zodat normaal onderhoud kan worden uitgevoerd zonder het systeem te laten leeglopen.
- Voorzie aftapkranen op alle lage punten van het systeem om het circuit bij onderhoud of service aan de unit volledig te laten leeglopen.
- Voorzie ontluchtingsventielen op alle hoge punten in het systeem. De ventielen moeten zich op gemakkelijk toegankelijke punten bevinden.

4.4 De elektrische bedrading voorbereiden

4.4.1 Over elektrische bedrading voorbereiden



WAARSCHUWING

- Gebruik ALLEEN koperdraden.
- Alle lokale bedrading moet voldoen aan de geldende wetgeving.
- Alle lokale bedradingen MOETEN conform met het product meegeleverd bedradingsschema worden uitgevoerd.
- Knijp NOOIT gebundelde kabels samen en controleer of ze NIET met leidingen of scherpe randen in contact (kunnen) komen. Zorg dat er geen externe druk wordt uitgeoefend op de klemaansluitingen.
- Vergeet niet aarddraden te leggen. Aard de unit NIET via een nutsleiding, een piekspanningsbeveiliging of de aarding van de telefoon. Een onvolledige aarding kan een elektrische schok veroorzaken.
- Gebruik hiervoor een aparte voedingskring. Gebruik NOOIT een elektrische voeding die met een ander toestel gedeeld wordt.
- Installeer zeker de vereiste zekeringen of stroomonderbrekers.
- Plaats zeker een aardlekschakelaar. Anders bestaat het gevaar dat iemand een elektrische schok krijgt of dat er brand ontstaat.
- Wanneer u de aardlekbeveiliging plaatst, controleer of deze met de inverter compatibel is (bestand tegen hoogfrequente elektrische ruis), zodat de aardlekbeveiliging zich niet onnodig opent.






OPMERKING

De in deze handleiding beschreven apparatuur kan elektronische ruis veroorzaken afkomstig van radiofrequentie-energie. De apparatuur voldoet aan specificaties die een redelijke bescherming moeten bieden tegen dergelijke interferentie. De garantie dat in een specifieke installatie geen interferentie zal optreden, kan echter niet worden gegeven.

Het is dan ook aan te raden de apparatuur en elektrische draden op een gepaste afstand van stereotoestellen, pc's, enz. te installeren.

5 Installatie

	WAARSCHUWING Alle lokale bedrading en componenten MOETEN worden geïnstalleerd door een erkend elektricien en MOETEN voldoen aan de geldende wetgeving.
	GEVAAR: GEVAAR VOOR ELEKTROCUTIE
	WAARSCHUWING Een hoofdschakelaar of een andere manier om te onderbreken, met een contactscheiding in alle polen, MOET voorzien zijn in de vaste bedrading in overeenstemming met de geldende wetgeving.

Elektrische specificaties

	FWE-D
Fase	1N~
Frequentie	50 Hz
Spanningsbereik	220~240 V
Spanningstolerantie	±10%
Maximaal opgenomen stroom	0,46 A
Overstroomzekering	16 A


Specificaties voor lokale bedrading

	Kabel	Dikte (mm ²)	Lengte
Voedingsbedrading	H05VV-U3G ^{(a)(b)}	In overeenstemming met geldende wetgeving ≤4,0	—
Bedrading van afstandsbediening en transmissie unit	Mantelkabel 2 geleiders ^(c)	0,75~1,25	≤500 m ^(d)

- ^(a) Alleen in het geval van beschermde leidingen. Gebruik H07RN-F indien geen bescherming aanwezig is.
- ^(b) Installeer de elektrische bedrading in een buis lopen om ze te beschermen tegen externe invloeden.
- ^(c) Gebruik kabels met dubbele isolatie voor de afstandsbediening (manteldikte ≥1 mm) of laat de kabels door een muur of buis lopen zodat de gebruiker ze niet kan aanraken.
- ^(d) De lengte is de totale uitgebreide lengte in een systeem met groepsbesturing.

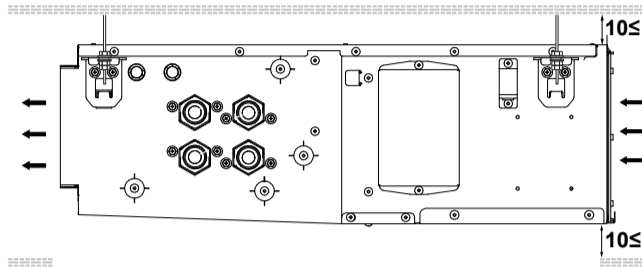
5 Installatie

5.1 Ventilatorconvectoren monteren

 **INFORMATIE**
De unit moet op ≥10 mm van het plafond worden gemonteerd met een luchtaanvoerruimte van ≥150 mm.

 **INFORMATIE**
Alle bovenvermelde onderdelen zijn lokaal aan te kopen. Vraag raad aan uw plaatselijke dealer voor andere installaties dan de standaardinstallatie.

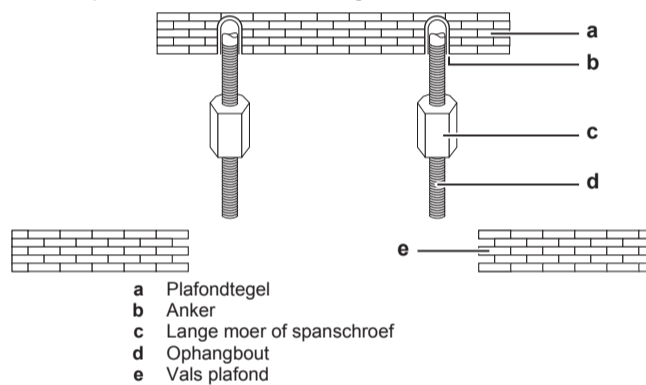
5.1.1 Horizontale installatie



1 Maak de benodigde plafondopening voor installatie op een geschikte plaats.

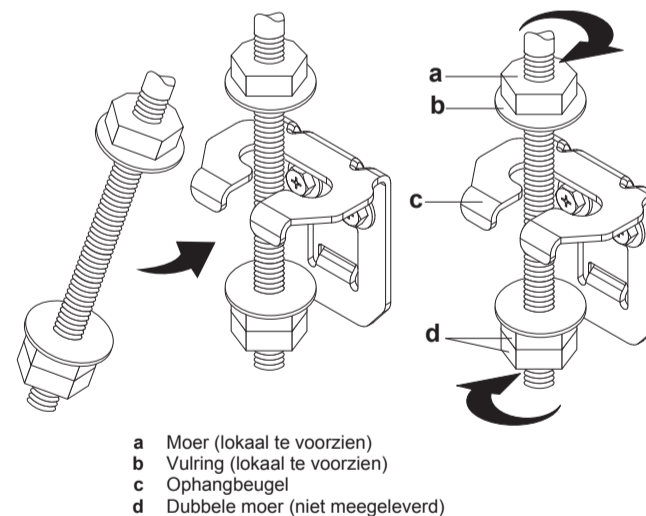
Het kan nodig zijn om het frame van het vals plafond te versterken om het plafond waterpas te houden en trillingen te voorkomen. Raadpleeg voor details de aannemer.

2 Installeer de ophangbouten. Gebruik W3/8- of M10-bouten. Gebruik voor bestaande plafonds een anker en voor nieuwe plafonds een verzonken inzetstuk, verzonken anker of andere lokaal aan te kopen onderdelen. Op die manier kunt u het plafond versterken zodat het het gewicht van de unit kan dragen. Controleer het verzonken inzetstuk om na te gaan welke punten moeten worden versterkt. Regel de afstand tot het plafond vooraleer verder te gaan.



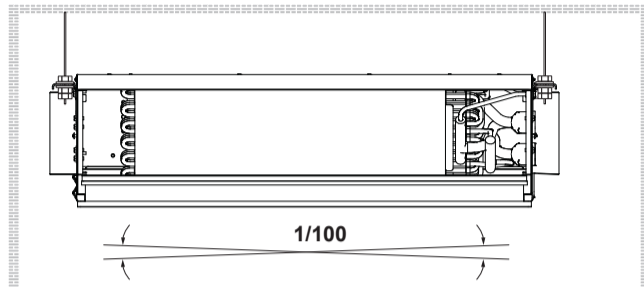
3 Installeer de unit tijdelijk.

Bevestig de ophangbeugel aan de ophangbout. Maak de unit goed vast.



- a Moer (lokaal te voorzien)
b Vulring (lokaal te voorzien)
c Ophangbeugel
d Dubbele moer (niet meegeleverd)

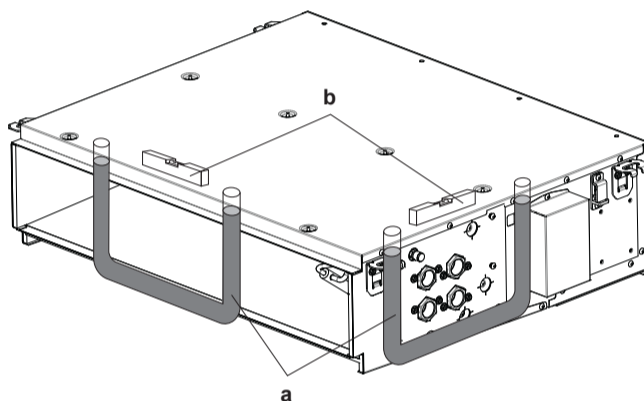
4 Breng de unit in de juiste positie voor installatie.



5 Controleer of de unit horizontaal waterpas hangt.

Installeer de unit niet schuin. Als de unit tegen de richting van de condenswaterstroom in scheef hangt (de kant van de afvoerleidingen hangt hoger), zal er water gaan lekken.

Controleer of de unit waterpas hangt aan elk van de 4 hoeken. Gebruik daartoe een waterpas of een met water gevulde plastic buis.



a Plastic buis
b Waterpas

5.1.2 Verticale installatie

OPMERKING

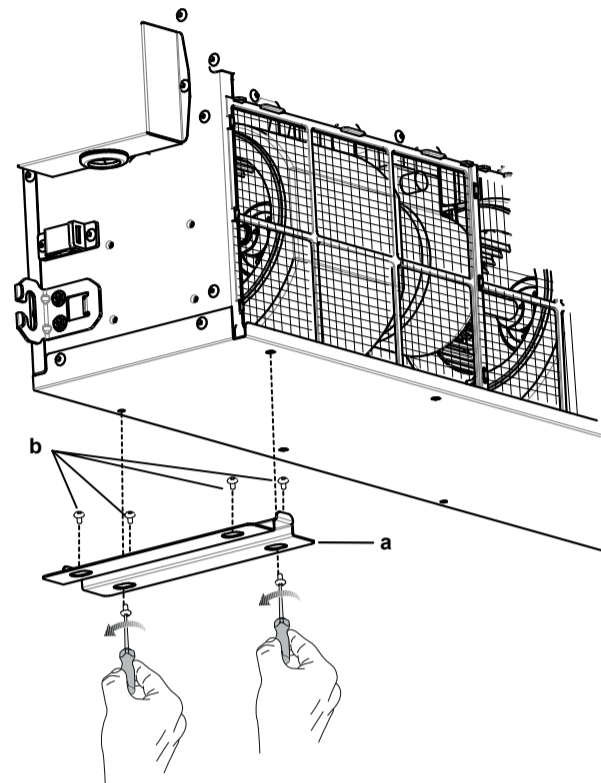
Forceer NIET bij het aansluiten van de leidingen. Een vervormde leiding kan ertoe leiden dat de unit slecht werkt. Controleer of alle schroeven met 3 N•m zijn vastgezet.

OPMERKING

De optiekit (ESFH01DS) moet worden voorzien door een plaatselijke dealer om de unit verticaal te installeren.

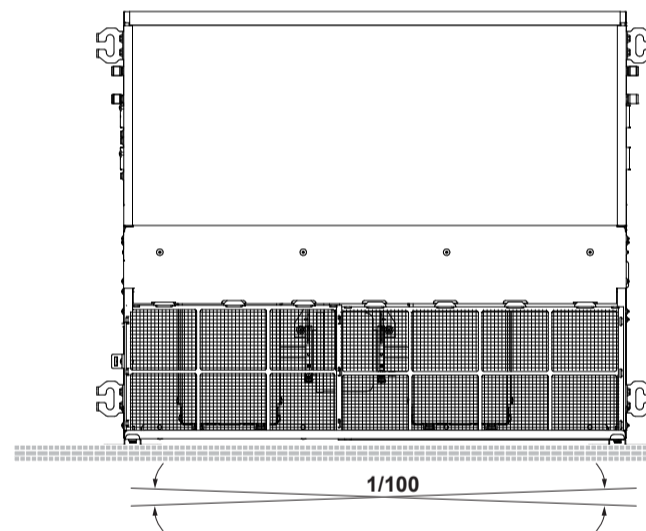
1 Installeer de unit tijdelijk.

Installeer de unit op de vloer met montagevoeten. Zet de unit stevig op de vloer. Als het risico bestaat dat ze omvervalt, bevestig ze dan op de vloer met schroeven in de openingen in de montagevoeten.



a Montagevoet
b Bevestigingsschroef

2 Breng de unit in de juiste positie voor installatie.



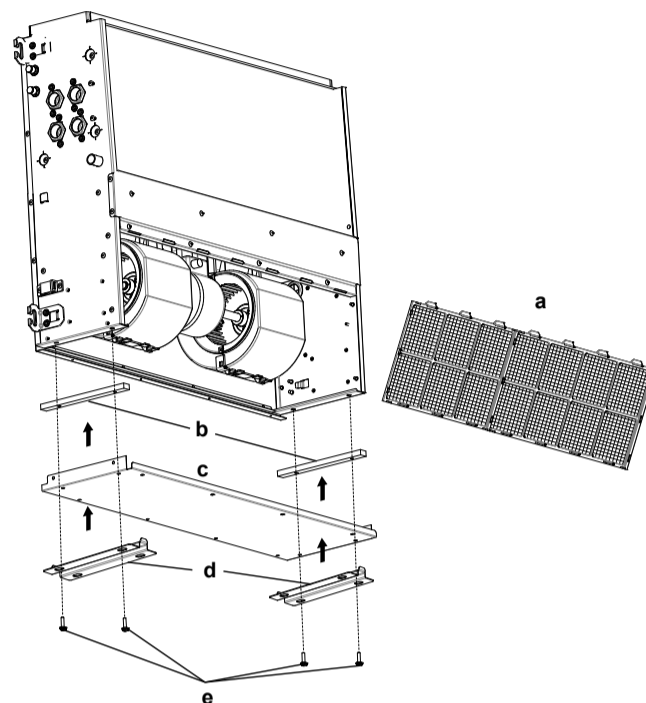
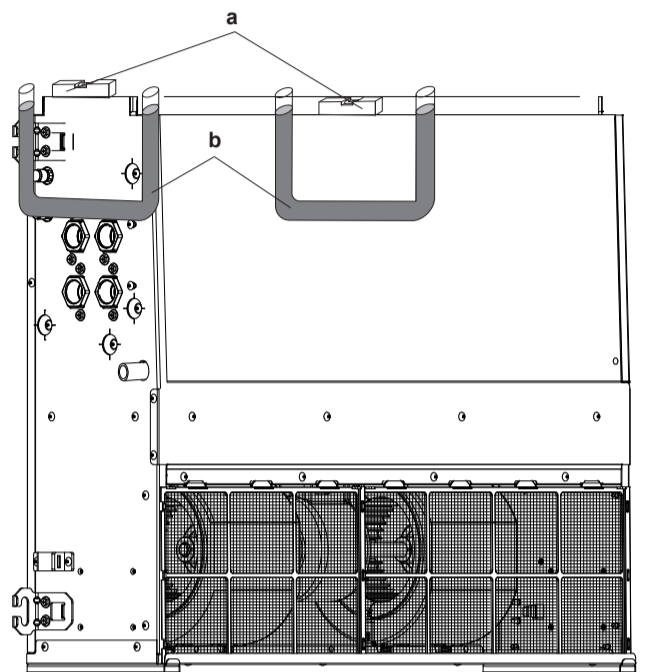
a Waterpas
b Plastic buis

3 Controleer of de unit horizontaal waterpas hangt.

Installeer de unit niet schuin. Als de unit tegen de richting van de condenswaterstroom in scheef hangt (de kant van de afvoerleidingen hangt hoger), zal er water gaan lekken.

Controleer met een waterpas of een met water gevulde plastic buis of de unit waterpas hangt aan elk van de vier hoeken.

5 Installatie



5.2 Van horizontale naar verticale installatie veranderen

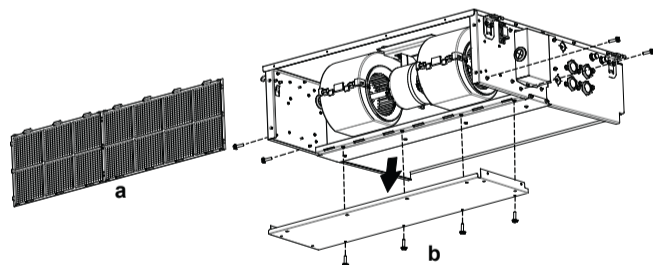
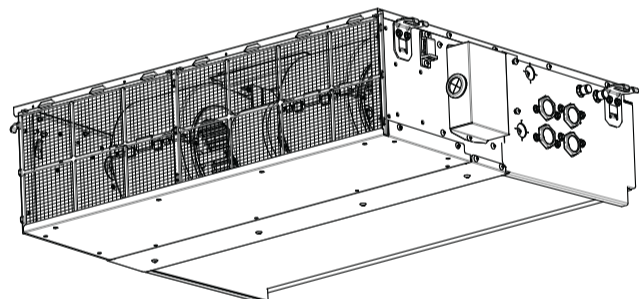


VOORZICHTIG

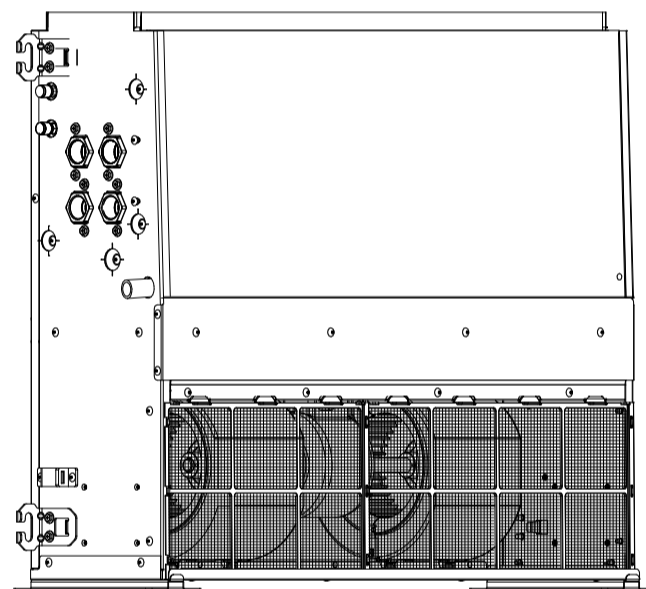
Zorg dat de unit in alle richtingen waterpas hangt.

Volg de instructies hierna om een horizontale installatie in een verticale te veranderen.

- 1 Verwijder het luchtfilter.
- 2 Verwijder de schroeven in het servicedeksel en verwijder het deksel van de unit.



- 3 Steek het rubberen stuk (onderdeel van de optiekit) in de ruimte tussen de zijplaat en de onderste flenzen.
- 4 Maak het uitgebouwde servicedeksel weer vast op de onderkant.
- 5 Maak 2 montagevoeten van de optiekit voor verticale installatie met de 4 schroeven van de optiekit vast aan het servicedeksel.
- 6 Maak het luchtfilter weer vast op de filtergeleider van het servicedeksel.
- 7 De unit is klaar voor verticale installatie.



- a Luchtfilter
- b Servicedeksel
- c Montagevoeten
- d Schroeven
- e Luchtfilter

5.3 De waterleidingen aansluiten



OPMERKING

Forceer niet bij het aansluiten van de leidingen. Anders kunnen de leidingen van de unit vervormd worden. De unit kan slecht werken als de leidingen vervormd zijn.



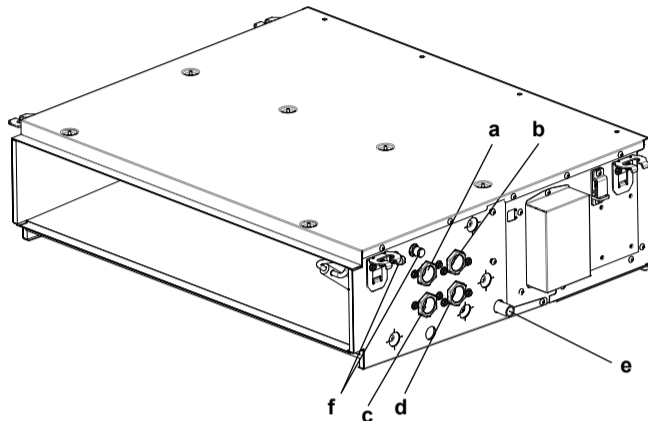
VOORZICHTIG

De watercirculatie in de unit moet altijd worden geregeld met kleppen. De kleppen moeten van het type NC (normaal gesloten) zijn zodat zij gesloten zijn wanneer de unit niet draait. Dit voorkomt de vorming van condenswater.

5 Installatie

5.3.1 De waterleidingen aansluiten

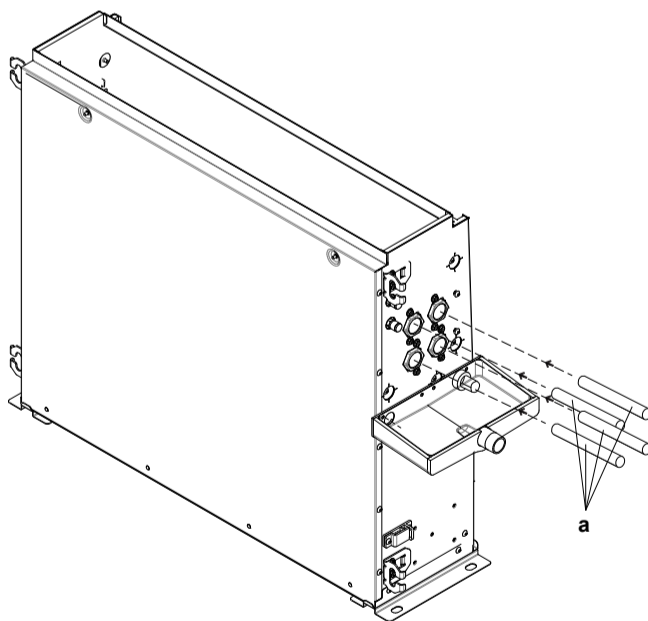
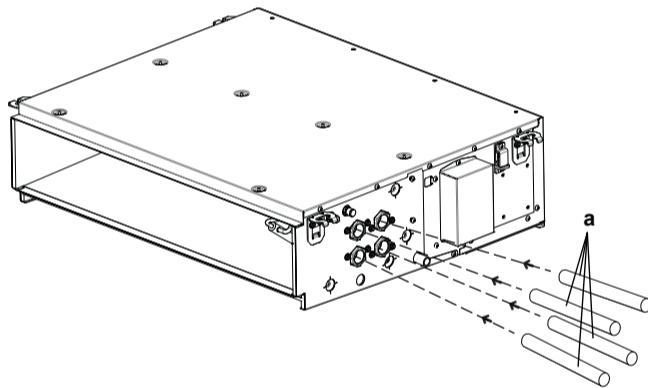
- 1 Sluit de waterin- en uitlaataansluitingen van de ventilo-convectoren aan op de waterleiding.



- a Aansluiting afvoerleiding (3/4" buitendraad)
- b Inlaat gekoeld water (3/4" binnendraad BSP)
- c Uitlaat gekoeld water (3/4" binnendraad BSP)
- d Inlaat verwarmingswater (3/4" binnendraad BSP)
- e Uitlaat verwarmingswater (3/4" binnendraad BSP)
- f Ontluchtingsventiel
- g Ontluchtingsventiel

Opmerking: Gebruik een leiding met een 3/4" BSP buitendraad voor rechtstreekse aansluiting op de unit.

- 2 Het volledige watercircuit, inclusief alle leidingen, moet worden geïsoleerd om condensvorming en vermogensverlies te voorkomen.



a Verbindingsleiding

5.3.2 Het watercircuit vullen

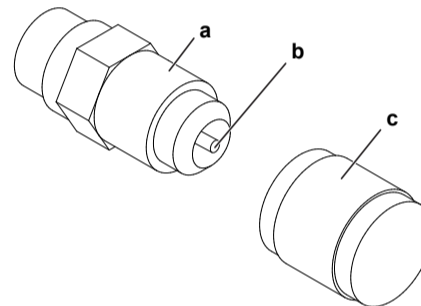
! OPMERKING

Controleer of de kwaliteit van het water voldoet aan de EU-richtlijn 98/83 EC.

! OPMERKING

- Lucht in het watercircuit kan storingen veroorzaken. Tijdens het vullen kan wellicht niet alle lucht uit het circuit worden verwijderd. De resterende lucht zal tijdens de eerste uren in bedrijf van het systeem via de automatische ontluchtingsventielen worden verwijderd. Achteraf kan het nodig zijn extra water te bij te vullen.
- Gebruik de speciale functie zoals beschreven in "6 Inbedrijfstelling" op pagina 67 om het systeem te ontluften.

- 1 Open de dop.
- 2 Duw op de drukveiligheidsklep om de waterkring(en) van de unit te ontluften.
- 3 Sluit de dop.
- 4 Achteraf kan extra water moeten worden bijgevuld (maar nooit via het ontluchtingsventiel).



- a Ontluchtingsventiel
- b Drukveiligheidsklep
- c Deksel

5.4 De elektrische bedrading aansluiten

5.4.1 Over het aansluiten van de elektrische bedrading

Typische werkstroom

De elektrische bedrading aansluiten bestaat doorgaans uit de volgende stappen:

- 1 Controleren of het voedingssysteem voldoet aan de elektrische specificaties van de units.
- 2 Elektrische bedrading aansluiten op de ventilo-convector.
- 3 Elektrische bedrading van kant veranderen (indien van toepassing).

5.4.2 Richtlijnen voor het aansluiten van de elektrische bedrading

Sluit draden met dezelfde dikte aan zoals hierna afgebeeld.



5 Installatie

Let op de punten hieronder voor het aansluiten van de elektrische bedrading.

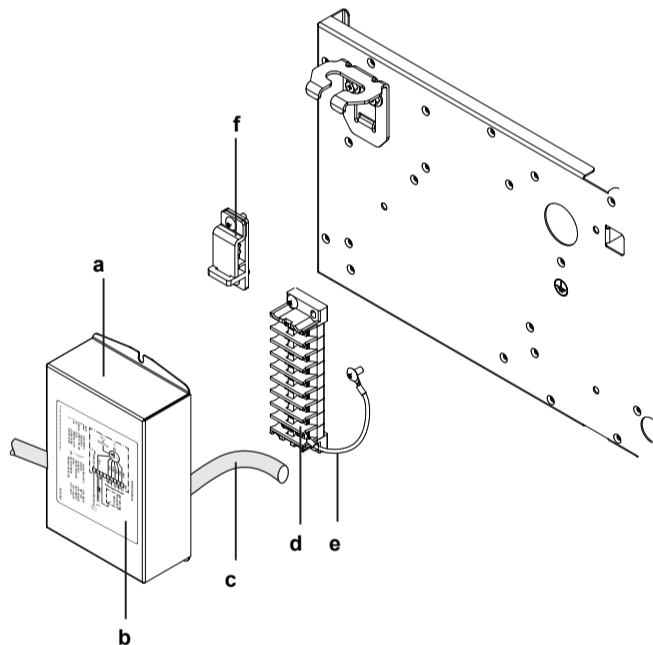
- Sluit geen draden met een verschillende diameter aan op dezelfde voedingsklem. Losse draden kunnen oververhitting veroorzaken.
- Sluit geen kabels met een verschillende dikte aan op dezelfde aardklem. Losse aansluitingen kunnen de bescherming aantasten.
- Gebruik de voorgeschreven elektrische draad (zie "[Specificaties voor lokale bedrading](#)" op pagina 60). Maak de draad goed vast op de klem. Draai hem vast met het juiste aanhaalmoment (N·m).
- Aanhaalmoment klemmenstrook voeding: 1,44~1,88 N·m.
- Houd de bedrading netjes zodat ze geen andere onderdelen belemmeren of het deksel van de klemmenstrook openduwen. Zorg ervoor dat het deksel goed sluit. Slecht uitgevoerde aansluitingen kunnen oververhitting veroorzaken of, in het slechtste geval, kortsluiting of brand.

5.4.3 Elektrische bedrading aansluiten op de ventilo-convector

Zie de sticker met het bedradingsschema op het deksel van de klemmenstrook.

! OPMERKING

- Volg het bedradingsschema (bij de unit geleverd, op het deksel van de schakelkast).
- Zorg ervoor dat de elektrische bedrading goed zit zodat het servicedeksel nadien weer goed kan worden aangebracht.



- a Deksel klemmenstrook
- b Sticker
- c Voedingskabel
- d Klemmenstrook
- e Aardingskabel
- f Kabelklem

- 1 Verwijder het deksel van de klemmenstrook en de kabelklem van de unit.
- 2 Sluit de voedingskabel aan op de klemmenstrook.
- 3 Maak de voedingskabel vast met de kabelklem.
- 4 Maak het deksel van de klemmenstrook weer vast op de unit.

5.4.4 Elektrische bedrading van kant veranderen

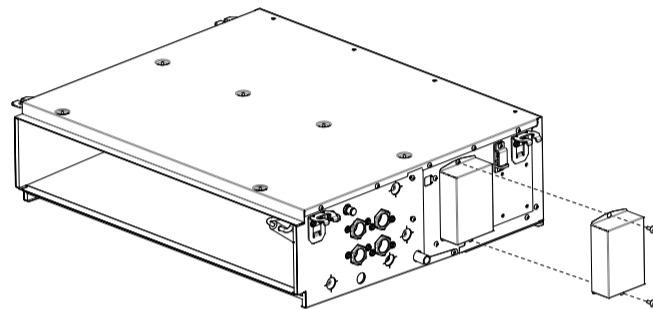
! OPMERKING

De elektrische bedrading kan lokaal naar de andere kant worden veranderd.

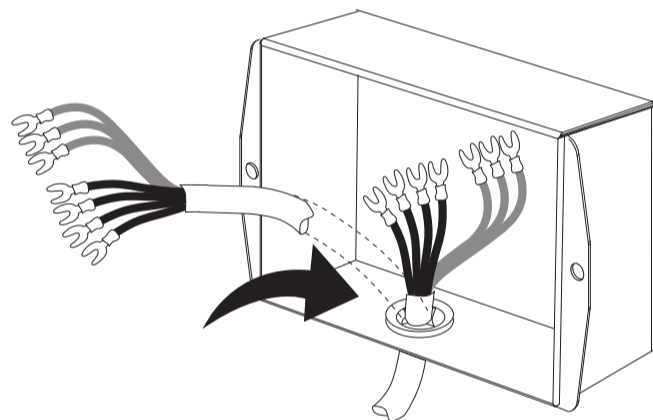
! OPMERKING

Let er bij het vastmaken van het deksel van de klemmenstrook op dat er geen draden worden gekneld.

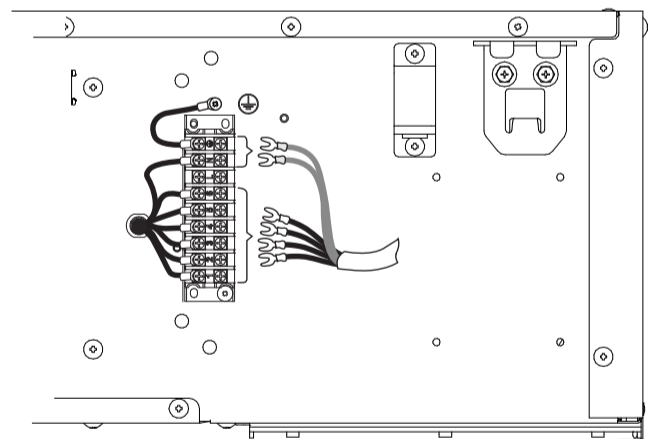
- 1 Verwijder het deksel van de klemmenstrook, de klemmenstrook, de kabelklem, de aardingsdraad en de kabels van de ventilatormotor.



- 2 Maak de kabels van de ventilatormotor los van de kabelklemmen.

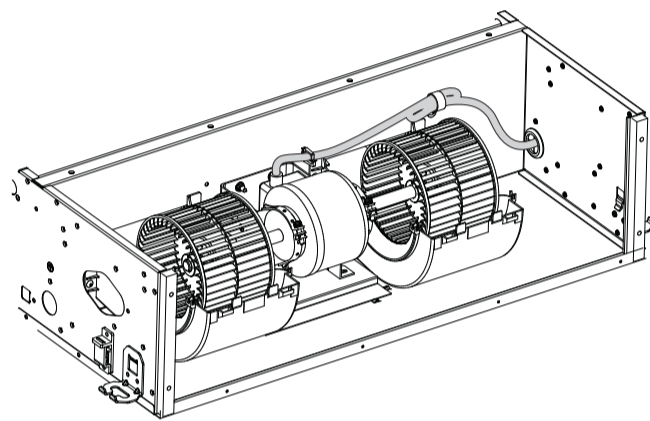
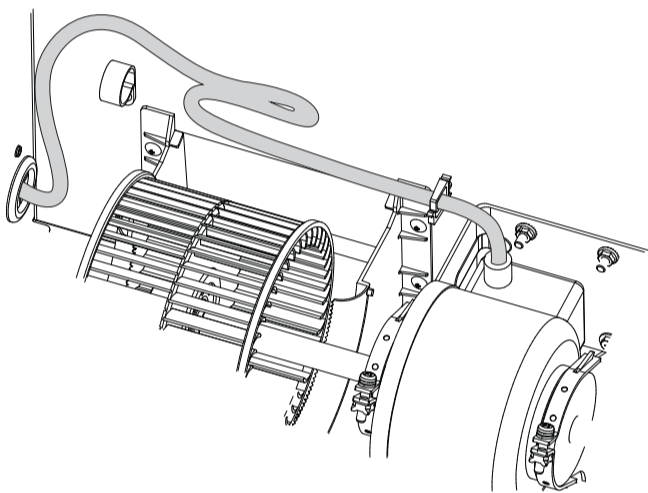
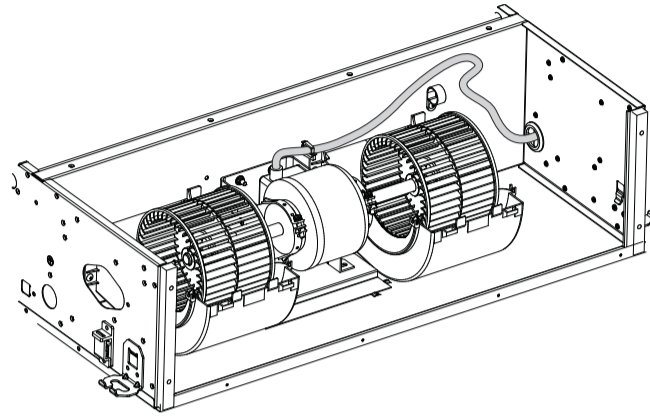
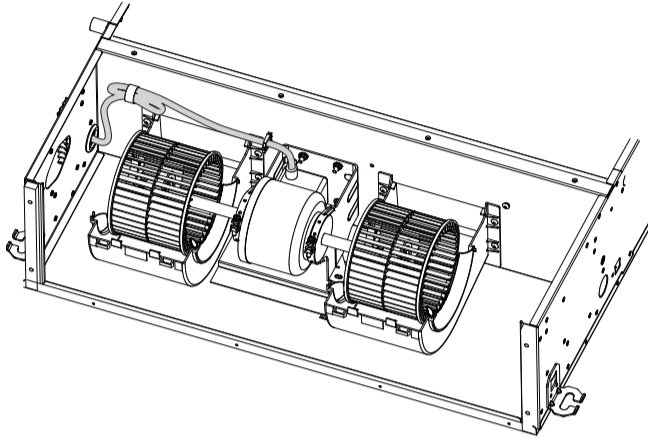


- 3 Verander de richting van de kabels van de ventilatormotor.

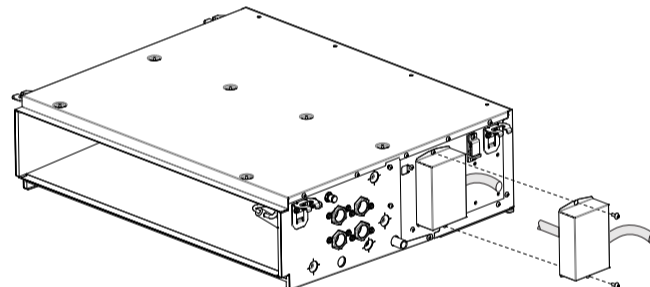


5 Installatie

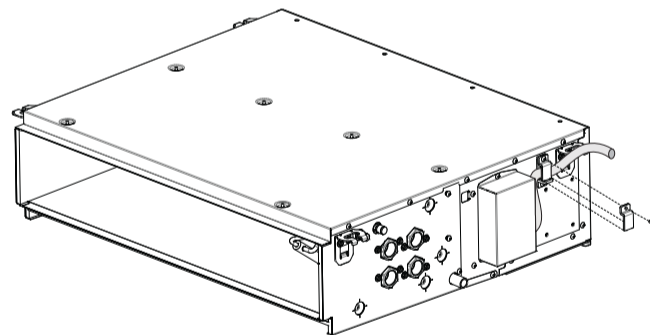
- 4 Maak de kabels vast op de tussenplaat. Maak ongebruikte kabels goed vast met een kabelklem op de nieuwe positie.



- 5 Maak de verwijderde onderdelen vast op de unit.



- 6 Installeer de verwijderde kabelklem om de kabel vast te leggen.

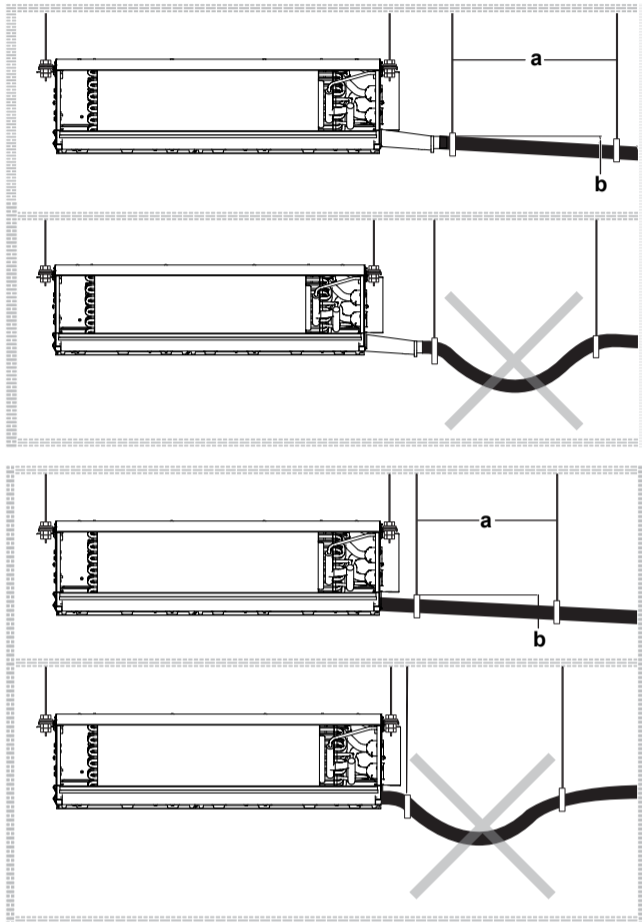


5 Installatie

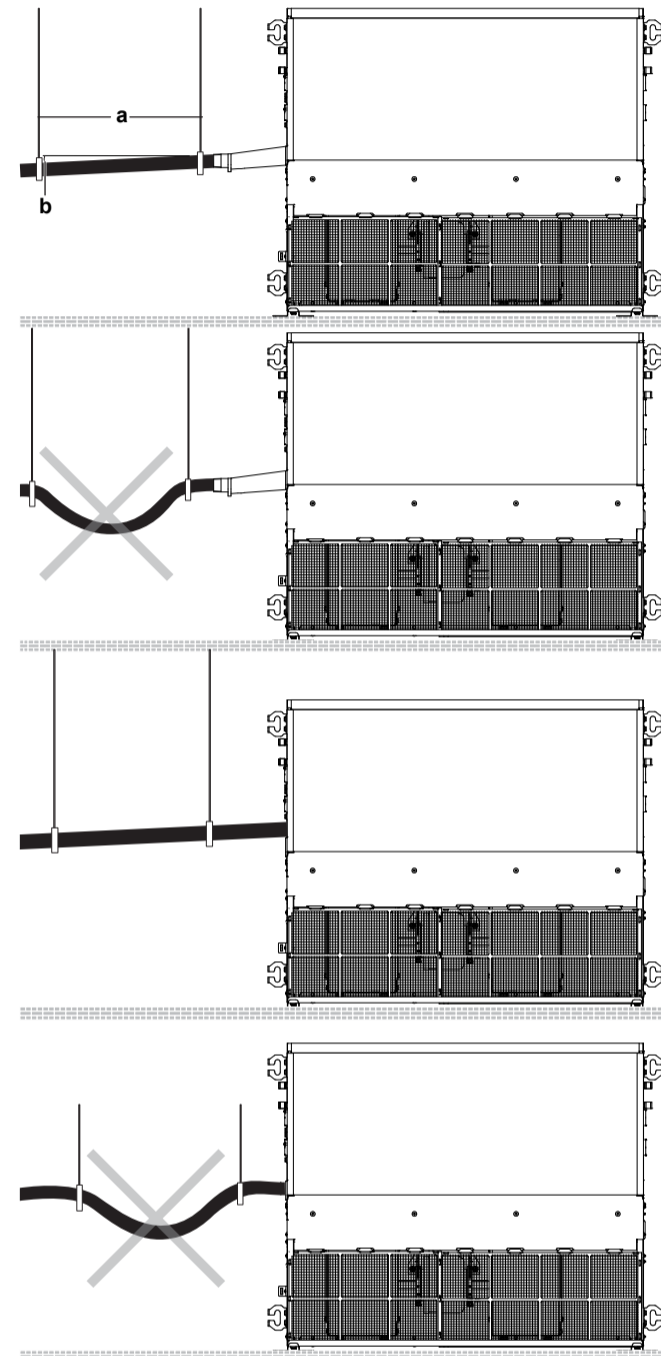
5.5 Afvoerleiding aansluiten

5.5.1 Afvoerleiding installeren op de unit

Horizontale installatie



Verticale installatie



- a Ophangstaaf
- b $\geq 1/100$ hellend

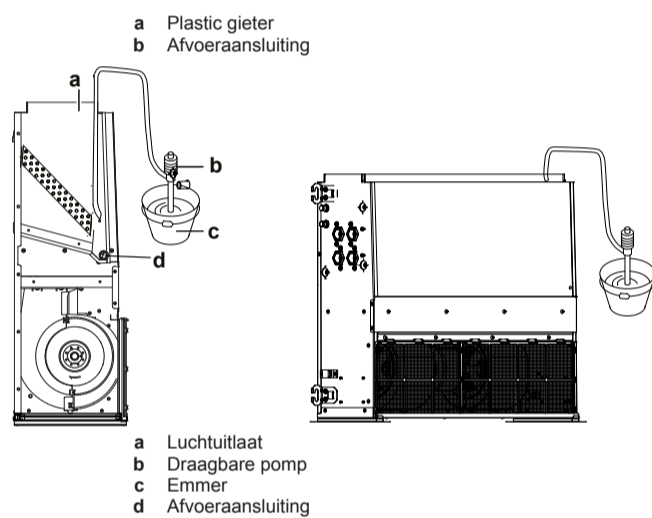
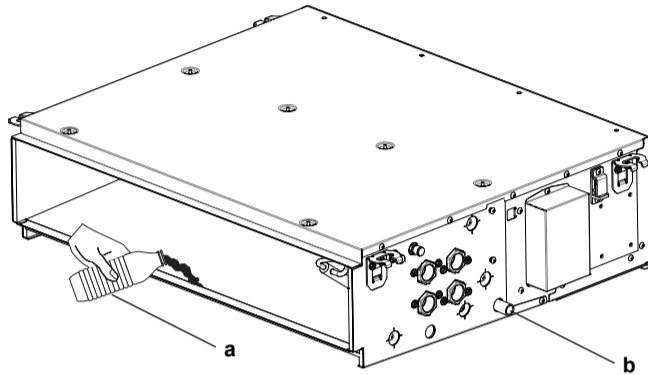
Houd de leiding zo kort mogelijk is en laat ze met minstens 1/100 naar beneden aflopen om te voorkomen dat er lucht in de leiding blijft.

6 Inbedrijfstelling

5.5.2 Afvoerleiding controleren

Controleer na de installatie van de afvoerleiding of de afvoer vlot stroomt.

- 1 Giet ongeveer 1 liter water geleidelijk door de luchtuitlaat.



- 2 Controleer de afvoer door te kijken naar de afvoeraansluiting.

6 Inbedrijfstelling

Gelieve de gegevens voor ecologisch ontwerp volgens (EU)2016/2281 te bezorgen aan de klant. U vindt deze gegevens in de uitgebreide handleiding voor de installateur of via de website Daikin.

OPMERKING

Laat de unit **ALTIJD** draaien met thermistoren en/of druksensoren/-schakelaars. Anders kan er brand in de compressor ontstaan.

6.1 Proefdraaien

De installateur is verplicht om de goede werking na de installatie te controleren. Neem contact op met uw plaatselijke dealer als er een probleem is met de unit.

OPMERKING

Onderbreek het proefdraaien niet.

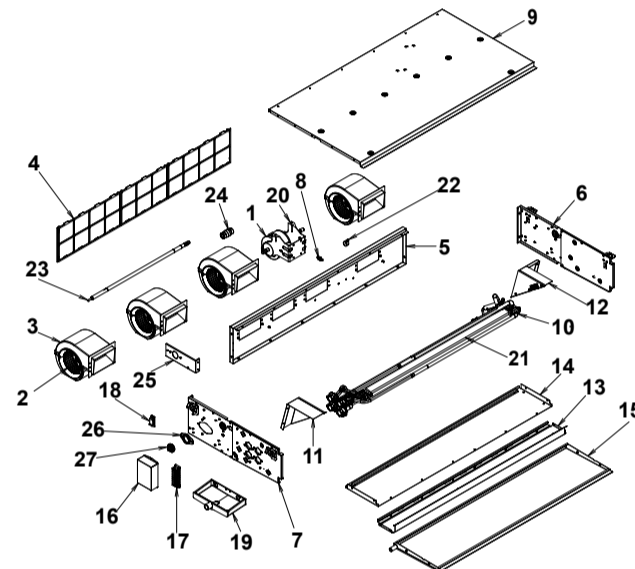
OPMERKING

Probeer het systeem **NIET** zelf te ontmantelen: het ontmantelen van het systeem en het behandelen van het koelmiddel, van olie en van andere onderdelen **MOETEN** conform met de geldende wetgeving uitgevoerd worden. De units **MOETEN** voor hergebruik, recyclage en terugwinning bij een gespecialiseerd behandlingsbedrijf worden behandeld.

WAARSCHUWING

Neem gepaste maatregelen om te beletten dat de unit door kleine dieren als schuilplaats gebruikt kan worden. Kleine dieren die in contact komen met elektrische onderdelen kunnen storingen, rook of brand veroorzaken.

Verwijder de schroeven met het gepaste gereedschap. Het product kan worden gedemonteerd zoals hierna afgebeeld.



FWE-D Instructielijst recycling

Materialen	Item
Elektrisch onderdeel (ventilatormotor + condensator)	1
Aluminium (lamel) + koper (buis) + verzinkt staal (plaat) + messing	10
Plastic	2, 18, 8, 22, 27
Plastic + metaal	3, 17, 24
Plastic (frame) + plastic (net)	4
Verzinkt staal	5, 9, 13, 14, 16, 20, 23, 25, 26
Verzinkt staal + plastic schuim	6, 7, 11, 12, 15, 19
Plastic schuim	21

7 Onderhoud en service

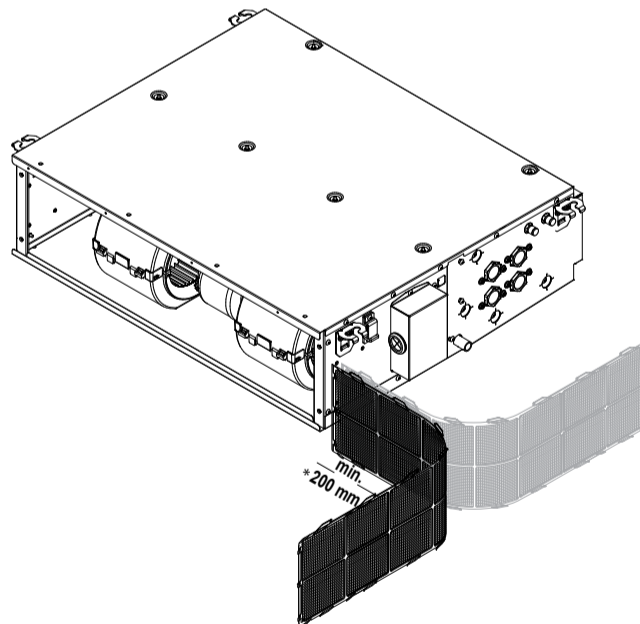
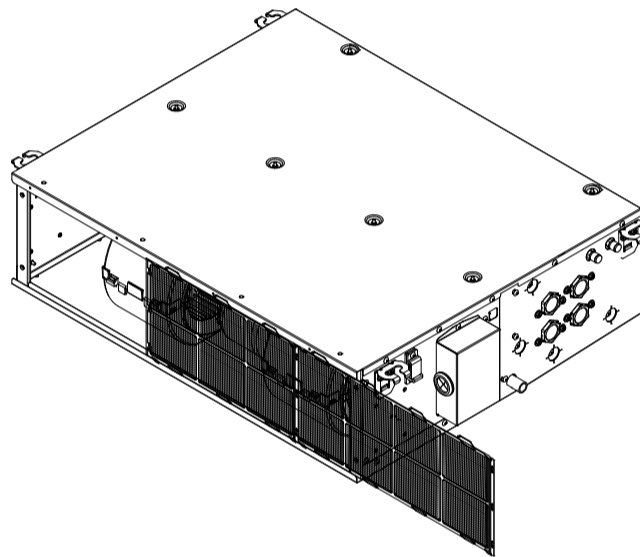
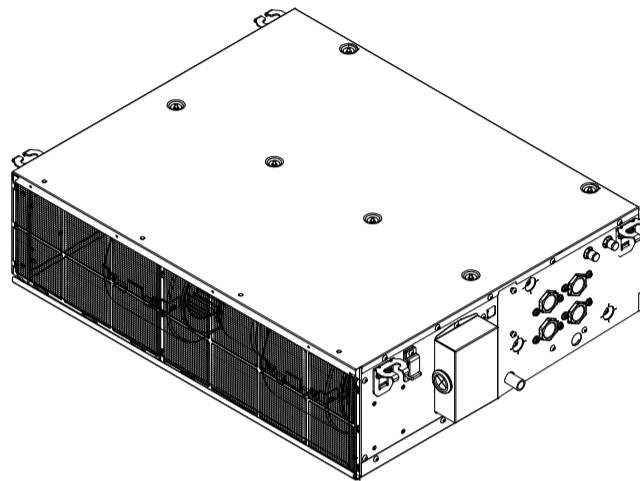
6.2 Checklist voor de inbedrijfstelling

Controleer na de installatie van de unit eerst de hierna vermelde punten. Sluit de unit nadat alle controles zijn uitgevoerd. Start de unit nadat u ze gesloten hebt.

<input type="checkbox"/>	Installatie Controleer of de unit correct is geïnstalleerd om abnormale geluiden en trillingen te voorkomen bij het opstarten van de unit.
<input type="checkbox"/>	Afvoer De afvoer moet vlot stromen. Mogelijk gevolg: Er kan condenswater naar beneden druppelen.
<input type="checkbox"/>	Voedingsspanning Controleer de voedingsspanning op het lokale voedingspaneel. De spanning MOET overeenstemmen met de spanning op het identificatieplaatje van de unit.
<input type="checkbox"/>	Aardingsbedrading Controleer of de aardingskabels goed zijn aangesloten en de aardingsklemmen stevig zijn vastgemaakt.
<input type="checkbox"/>	Zekeringen, stroomonderbrekers of beveiligingen Controleer of de zekeringen, de stroomonderbrekers of de lokaal geïnstalleerde beveiligingen van het in "4.4 Elektrische bedrading voorbereiden" op pagina 59 vermelde type en grootte zijn. Controleer of er geen zekering of beveiliging is overbrugd.
<input type="checkbox"/>	Interne bedrading Controleer of er geen losse aansluitingen of beschadigde elektrische componenten in de elektrische componentenkast en binnenin de unit zichtbaar zijn.
<input type="checkbox"/>	Beschadigde onderdelen Controleer de binnenkant van de unit op beschadigde onderdelen of platgedrukte leidingen.
<input type="checkbox"/>	Luchtinlaat/-uitlaat Controleer of de luchtinlaat en -uitlaat van de unit NIET belemmerd is door papier, karton of iets anders.

Horizontale installatie

Schuif het filter om het te verwijderen.



7 Onderhoud en service

! OPMERKING

Dit onderhoud MOET worden uitgevoerd door een erkend installateur of een servicetechnicus.

Laat het onderhoud minstens één keer per jaar uitvoeren. De geldende wetgeving kan evenwel kortere onderhoudsintervallen vereisen.

7.1 LuchtfILTER reinigen

Wanneer

- Eens om de 6 maand reinigen. Reinig vaker als de lucht in de kamer heel sterk vervuild is.
- Als het vuil niet meer verwijderd kan worden, moet u het luchtfILTER vervangen met een origineel onderdeel.

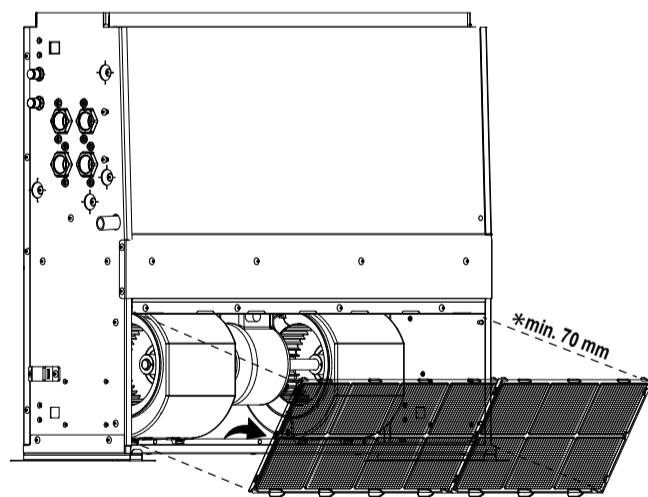
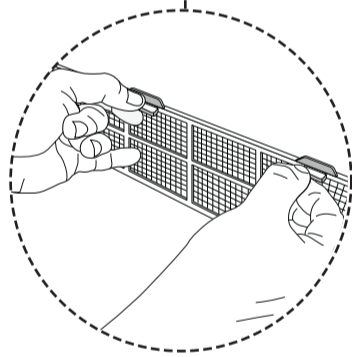
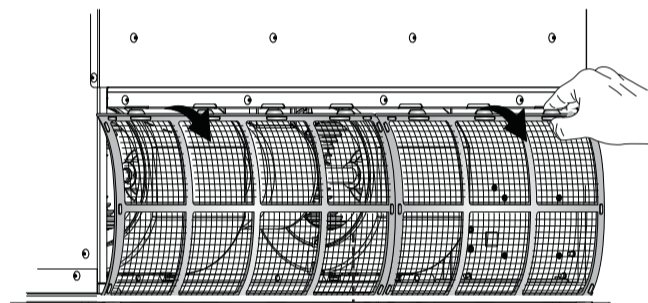
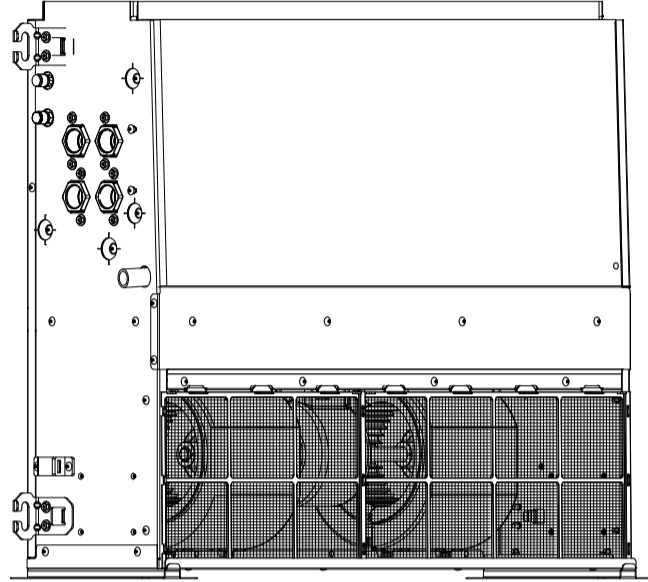
Hoe

- 1 Schakel de voeding uit.
- 2 Het luchtfILTER kan op 1 van 2 plaatsen op dit product worden geïnstalleerd (zijkant en onderkant). Schuif het filter zoals hierna afgebeeld om het te verwijderen.

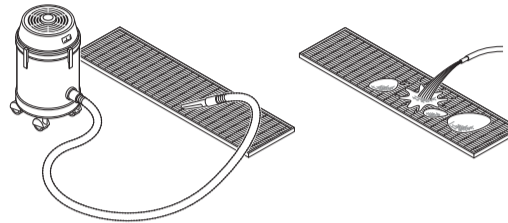
7 Onderhoud en service

Verticale installatie

Druk op de lippen aan het filter en trek het dan terug.



- 3 Gebruik een stofzuiger of was het luchtfilter uit met water. Gebruik een zachte borstel en een neutraal schoonmaakmiddel als het luchtfilter heel vuil is.



- 4 Plaats het luchtfilter terug op de oorspronkelijke plaats.

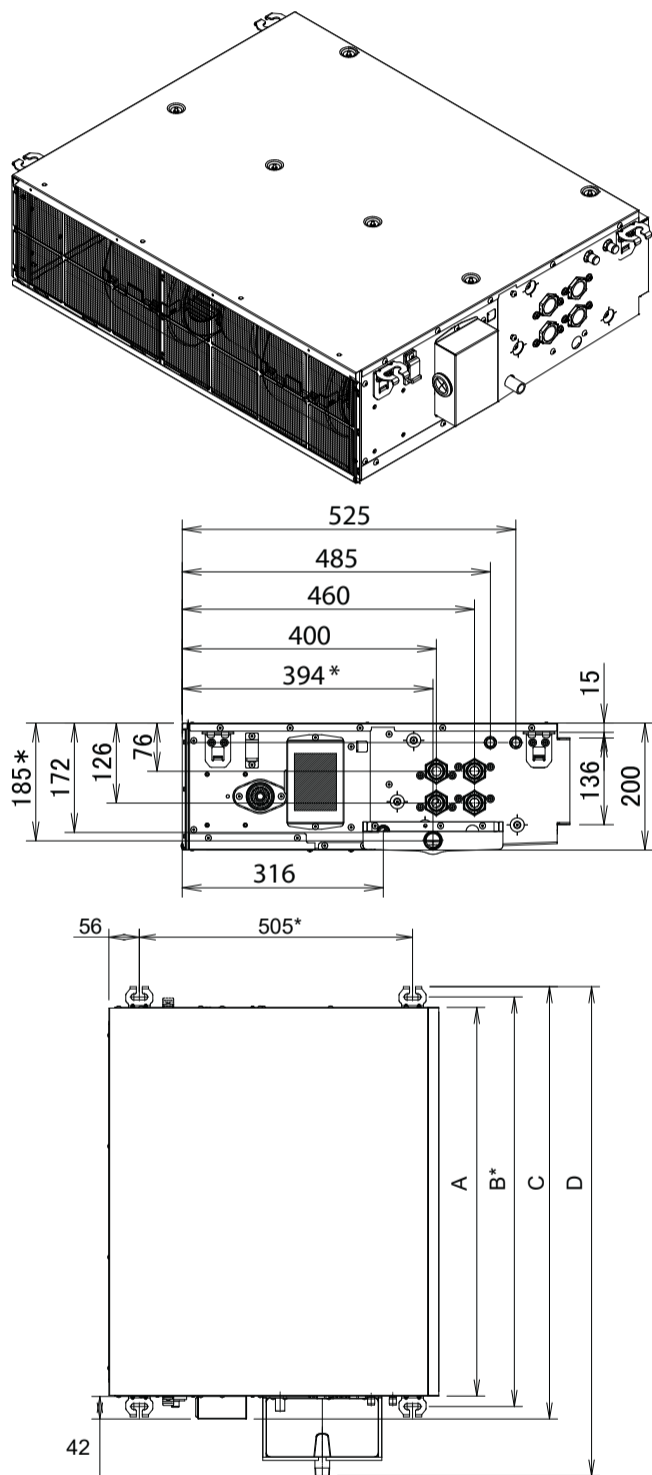
8 Technische gegevens

8 Technische gegevens

- Een **deel** van de recentste technische gegevens is beschikbaar op de regionale Daikin-website (publiek toegankelijk).
- De **volledige** recentste technische gegevens zijn beschikbaar op het Daikin Business Portal (authenticatie vereist).

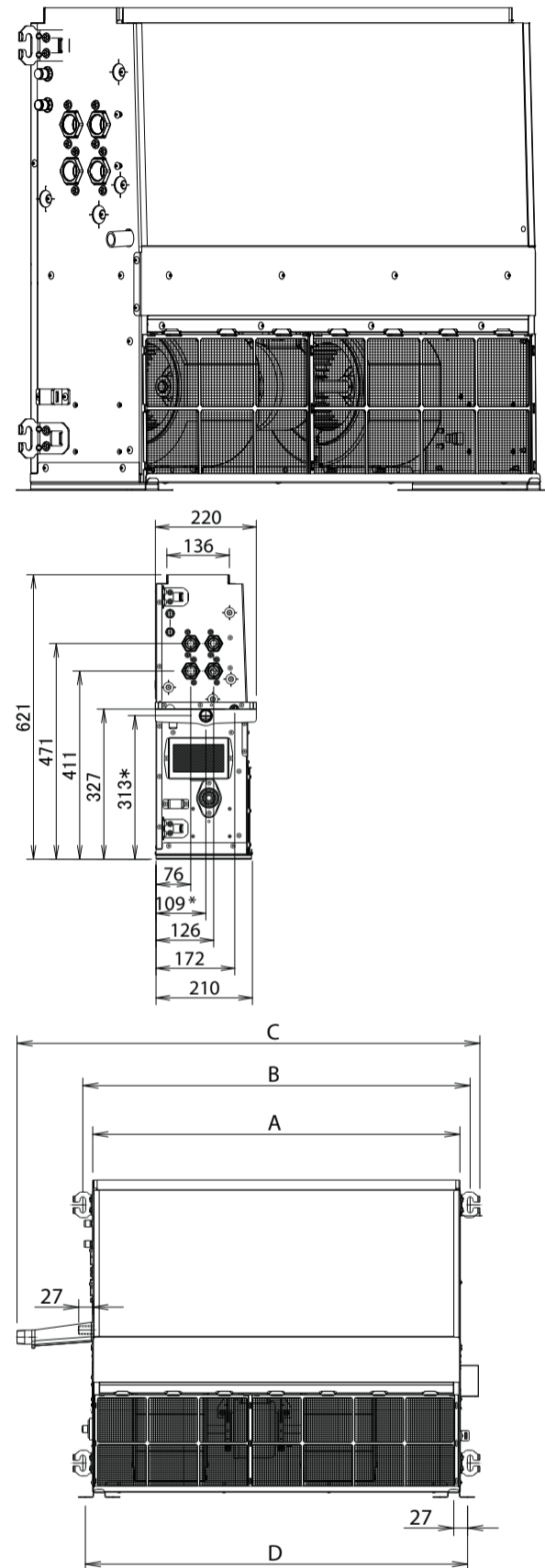
8.1 Afmetingen

Horizontaal overzicht



Eenheid: mm	A	B	C	D
FWE03~05	719	757	799	909
FWE06	919	957	999	1109
FWE07~11	1119	1157	1199	1309

Verticaal overzicht



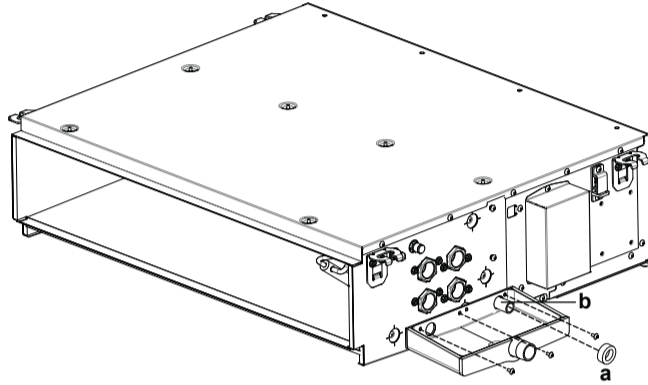
Eenheid: mm	A	B	C	D
FWE03~05	719	757	909	747
FWE06	919	957	1109	947
FWE07~11	1119	1157	1309	1147

8 Technische gegevens

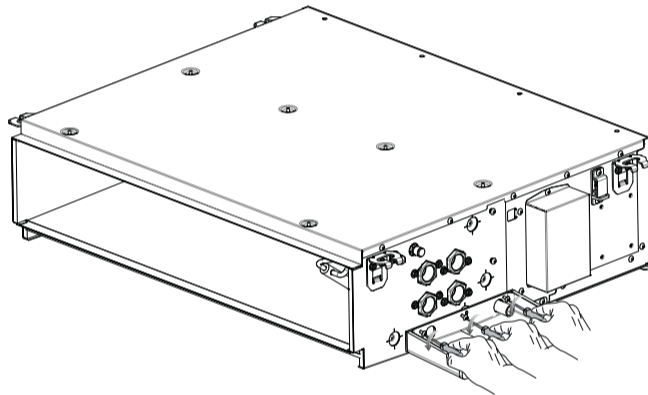
Regelbare lekbak (horizontaal)

⚠ VOORZICHTIG

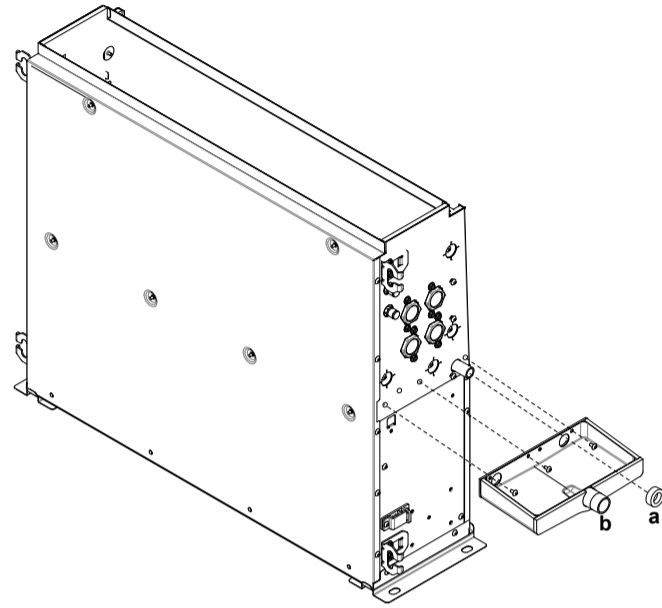
Breng het rubber van de afvoeraansluiting aan na de installatie van de extra lekbak. Anders kan condenswater op de hoofdunit of de waterleidingen, vuil op het luchtfilter of een verstopte afvoer gaan druppelen, waardoor het voorwerp in kwestie vuil of defect kan geraken.



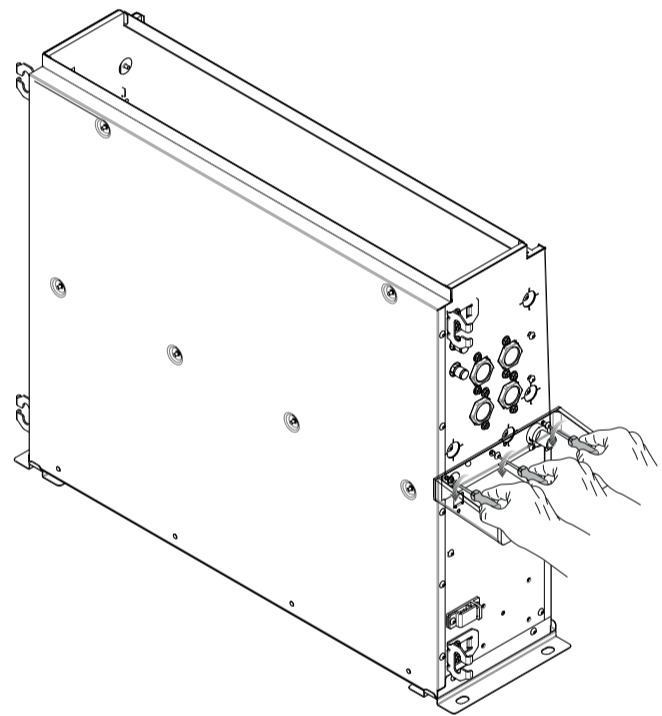
- a Rubber afvoeraansluiting
- b Extra afvoeraansluiting



Regelbare lekbak (verticaal)



- a Rubber afvoeraansluiting
- b Extra afvoeraansluiting



8 Technische gegevens

8.2 Bedradingschema

Op klemmenstrook

Engels	Vertaling
	Verbinding
X1M	Hoofdaansluitklem
-----	Lokaal te voorzien
	Printplaat
	Veiligheidsaarding
	Aarding
---■---	Lokale draad

Kabel ventilatormotor

WHT	Wit
GRN	Groen
RED	Rood
ORG	Oranje
BRN	Bruin
YLW	Geel
BLU	Blauw
GRN/YLW	Groen/geel
C1	Condensator
F1U	Zekering
X1M	Klemmenstrook
M	Ventilatormotor

8.3 Informatievereisten voor ecologisch ontwerp

Volg de onderstaande stappen om de gegevens van het Energy Label – Lot 21 van de unit en combinaties van buitenunit/binnenunit te raadplegen.

1 Ga naar de volgende webpagina: <https://energylabel.daikin.eu/>

2 Om verder te gaan, kies:

- "Continue to Europe" voor de internationale website.
- "Other country" voor een site voor een specifiek land.

Gevolg: U gaat naar de webpagina "Seasonal efficiency".

3 Klik bij "Eco Design – Ener LOT 21" op "Generate your data".

Gevolg: U gaat naar de webpagina "Seasonal efficiency (LOT 21)".

4 Volg de instructies op de webpagina om de juiste unit te selecteren.

Gevolg: Na de selectie kunt u de LOT 21 datasheet weergeven als PDF of als HTML-webpagina.



INFORMATIE

Andere documenten (bijv. handleidingen, ...) kunnen ook op deze webpagina worden geraadpleegd.

Tabla de contenidos

Tabla de contenidos

1	Acerca de la documentación	74
1.1	Acerca de este documento.....	74
1.2	Significado de los símbolos y advertencias.....	74
1.3	Información general.....	74
2	Acerca de la caja	75
2.1	Resumen: Acerca de la caja	75
2.2	Desembalaje y manipulación de la unidad fan coil	75
2.3	Extracción de los accesorios de la unidad fan coil.....	75
3	Acerca de la unidad	75
3.1	Resumen: Acerca de las unidades y las opciones.....	75
3.2	Identificación	76
3.2.1	Etiqueta identificativa: Unidad fan coil	76
4	Preparación	76
4.1	Resumen: Preparación.....	76
4.2	Preparación del lugar de instalación	76
4.3	Preparación de las tuberías de agua	77
4.4	Preparación del cableado eléctrico	77
4.4.1	Acerca de la preparación del cableado eléctrico	77
5	Instalación	78
5.1	Montaje de la unidad fan coil.....	78
5.1.1	Instalación horizontal	78
5.1.2	Instalación vertical	79
5.2	Cambio de instalación horizontal a vertical	80
5.3	Conexión de las tuberías de agua.....	80
5.3.1	Cómo conectar las tuberías de agua	81
5.3.2	Llenado del circuito de agua	81
5.4	Conexión del cableado eléctrico	81
5.4.1	Acerca de la conexión del cableado eléctrico.....	81
5.4.2	Pautas para realizar la conexión del cableado eléctrico.....	81
5.4.3	Conexión del cableado eléctrico en la unidad fan coil	82
5.4.4	Cambio de sentido del cableado eléctrico	82
5.5	Conexión de la tubería de drenaje	84
5.5.1	Instalación de la tubería de drenaje a la unidad	84
5.5.2	Comprobación de la tubería de drenaje.....	85
6	Puesta en marcha	85
6.1	Cómo realizar una prueba de funcionamiento	85
6.2	Lista de comprobación antes de la puesta en servicio.....	86
7	Mantenimiento y servicio técnico	86
7.1	Cómo limpiar el filtro de aire.....	86
8	Datos técnicos	88
8.1	Dimensiones.....	88
8.2	Diagrama de cableado	90
8.3	Requisitos informativos para diseño ecológico	91

1 Acerca de la documentación

1.1 Acerca de este documento

Audiencia de destino

Instaladores autorizados



INFORMACIÓN

Este dispositivo ha sido diseñado para ser utilizado por usuarios expertos o formados en comercios, en la industria ligera o en granjas, o para uso comercial o doméstico por personas no profesionales.

Conjunto de documentos

Este documento forma parte de un conjunto de documentos. El conjunto completo consiste en:

Las revisiones más recientes de la documentación suministrada pueden estar disponibles en la página Web regional de Daikin o a través de su distribuidor.

La documentación original está escrita en inglés. Los demás idiomas son traducciones.

- Manual de instalación de la unidad fan coil:
 - Instrucciones de instalación
 - Formato: Papel (en la caja de la unidad fan coil)

1.2 Significado de los símbolos y advertencias



PELIGRO

Indica una situación que puede provocar lesiones graves o la muerte.



PELIGRO: RIESGO DE ELECTROCUCIÓN

Indica una situación que podría provocar una electrocución.



PELIGRO: RIESGO DE QUEMADURAS

Indica una situación que podría provocar quemaduras debido a temperaturas muy altas o muy frías.



PELIGRO: RIESGO DE EXPLOSIÓN

Indica una situación que podría provocar una explosión.



ADVERTENCIA

Indica una situación que podría provocar lesiones graves o la muerte.



ADVERTENCIA: MATERIAL INFLAMABLE



PRECAUCIÓN

Indica una situación que podría provocar lesiones leves o moderadas.



AVISO

Indica una situación que podría provocar daños al equipamiento u otros daños materiales.



INFORMACIÓN

Indica consejos útiles o información adicional.

Símbolo	Explicación
	Antes de la instalación, lea el manual de instalación y funcionamiento y la hoja de instrucciones para el cableado.
	Antes de llevar a cabo las tareas de mantenimiento, lea el manual de mantenimiento.
	Para obtener más información, consulte la guía de referencia del instalador y del usuario final.

1.3 Información general

Si NO está seguro de cómo instalar o utilizar la unidad, póngase en contacto con su distribuidor.

2 Acerca de la caja

AVISO

La instalación o colocación inadecuada del equipo o accesorios podría causar electrocución, cortocircuito, fugas, incendio u otros daños al equipo. Utilice solamente accesorios, equipamiento opcional y piezas de repuesto fabricadas u homologadas por Daikin.

ADVERTENCIA

Asegúrese de que los materiales de instalación, prueba y aplicación cumplan con la normativa vigente (encima de la instrucciones descritas en la documentación de Daikin).

PRECAUCIÓN

Lleve equipo de protección personal adecuado (guantes protectores, gafas de seguridad, etc.) cuando instale el sistema o realice las tareas de mantenimiento de este.

ADVERTENCIA

Rompa las bolsas plásticas del embalaje y tírelas a la basura, para que nadie, en particular los niños, jueguen con ellas. Riesgo posible: asfixia.

ADVERTENCIA

Tome las medidas adecuadas para evitar que la unidad se convierta en refugio de pequeños animales. Si algún animal entrase en contacto con los componentes eléctricos, podría causar averías o hacer que apareciese humo o fuego.

PRECAUCIÓN

NO toque la entrada de aire ni las aletas de aluminio de la unidad.

AVISO

- NO coloque ningún objeto ni equipo en la parte superior de la unidad.
- NO se sienta, suba ni permanezca encima de la unidad.

PELIGRO: RIESGO DE ELECTROCUCIÓN

- Asegúrese de que el sistema esté conectado a tierra correctamente.
- Desconecte la alimentación eléctrica antes de realizar el mantenimiento.
- Instale la cubierta de la caja de conexiones antes de conectar la alimentación eléctrica.

PRECAUCIÓN

- Compruebe si la ubicación donde está instalada la unidad puede soportar su peso. Una instalación deficiente es peligrosa. Puede provocar vibraciones o ruidos de funcionamiento anormales.
- Disponga de suficiente espacio para el mantenimiento.
- NO instale la unidad de forma que esté en contacto con el techo o la pared, puesto que se pueden producir vibraciones.

PELIGRO: RIESGO DE ELECTROCUCIÓN

No maneje la unidad fan coil con las manos mojadas. Puede provocar una descarga eléctrica.

2 Acerca de la caja

2.1 Resumen: Acerca de la caja

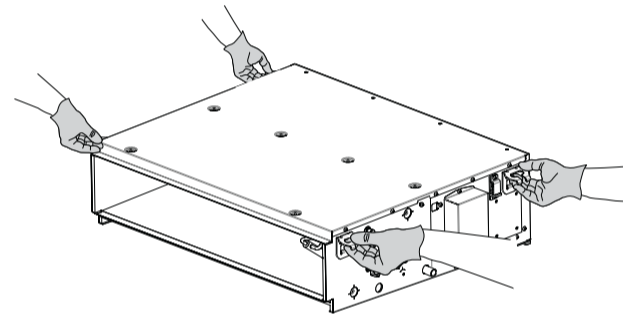
Tenga en cuenta lo siguiente:

- En la entrega, la unidad DEBE revisarse por si presenta daños. Cualquier daño DEBE ser notificado inmediatamente al agente de reclamaciones de la compañía de transporte.
- Para evitar daños durante el transporte, traslade la unidad lo más cerca posible de su lugar de instalación en el embalaje original.
- Prepare con antelación el camino por donde se transportará la unidad hacia el interior.

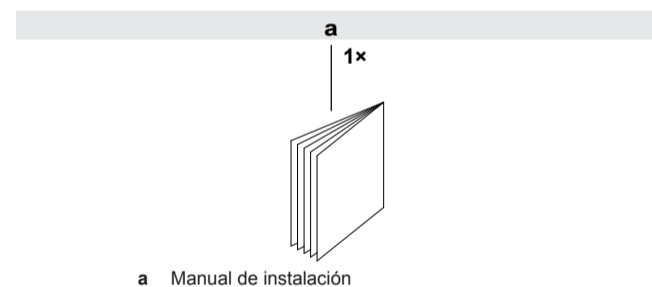
2.2 Desembalaje y manipulación de la unidad fan coil

Utilice una eslinga de material blando o placas protectoras junto con una cuerda para levantar la unidad. Esto es para no dañar ni rayar la unidad.

- 1 Levante la unidad sujetándola por los soportes de suspensión sin ejercer fuerza sobre ninguna otra parte, especialmente sobre la tubería de drenaje y el aislamiento térmico.



2.3 Extracción de los accesorios de la unidad fan coil



3 Acerca de la unidad

3.1 Resumen: Acerca de las unidades y las opciones

Este capítulo contiene información sobre:

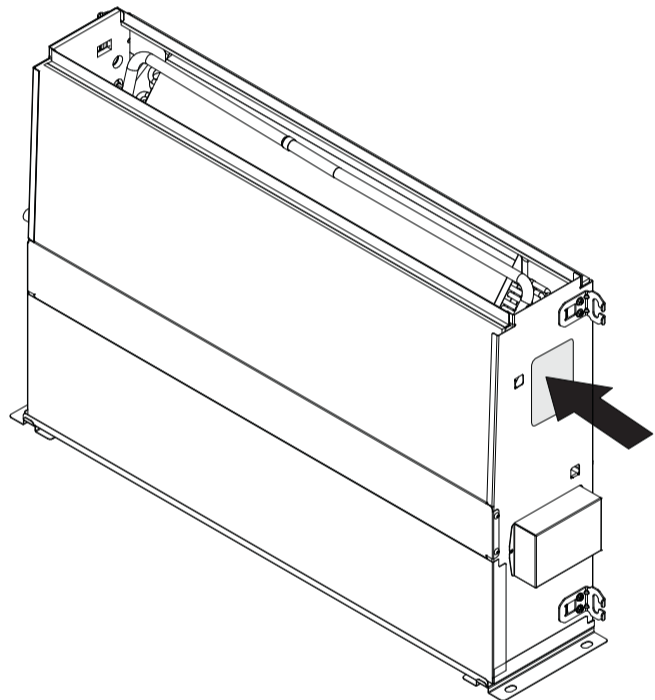
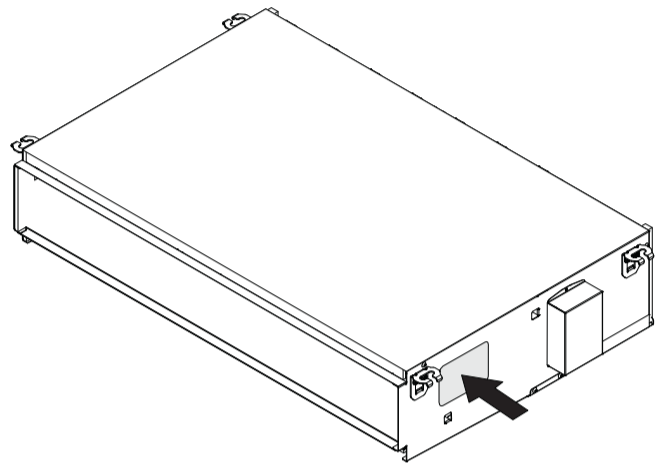
- Identificación de la unidad fan coil.

4 Preparación

3.2 Identificación

3.2.1 Etiqueta identificativa: Unidad fan coil

Ubicación



Identificación del modelo

Ejemplo: FW E 03 D A F N 5 V3 — L

Código	Descripción
FW	Unidad fan coil de agua
E	Presión estática baja Flex (LSP) sin carcasa
03	Clase de capacidad: 03=1,5 kW
D	Modificación menor en el modelo (A a Z)
A	Modificación menor
F	4 tubos
N	Sin válvula
5	Fábrica de Hendek
V3	Motor del ventilador / monofásico / 50 Hz / 220~240 V
—	Sin opción

Código	Descripción
L	S: Agua en el lado izquierdo – Conexión eléctrica en el lado izquierdo L: Agua en el lado izquierdo – Conexión eléctrica en el lado derecho T: Agua en el lado derecho – Conexión eléctrica en el lado derecho R: Agua en el lado derecho – Conexión eléctrica en el lado izquierdo

4 Preparación

4.1 Resumen: Preparación

Este capítulo describe lo que tiene que hacer y saber antes de ir al lugar de instalación.

Contiene información sobre:

- Preparación del lugar de instalación
- Preparación de las tuberías de agua
- Preparación del cableado eléctrico

4.2 Preparación del lugar de instalación

⚠ ADVERTENCIA

NO coloque objetos debajo de la unidad del ventilador, ya que el agua podría ocasionar daños. Si lo hace, la condensación en la unidad principal o las tuberías del agua, la suciedad en el filtro de aire o los atascos de drenaje pueden causar goteo, lo que provocaría acumulación de suciedad o fallos de funcionamiento del objeto en cuestión.

⚠ AVISO

Póngase en contacto con su distribuidor para garantizar que no se sobrepase la presión estática externa de la unidad.

No instale ni haga funcionar la unidad en ambientes como los descritos a continuación.

- Lugares con aceite mineral, o llenos de vapores de aceite o aerosoles como una cocina (las piezas de plástico pueden deteriorarse).
- Donde exista gas corrosivo como el gas sulfuroso. Las tuberías de cobre y los puntos de soldadura se pueden corroer.
- Donde el aire contenga niveles altos de sal, como cerca del océano y donde el voltaje fluctúe mucho. (por ejemplo, en fábricas). También en vehículos y naves.
- En lugares con maquinaria que emita ondas electromagnéticas. Las ondas electromagnéticas pueden causar interferencias en el sistema de control y hacer que el equipo no funcione correctamente.
- En lugares donde haya riesgo de incendio debido a escapes de gases inflamables (ejemplo: disolvente o gasolina), fibra de carbono, polvo inflamable.

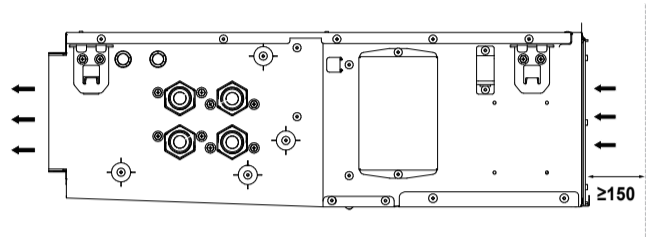
Para la instalación, elija un lugar que cumpla las siguientes condiciones y cuente con la aprobación de su cliente.

El espacio alrededor de la unidad debe ser adecuado para realizar el mantenimiento y el servicio de esta. El espacio alrededor de la unidad debe permitir una circulación y distribución del aire suficientes, consulte el espacio necesario para la instalación.

4 Preparación

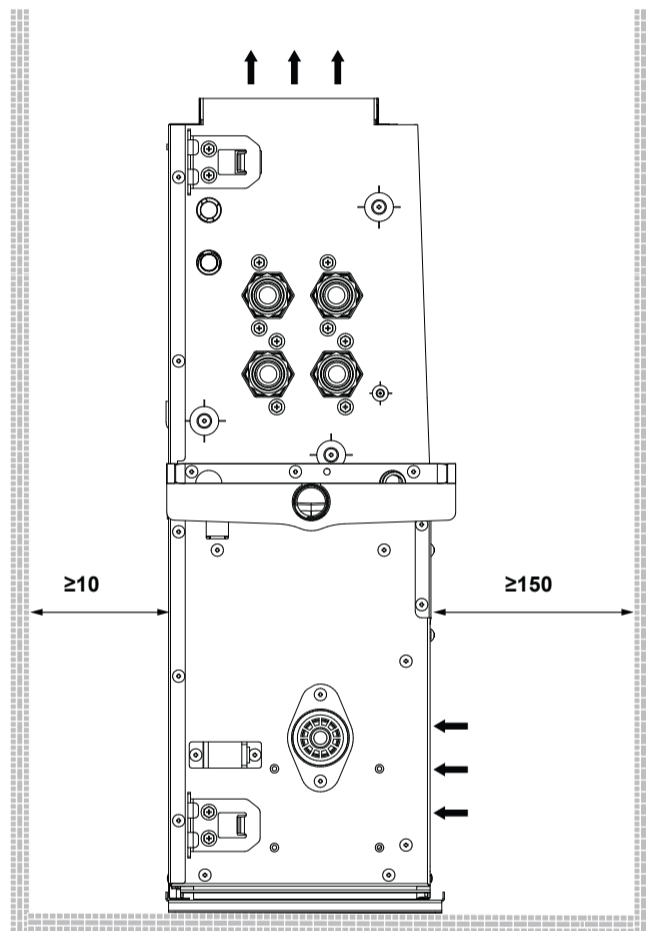
Instalación horizontal

La unidad debe instalarse $\geq 2,5$ m de la zona del suelo donde la unidad cuelga del techo.



Instalación vertical

Deberá considerarse un espacio de mantenimiento para el filtro en la instalación vertical tal como se muestra.



PRECAUCIÓN

No utilice pernos de suspensión para la instalación vertical. La instalación vertical debe realizarse con el kit de instalación vertical (ESFH01DS).

4.3 Preparación de las tuberías de agua

La unidad está equipada con una entrada y una salida de agua que se conectan al circuito de agua. El circuito de agua debe instalarlo un instalador autorizado y debe cumplir las normativas vigentes aplicables.



AVISO

Esta unidad solo se debe utilizar en circuitos de agua cerrados. La aplicación en un circuito de agua abierto puede llevar a una corrosión excesiva de las tuberías de agua.

Antes de instalar las tuberías de agua, verifique los puntos siguientes:

- La presión máxima del agua es de 1 MPa.
- La temperatura máxima del agua es 5°C.
- La temperatura máxima del agua es 90°C.
- Asegúrese de que los componentes instalados en la tubería de obra puedan soportar la presión y la temperatura del agua.
- Proporcione protecciones adecuadas en el circuito de agua para garantizar que la presión de agua no exceda nunca la presión máxima de funcionamiento autorizada.
- Asegúrese de proporcionar un drenaje correcto en la válvula de alivio de presión (si está instalada), para evitar que el agua entre en contacto con los componentes eléctricos.
- La unidad debe disponer de válvulas de cierre para que puedan realizarse las tareas de mantenimiento normales sin tener que vaciar el sistema.
- Se deben proporcionar válvulas de drenaje en todos los puntos bajos del sistema para permitir un drenaje completo del circuito durante las tareas de mantenimiento.
- Disponga válvulas de purga de aire en los puntos más altos del sistema. Las válvulas deben colocarse en puntos a los que se pueda acceder fácilmente para el mantenimiento.

4.4 Preparación del cableado eléctrico

4.4.1 Acerca de la preparación del cableado eléctrico



ADVERTENCIA

- Utilice SOLO cables de cobre.
- Asegúrese de que el cableado de obra cumple con la normativa vigente.
- El cableado de obra DEBE realizarse de acuerdo con el diagrama de cableado que se suministra con el producto.
- NUNCA apriete ni presione los mazos de cables y cerciórese de que NO entren en contacto con las tuberías ni con bordes cortantes. Asegúrese de que no se aplica presión externa a las conexiones de los terminales.
- Asegúrese de instalar cableado de conexión a tierra. NO conecte la unidad a una tubería de uso general, a un captador de sobretensiones o a líneas de tierra de teléfonos. Si la conexión a tierra no se ha realizado correctamente, pueden producirse descargas eléctricas.
- Para la alimentación eléctrica, asegúrese de emplear un circuito exclusivo. NUNCA utilice una fuente de energía eléctrica compartida con otro aparato.
- Asegúrese de que instala los fusibles o interruptores automáticos necesarios.
- Asegúrese de instalar un disyuntor de fugas a tierra correctamente. De no hacerlo, se podrían producir descargas eléctricas o fuego.
- Cuando instale el disyuntor de fugas a tierra, asegúrese de que sea compatible con el inverter (resistente a ruidos eléctricos de alta frecuencia) para evitar la innecesaria apertura del disyuntor de fugas a tierra.

5 Instalación

AVISO

Los equipos descritos en este manual pueden causar ruidos electrónicos generados por energía de radiofrecuencia. Dichos equipos cumplen las especificaciones concebidas para proporcionar una protección razonable frente a dichas interferencias. Sin embargo, no se garantiza que no vayan a aparecer interferencias en casos de instalaciones concretas.

Por tanto, recomendamos instalar el equipo y los cables eléctricos a una cierta distancia de equipos estéreo, ordenadores personales, etc.

ADVERTENCIA

Todo el cableado y los componentes de obra DEBE instalarlo un electricista autorizado y DEBEN cumplir las normativas vigentes aplicables.

PELIGRO: RIESGO DE ELECTROCUCIÓN

ADVERTENCIA

En el cableado fijo DEBE incorporarse, según la reglamentación pertinente, un interruptor principal u otro medio de desconexión que tenga una separación constante en todos los polos.

Características eléctricas

	FWE-D
Fase	1N~
Frecuencia	50 Hz
Rango de tensión	220~240 V
Tolerancia de tensión	±10%
Corriente máxima de funcionamiento	0,46 A
Fusible de sobreintensidad	16 A

Especificaciones del cableado de obra

	Cable	Tamaño (mm ²)	Longitud
Cableado de alimentación eléctrica	H05VV-U3G ^{(a)(b)}	Conforme a la normativa vigente ≤4,0	—
Controlador remoto y cableado de transmisión	Cable forrado de 2 hilos ^(c)	0,75~1,25	≤500 m ^(d)

^(a) Solo en caso de tuberías protegidas. Utilice H07RN-F en caso de no haber protección.

^(b) Tienda el cableado eléctrico a través del conducto para protegerlo frente a tensiones externas.

^(c) Use cable con doble aislamiento para el control remoto (espesor del revestimiento ≥1 mm) o pase los cables por una pared o conducto de forma que el usuario no pueda tocarlos accidentalmente.

^(d) La longitud deberá ser la longitud total extendida en un sistema con control de grupo.

5 Instalación

5.1 Montaje de la unidad fan coil

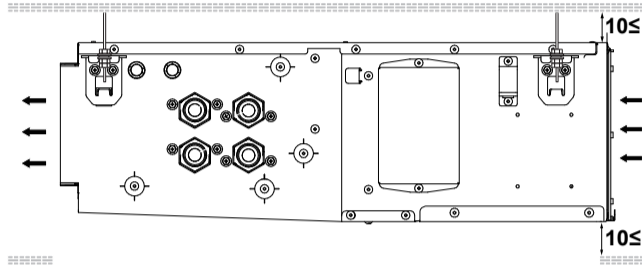
INFORMACIÓN

El espacio entre el techo y la unidad debe ser de ≥10 mm y el espacio de aspiración debe ser de ≥150 mm.

INFORMACIÓN

Todas las piezas de arriba se suministran independientemente. Para instalaciones distintas a la estándar, póngase en contacto con su distribuidor.

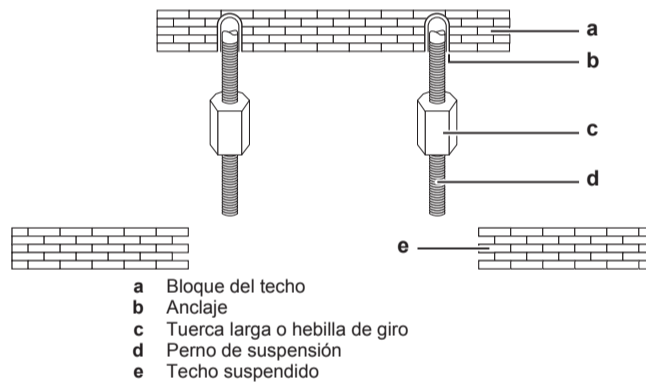
5.1.1 Instalación horizontal



- 1 Realice la abertura en el techo necesaria para la instalación allí donde sea aplicable.

Podría ser necesario reforzar la estructura del techo para mantener el nivel del techo y evitar que vibre. Para obtener información detallada, consulte al constructor.

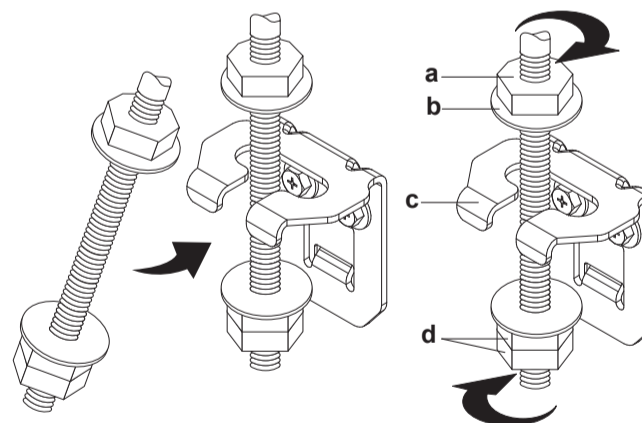
- 2 Instalación de los pernos de suspensión. Utilice pernos de tamaño W3/8 o M10. Utilice anclajes para los techos existentes e insertos, anclajes u otras piezas de obra hundidas para techos nuevos para reforzar el techo para soportar el peso de la unidad. Consúltelo para comprobar los puntos que hay que reforzar. Ajuste el espacio libre del techo antes de proseguir.



- a Bloque del techo
- b Anclaje
- c Tuerca larga o hebilla de giro
- d Perno de suspensión
- e Techo suspendido

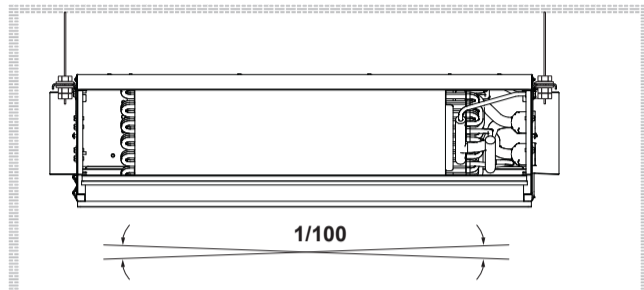
- 3 Instale la unidad provisionalmente.

Fije el soporte de suspensión al perno de suspensión. Fije la unidad firmemente.



- a Tuerca (suministro independiente)
- b Arandela (suministro independiente)
- c Soporte de suspensión
- d Tuerca doble (suministro independiente)

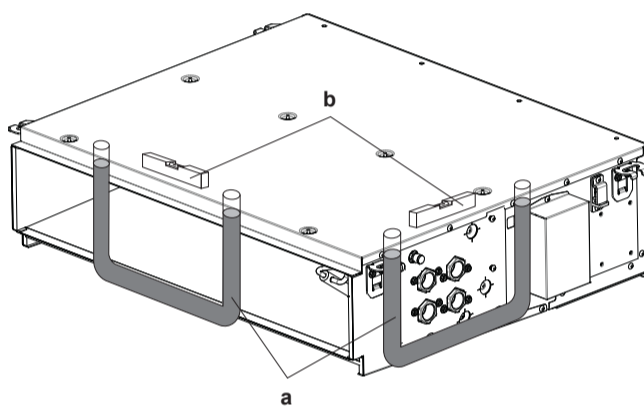
4 Ajuste la unidad en la posición correcta para la instalación.



5 Compruebe si la unidad está nivelada horizontalmente.

No instale la unidad inclinada. Si la unidad se inclina contra la dirección del flujo de condensación (es decir, si se levanta del lado de la tubería de drenaje), el agua podría gotear.

Compruebe si la unidad está nivelada en las 4 esquinas con un nivel de agua o un tubo de vinilo lleno de agua.



a Tubo de plástico
b Nivel

5.1.2 Instalación vertical



AVISO

NO ejerza fuerza excesiva cuando conecte la tuberías. La deformación de las tuberías puede causar que la unidad no funcione adecuadamente. Asegúrese de que al par de apriete sea de 3 N•m para todos los tornillos.

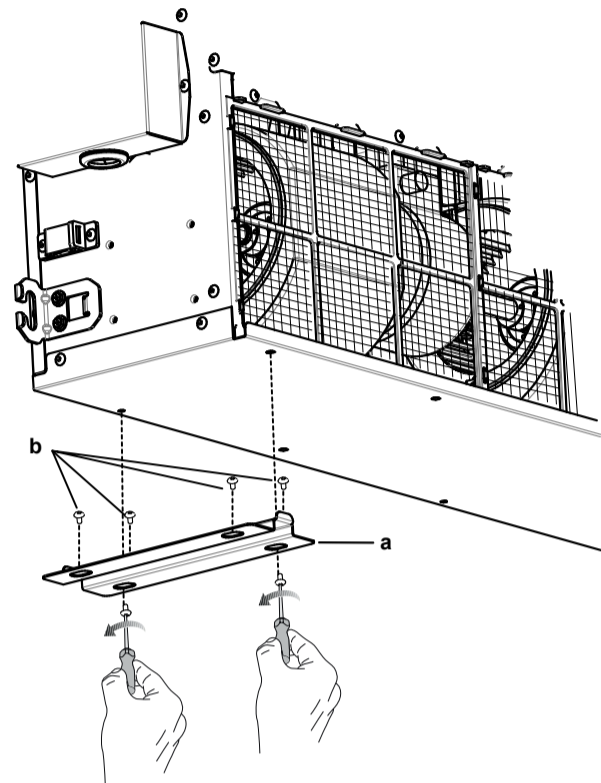


AVISO

Un distribuidor local deberá proporcionar el kit opcional (ESFH01DS) para instalar la unidad verticalmente.

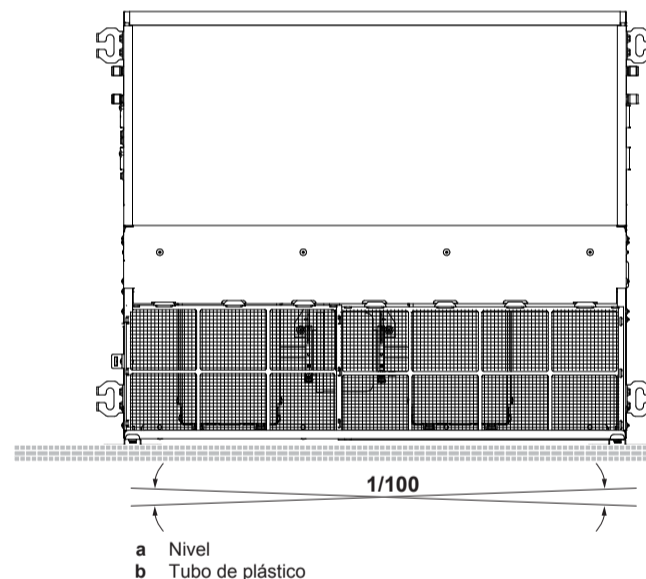
1 Instale la unidad provisionalmente.

instale la unidad en el suelo con la patas de instalación. Asegúrese de colocar la unidad en el suelo firmemente. Si existe riesgo de caída de la unidad, fijela al suelo utilizando tornillos en los orificios de las patas de instalación.



a Pata de instalación
b Tornillo de fijación

2 Ajuste la unidad en la posición correcta para la instalación.



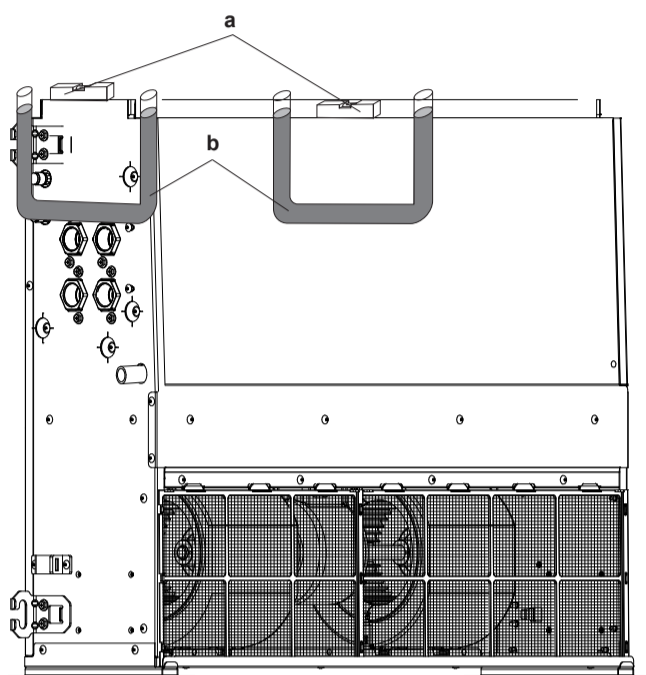
a Nivel
b Tubo de plástico

3 Compruebe si la unidad está nivelada horizontalmente.

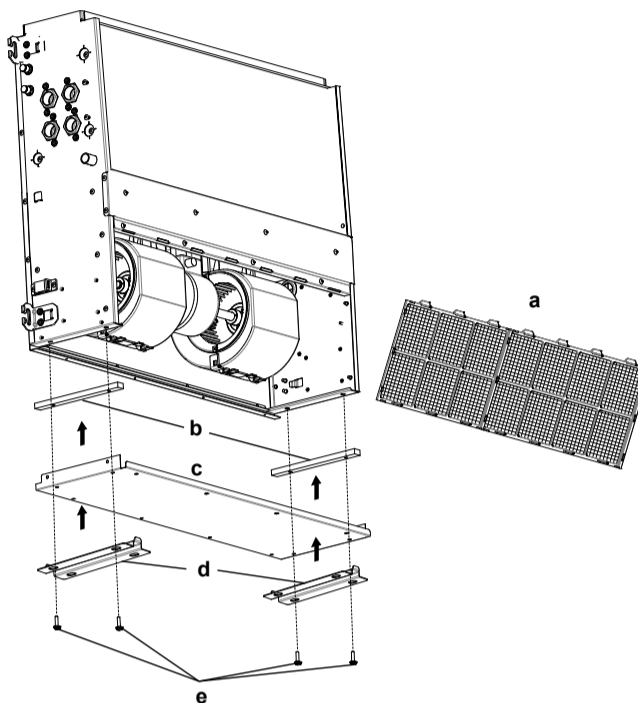
No instale la unidad inclinada. Si la unidad se inclina contra la dirección del flujo de condensación (es decir, si se levanta del lado de la tubería de drenaje), el agua podría gotear.

Compruebe si la unidad está nivelada en las cuatro esquinas con un nivel de agua o un tubo de vinilo lleno de agua.

5 Instalación



7 Esta unidad está preparada para instalación vertical.



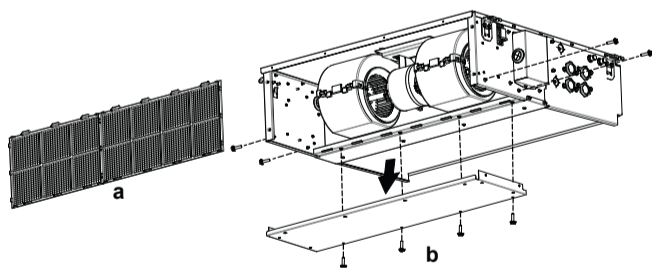
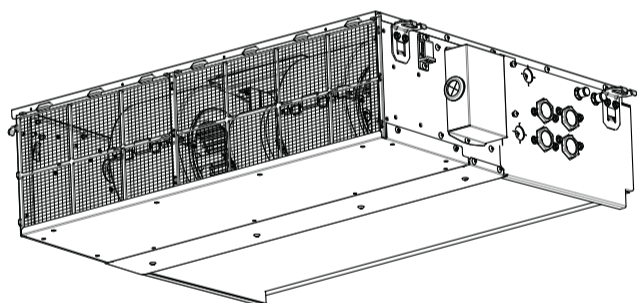
5.2 Cambio de instalación horizontal a vertical

⚠ PRECAUCIÓN

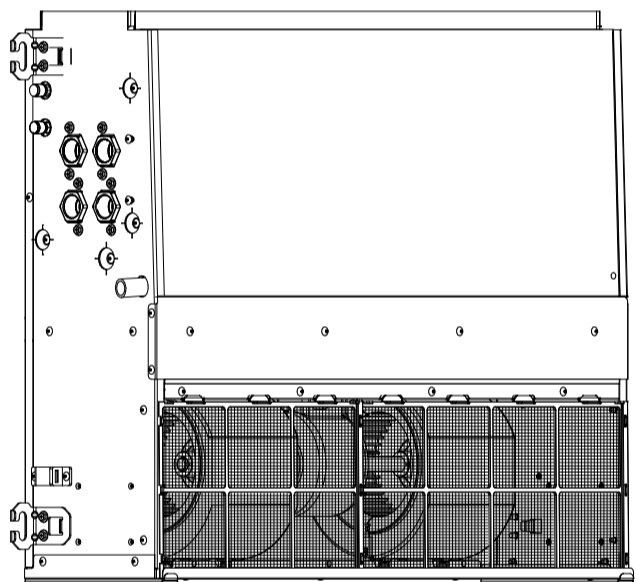
Asegúrese de que la unidad está nivelada en todas las direcciones.

En caso de cambiar de instalación horizontal a instalación vertical, siga las siguientes instrucciones.

- 1 Retire el filtro de aire.
- 2 Extraiga los tornillos de la tapa de servicio y sepárela de la unidad.



- 3 Inserte el soporte de goma (incluido en el kit opcional) en el área libre que hay entre la placa lateral y las bridas inferiores.
- 4 Vuelva a colocar la tapa de servicio en el lado inferior.
- 5 Fije las 2 patas de instalación del kit opcional de instalación vertical en la tapa de servicio mediante los 4 tornillos del kit opcional.
- 6 Vuelva a fijar el filtro de aire en la guía del filtro de la tapa de servicio.



- a Filtro de aire
- b Tapa de servicio
- c Patas de instalación
- d Tornillos
- e Filtro de aire

5.3 Conexión de las tuberías de agua

⚠ AVISO

No ejerza fuerza excesiva cuando conecte la tuberías. La tuberías de la unidad podrían deformarse. La deformación de los tubos puede causar que la unidad no funcione adecuadamente.

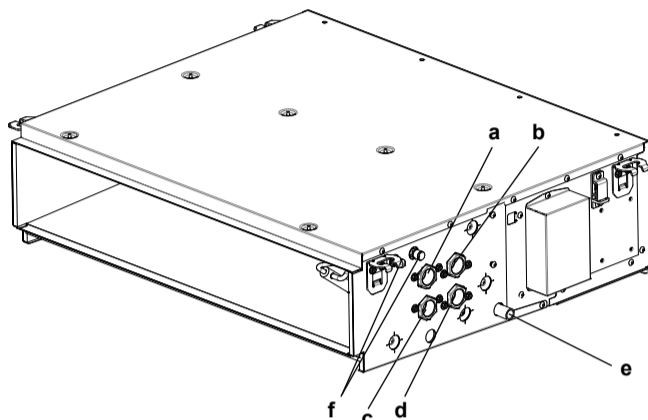
⚠ PRECAUCIÓN

Las válvulas deben utilizarse siempre para controlar la circulación del agua en la unidad. La válvula deberá ser del tipo NC (normalmente cerrada) para que las válvulas estén cerradas cuando la unidad no funcione. Esto evitará que se produzca agua de condensación.

5 Instalación

5.3.1 Cómo conectar las tuberías de agua

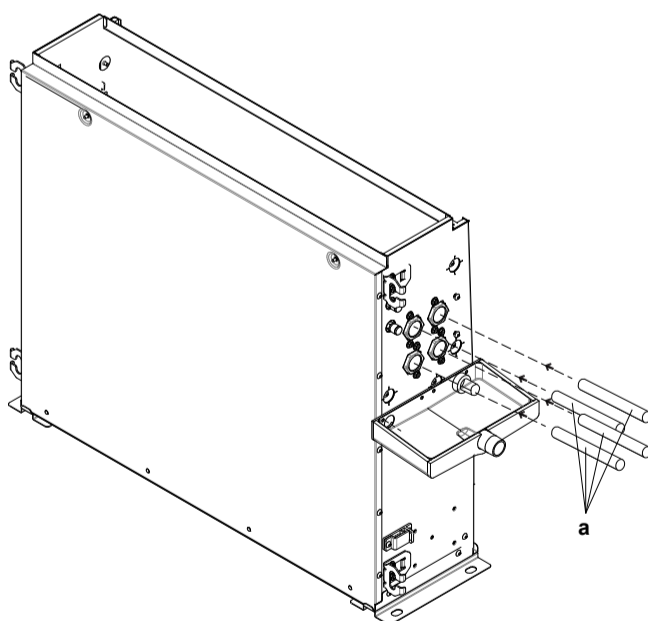
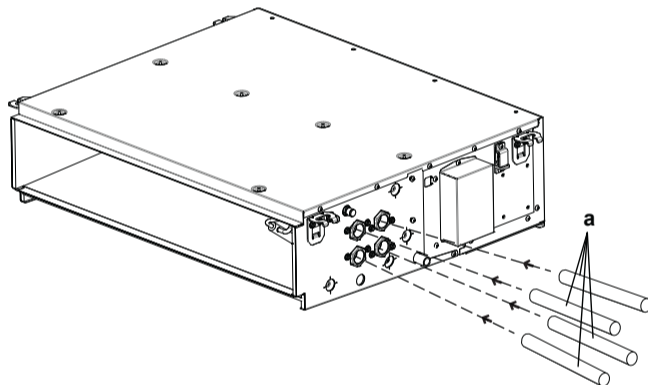
- 1 Conecte las conexiones de entrada y salida de agua de la unidad fan coil en la tubería de agua.



- a Conexión de la tubería de drenaje (3/4" macho)
- b Entrada de agua enfriada (3/4" hembra BSP)
- c Salida de agua enfriada (3/4" hembra BSP)
- d Entrada de agua calentada (3/4" hembra BSP)
- e Salida de agua calentada (3/4" hembra BSP)
- f Válvula de purga de aire
- g Válvula de purga de aire

Observación: Utilice un tubo BSP de 3/4" macho en caso de conexión directa a la unidad.

- 2 Se debe aislar el circuito de agua completo, incluyendo todas las tuberías, para evitar la condensación y la reducción de la capacidad.



a Tubería de conexión

5.3.2 Llenado del circuito de agua



AVISO

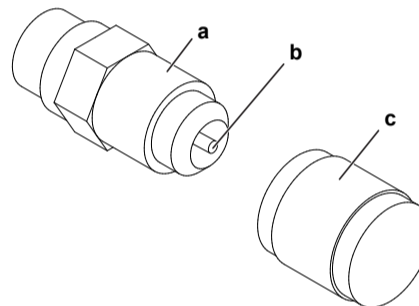
Asegúrese de que la calidad del agua cumpla con la Directiva Europea 98/83CE.



AVISO

- El aire dentro del circuito de agua puede causar fallos de funcionamiento. Durante el llenado podría no ser posible eliminar todo el aire del circuito. El aire residual se eliminará a través de las válvulas de purga automática de aire durante las primeras horas de funcionamiento del sistema. Es posible que sea necesario rellenar agua posteriormente.
- Para purgar el sistema, utilice la función especial tal como se describe en "6 Puesta en servicio" en la [página 85](#).

- 1 Abra la tapa.
- 2 Presione la válvula de alivio de presión para purgar el aire del circuito(s) de agua de la unidad.
- 3 Cierre la tapa.
- 4 Es posible que sea necesario rellenar agua posteriormente (pero nunca a través de la válvula de purga de aire).



- a Purga de aire
- b Válvula de alivio de presión
- c Caperuza

5.4 Conexión del cableado eléctrico

5.4.1 Acerca de la conexión del cableado eléctrico

Flujo de trabajo habitual

La conexión del cableado eléctrico consta normalmente de las siguientes fases:

- 1 Asegurarse de que el sistema de alimentación eléctrica coincide con las especificaciones eléctricas de las unidades.
- 2 Conexión del cableado eléctrico a la unidad fan coil.
- 3 Cambio de sentido del cableado eléctrico (si procede).

5.4.2 Pautas para realizar la conexión del cableado eléctrico

Cuando conecte cables del mismo calibre, conéctelos de acuerdo con la ilustración de abajo.



5 Instalación

Observe las notas mencionadas más abajo cuando vaya a instalar el cableado eléctrico.

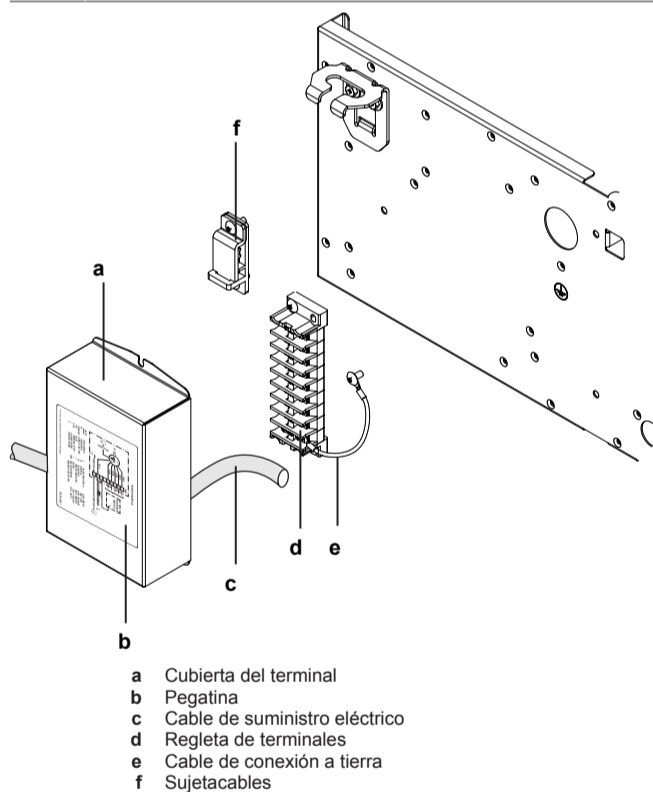
- No conecte cables de diferente calibre al mismo terminal de alimentación. Si la conexión está floja, se puede provocar sobrecalentamiento.
- No conecte cables de diferente calibre al mismo terminal de toma de tierra. Si la conexión está floja, se puede provocar un deterioro en la protección.
- Utilice el cable eléctrico especificado (consulte "Especificaciones del cableado de obra" en la página 78). Conecte el cable firmemente al terminal. Utilice el par de apriete adecuado (N·m).
- Par de apriete del bloque de terminales de alimentación eléctrica: 1,44~1,88 N·m.
- Mantenga el cableado en buen orden para que no obstruya otros equipos, ni fuerce la apertura de la cubierta del terminal. Asegúrese de que la tapa se cierra firmemente. Las conexiones incompletas pueden dar como resultado el sobrecalentamiento, y en el peor de los casos, descarga eléctrica o fuego.

5.4.3 Conexión del cableado eléctrico en la unidad fan coil

Consulte la pegatina del diagrama de cableado en la cubierta del terminal.

AVISO

- Siga el diagrama del cableado eléctrico (suministrado con la unidad y que está ubicado en la cubierta de la caja de interruptores).
- Asegúrese de que el cableado eléctrico NO obstruya la correcta recolocación de la tapa de servicio.



- 1 Retire la cubierta del terminal y el sujetacables de la unidad.
- 2 Conecte el cable de alimentación eléctrica a la regleta de terminales.
- 3 Fije el cable de alimentación eléctrica con el sujetacables.
- 4 Vuelva a colocar la cubierta del terminal en la unidad.

5.4.4 Cambio de sentido del cableado eléctrico

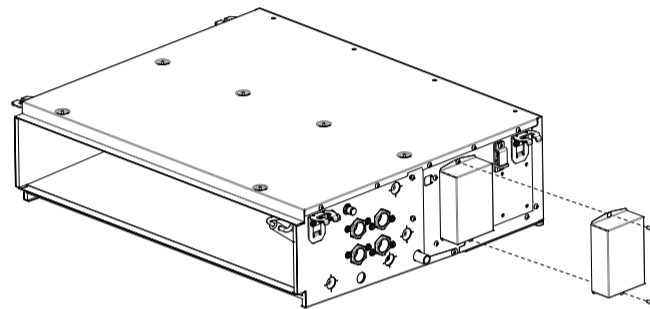
AVISO

La dirección del cableado eléctrico puede cambiarse al lado opuesto en la obra.

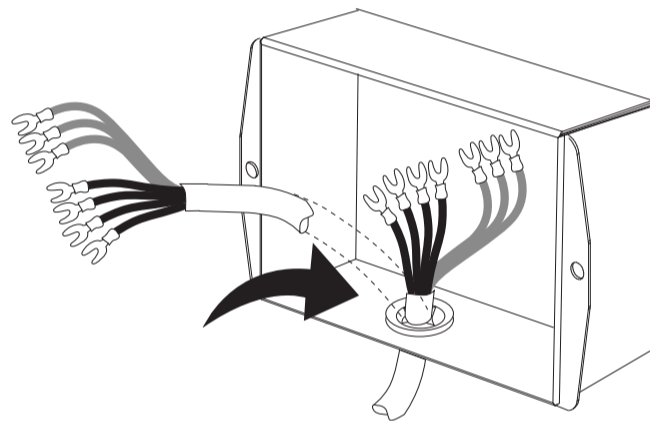
AVISO

Cuando acople la cubierta del terminal, asegúrese de no pellizcar ningún cable.

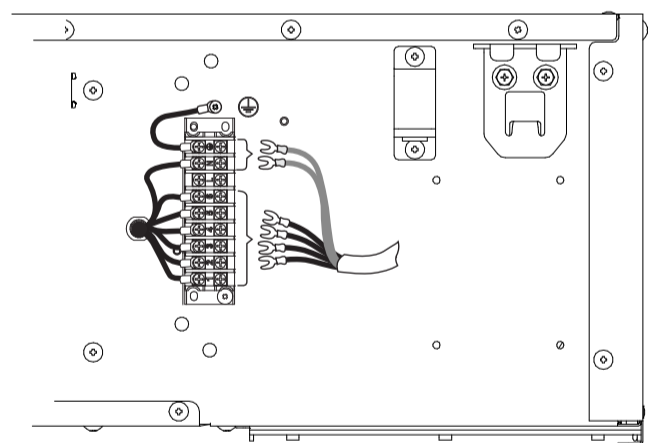
- 1 Retire la cubierta del terminal, el terminal, el sujetacables, el cable de conexión a tierra y los cables del motor del ventilador.



- 2 Suelte los cables del motor del ventilador de los sujetacables.

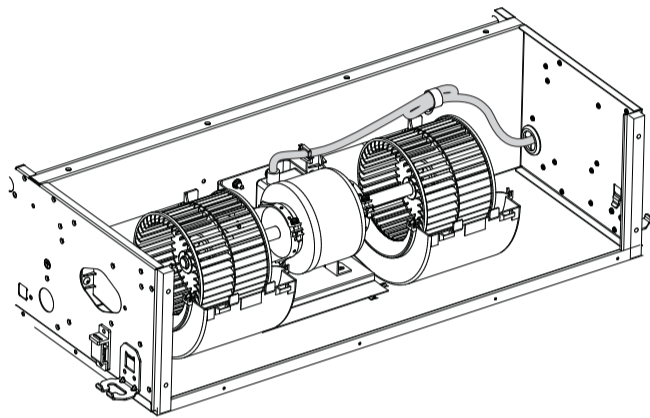
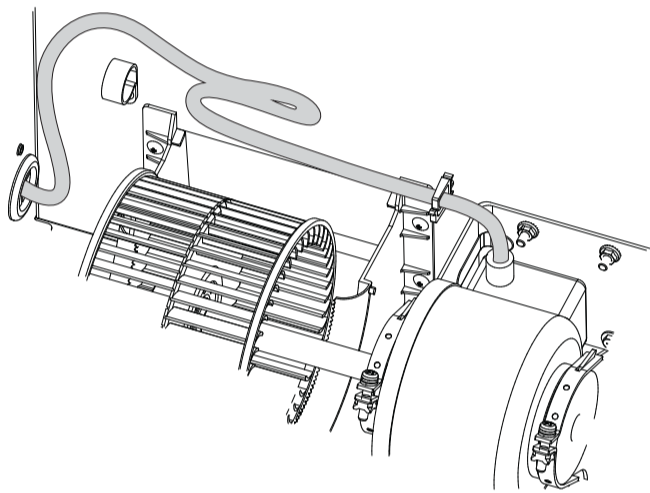
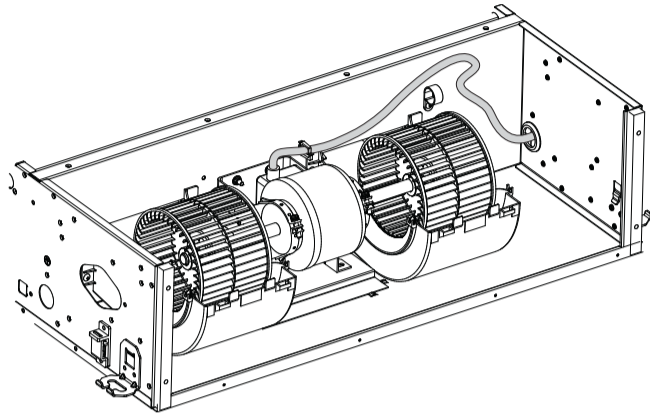
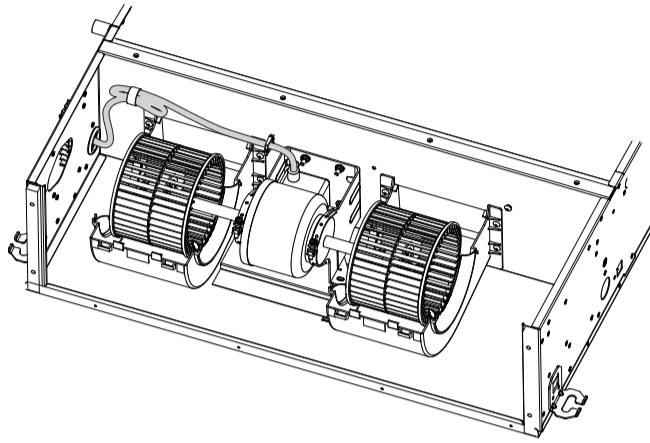


- 3 Cambie la dirección de los cables del motor del ventilador.

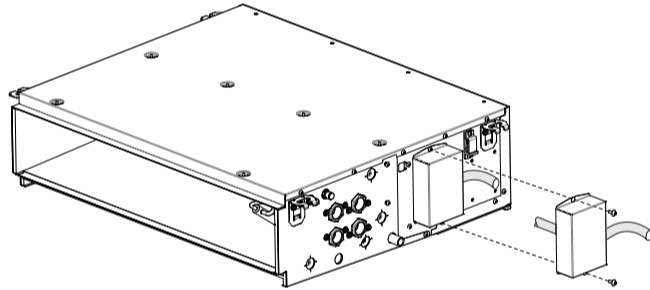
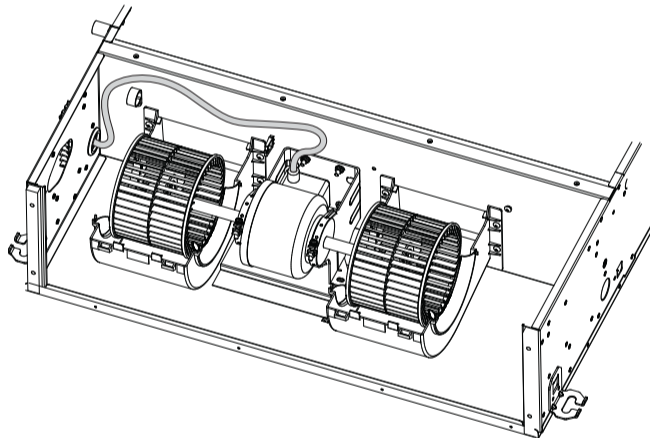


- 4 Fije los cables en la placa de división. Asegúrese de que los cables que no se utilizan estén firmemente fijados con la abrazadera para cables en la nueva posición.

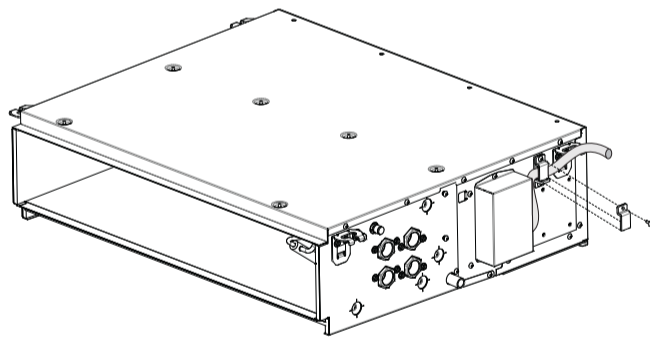
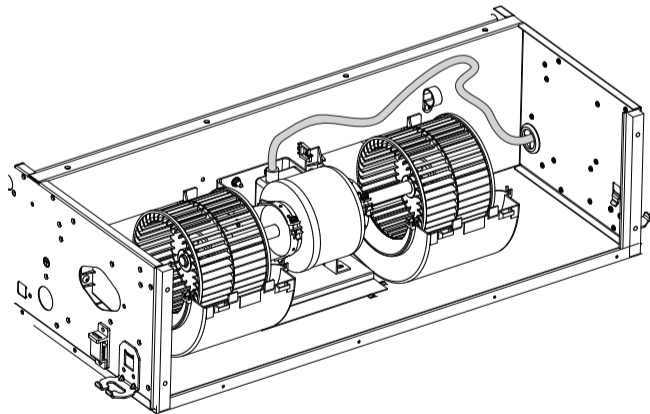
5 Instalación



5 Fije la piezas extraídas en la unidad.



6 Instale el sujetacables extraído para fijar el cable.

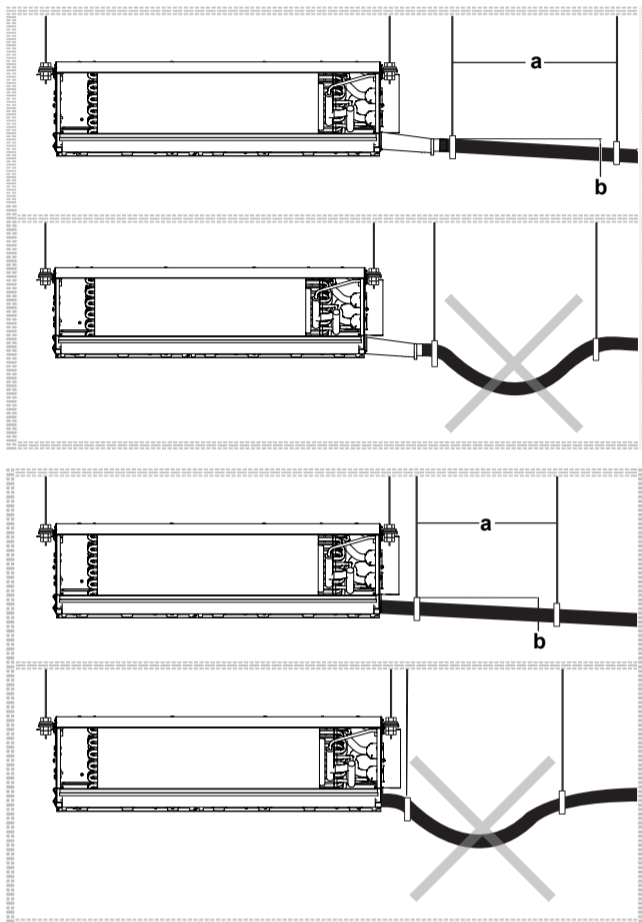


5 Instalación

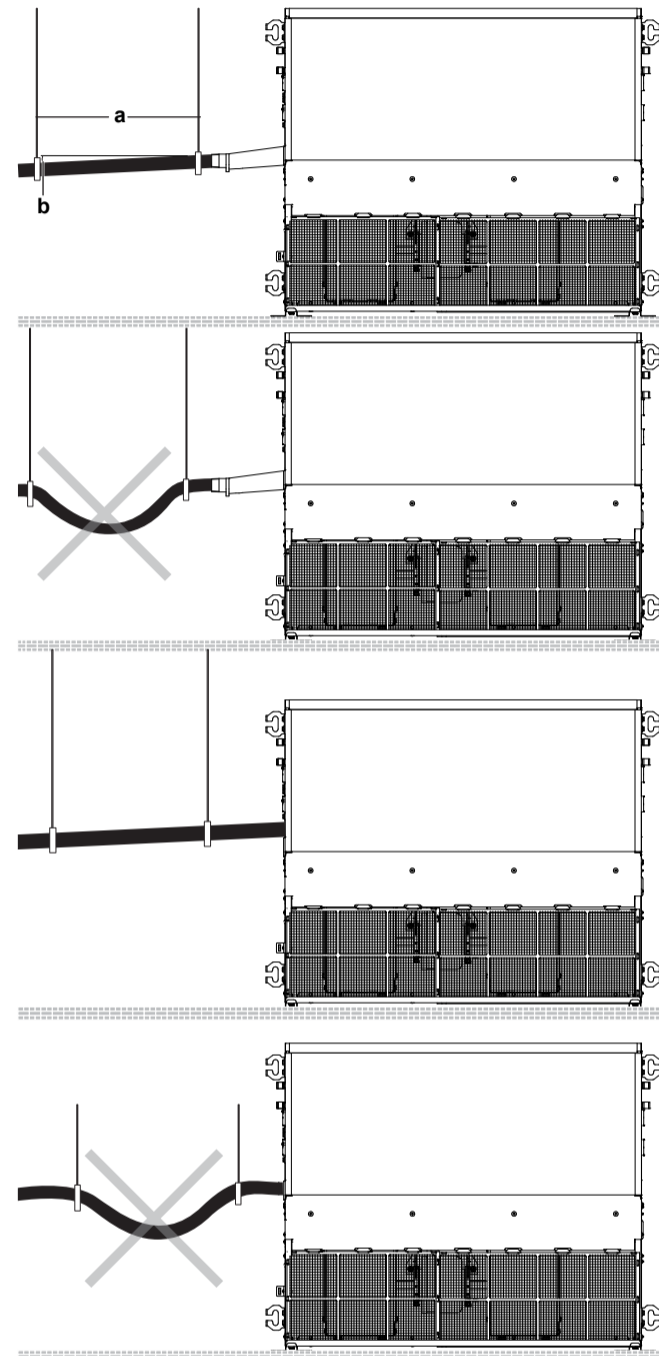
5.5 Conexión de la tubería de drenaje

5.5.1 Instalación de la tubería de drenaje a la unidad

Instalación horizontal



Instalación vertical



- a Barra de refuerzo
- b Gradiente $\geq 1/100$

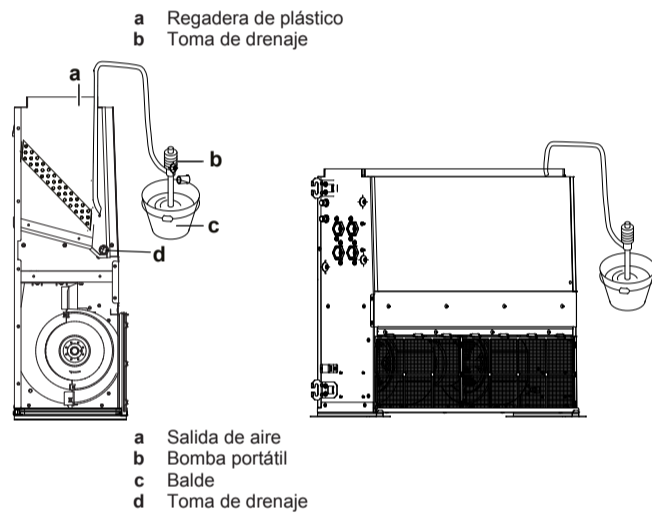
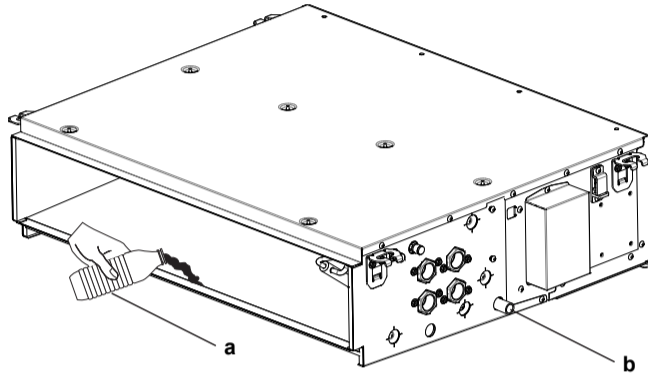
Mantenga las longitudes de tubo lo más cortas posible e inclínelas hacia abajo en una pendiente de al menos 1/100 de forma que el aire no quede atrapado en el interior de la tubería.

6 Puesta en marcha

5.5.2 Comprobación de la tubería de drenaje

Una vez finalizada la instalación de las tuberías, compruebe si el drenaje fluye sin problemas.

- 1 Añada aproximadamente 1 litro de agua poco a poco a través de la salida de aire.



- 2 Asegúrese de que el drenaje se está realizando observando la toma de drenaje.

6 Puesta en marcha

Proporcione al cliente los datos de diseño ecológico según (EU)2016/2281. Estos datos se encuentran en la guía de referencia del instalador o en el sitio web Daikin.

- AVISO**
Maneje SIEMPRE la unidad con los termistores y/o sensores/interruptores de presión. Si NO lo hace, el compresor podría quemarse.

6.1 Cómo realizar una prueba de funcionamiento

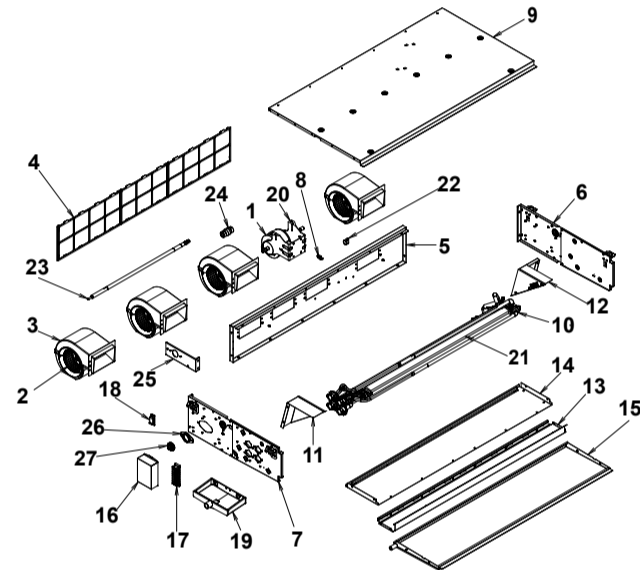
El instalador está obligado a verificar el correcto funcionamiento de la unidad después de la instalación. En caso de que vaya algo mal con la unidad y no funcione, póngase en contacto con su distribuidor.

- AVISO**
No interrumpa la prueba de funcionamiento.

- AVISO**
NO intente desmontar el sistema usted mismo: el desmantelamiento del sistema, así como el tratamiento del refrigerante, aceite y otros componentes, debe ser efectuado de acuerdo con las normas vigentes. Las unidades DEBEN ser tratadas en instalaciones especializadas para su reutilización, reciclaje y recuperación.

- ADVERTENCIA**
Tome las medidas adecuadas para evitar que la unidad se convierta en refugio de pequeños animales. Si algún animal entrase en contacto con los componentes eléctricos, podría causar averías o hacer que apareciese humo o fuego.

Utilice una herramienta adecuada para extraer los tornillos. El producto se puede desmontar tal como se muestra a continuación.



Lista de instrucciones sobre reciclaje FWE-D	
Materiales	Elemento
Componente eléctrico (motor del ventilador + condensador)	1
Aluminio (aleta) + cobre (tubo) + (placa) de acero galvanizado + latón	10
Plástico	2, 18, 8, 22, 27
Plástico + metal	3, 17, 24
Plástico (estructura) + plástico (red)	4
Acero galvanizado	5, 9, 13, 14, 16, 20, 23, 25, 26
Acero galvanizado + espuma plástica	6, 7, 11, 12, 15, 19
Espuma plástica	21

7 Mantenimiento y servicio técnico

6.2 Lista de comprobación antes de la puesta en servicio

Tras haber instalado la unidad, debe comprobar los siguientes puntos en primer lugar. Una vez que haya comprobado todos los puntos, debe cerrar la unidad. Después de cerrar la unidad, enciéndala.

<input type="checkbox"/>	Instalación Compruebe que la unidad está fijada correctamente para evitar ruidos y vibraciones anormales cuando ponga en marcha la unidad.
<input type="checkbox"/>	Drenaje Asegúrese de que el drenaje fluya sin problemas. Posible consecuencia: El agua de condensación puede gotear.
<input type="checkbox"/>	Tensión de alimentación Compruebe la tensión de alimentación del panel de alimentación local. La tensión DEBE corresponderse con la de la etiqueta de identificación de la unidad.
<input type="checkbox"/>	Cableado de conexión a tierra Asegúrese de que los cables para la toma de tierra se han conectado correctamente y de que los terminales de la toma de tierra están apretados.
<input type="checkbox"/>	Fusibles, interruptores automáticos o dispositivos de protección Compruebe que los fusibles, interruptores automáticos u otros dispositivos de protección instalados localmente son del tamaño y tipo especificados en "4.4 Preparación del cableado eléctrico" en la página 77. Asegúrese de que no se ha puenteado ningún fusible ni dispositivo de protección.
<input type="checkbox"/>	Cableado interno Compruebe visualmente la caja de componentes eléctricos y el interior de la unidad por si existieran cables sueltos o componentes eléctricos dañados.
<input type="checkbox"/>	Daños en el equipo Compruebe en el interior de la unidad si hay componentes dañados o tubos aplastados.
<input type="checkbox"/>	Entrada y salida de aire Compruebe que la entrada y la salida de aire NO están obstruidas por hojas de papel, cartones o cualquier otro objeto.

7 Mantenimiento y servicio técnico

! AVISO

El mantenimiento DEBE llevarlo a cabo un instalador autorizado o un agente de servicios.

Recomendamos realizar el mantenimiento, al menos, una vez al año. No obstante, la ley puede exigir intervalos de mantenimiento más cortos.

7.1 Cómo limpiar el filtro de aire

Cuándo

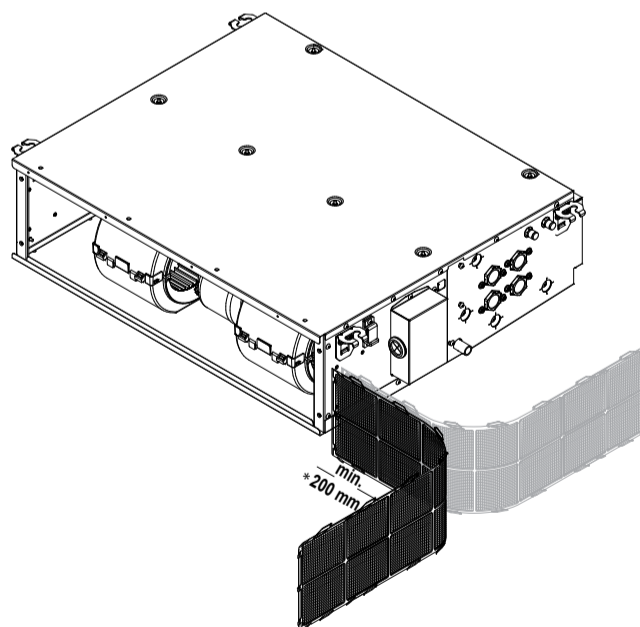
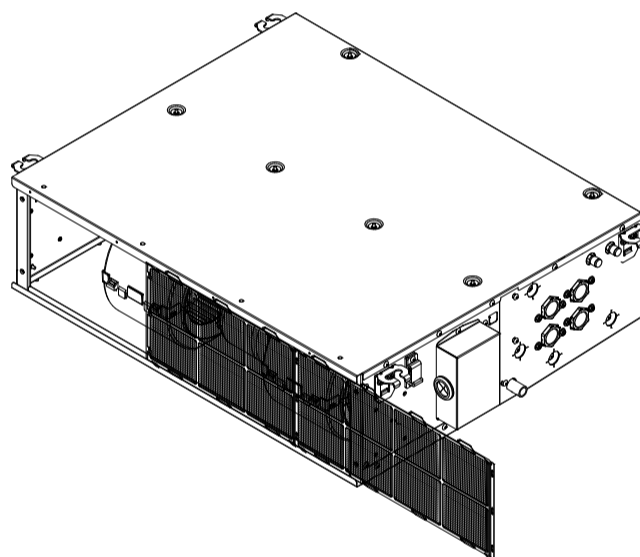
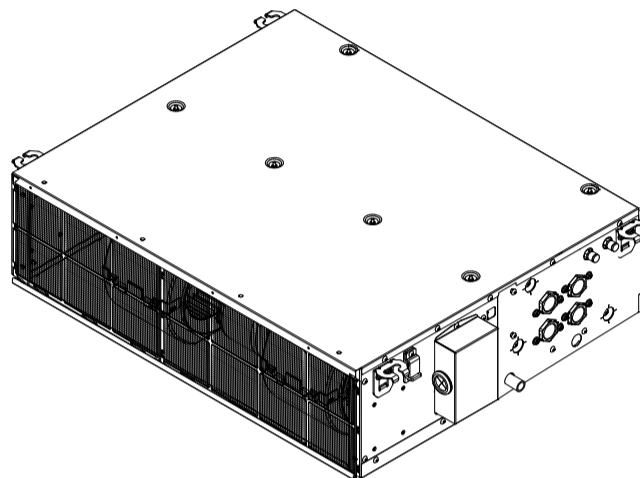
- Límpielo cada 6 meses. Si el aire de la habitación está muy contaminado, aumente la frecuencia de limpieza.
- Si es imposible limpiar la suciedad, cambie el filtro de aire por uno original.

Cómo

- 1 Corte el suministro eléctrico.
- 2 El filtro de aire puede instalarse en 1 o 2 posiciones del producto (lateral e inferior). Retire el filtro deslizándolo tal como se muestra a continuación.

Instalación horizontal

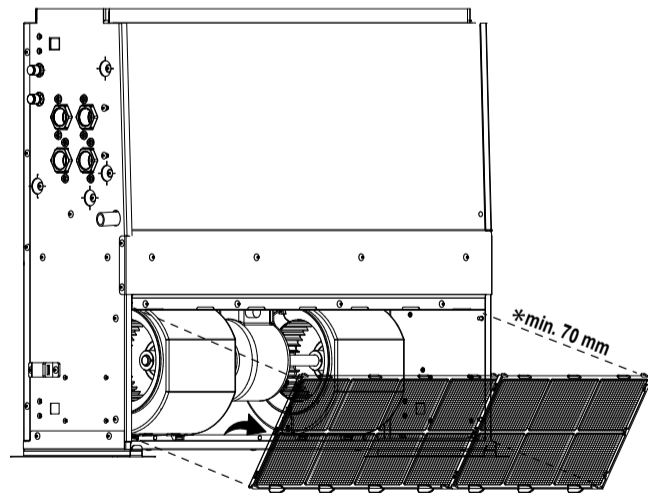
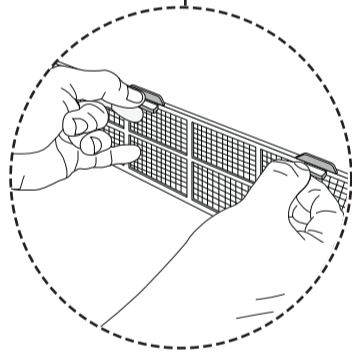
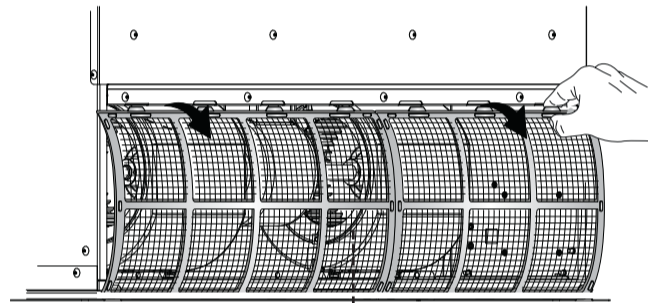
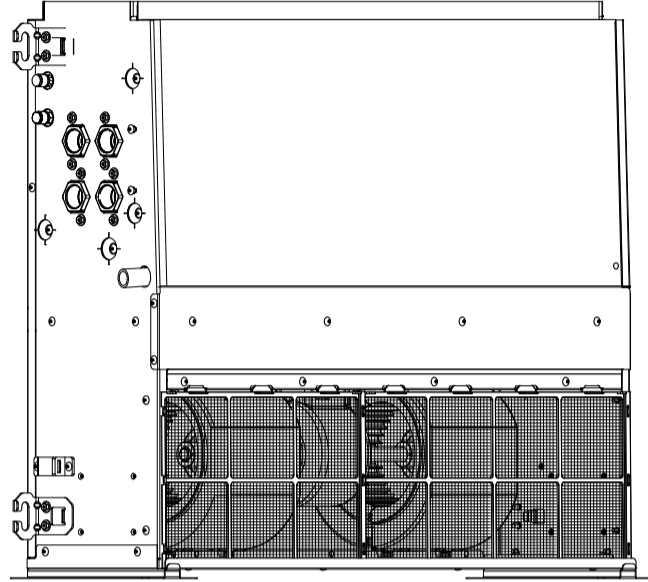
Retire el filtro deslizándolo.



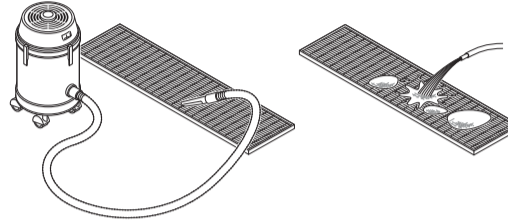
7 Mantenimiento y servicio técnico

Instalación vertical

Presione las pestañas del filtro y tire de él hacia atrás.



- 3 Utilice una aspiradora o lave el filtro del aire con agua. Cuando el filtro del aire esté muy sucio, utilice un cepillo suave y detergente neutro.



- 4 Vuelva a colocar el filtro de aire en su posición original.

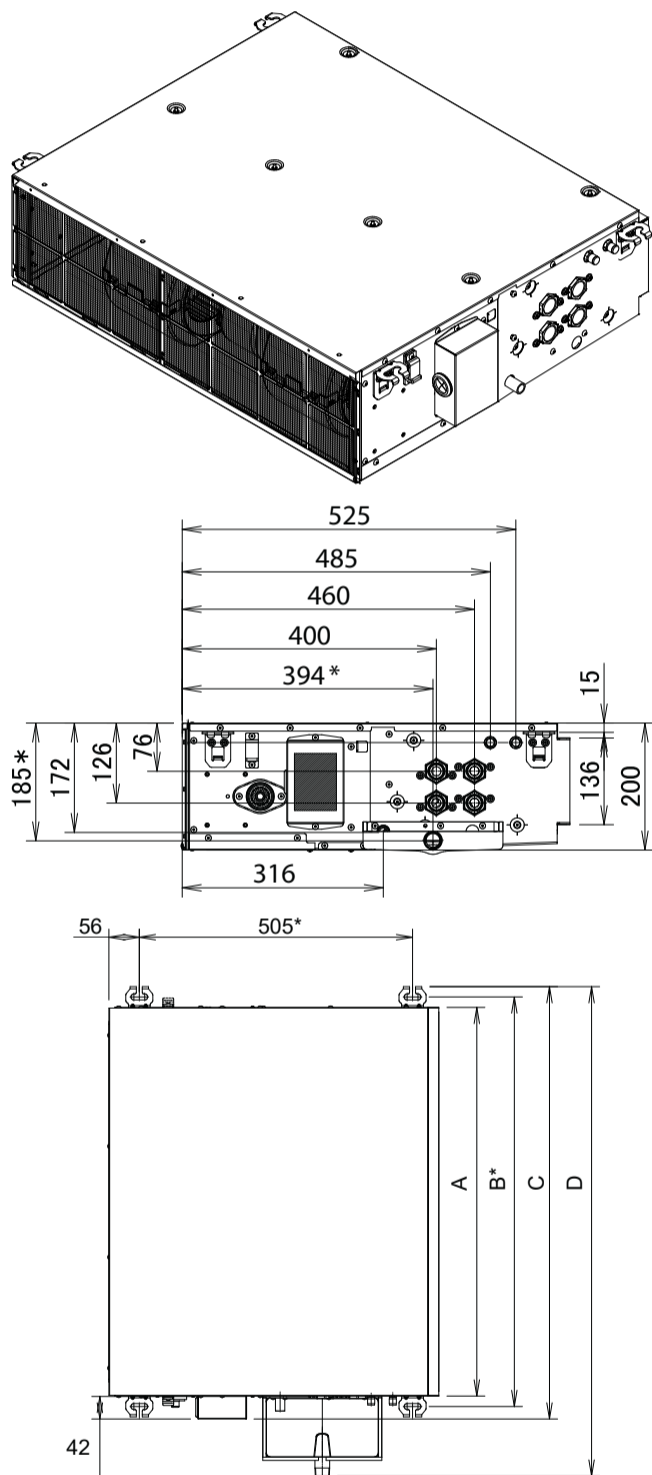
8 Datos técnicos

8 Datos técnicos

- Hay disponible un **subconjunto** de los datos técnicos más recientes en el sitio web regional Daikin (accesible al público).
- Hay disponible un **conjunto completo** de los datos técnicos más recientes en el Daikin Business Portal (autenticación necesaria).

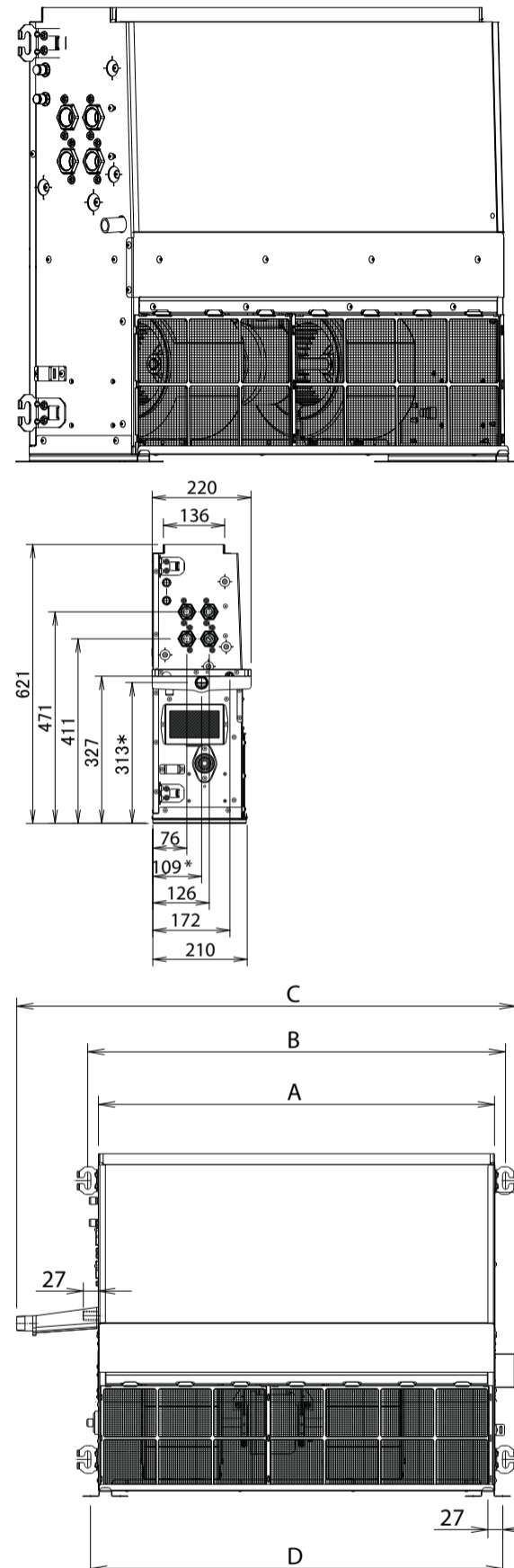
8.1 Dimensiones

Vista horizontal



Unidad: mm	A	B	C	D
FWE03~05	719	757	799	909
FWE06	919	957	999	1109
FWE07~11	1119	1157	1199	1309

Vista vertical



Unidad: mm	A	B	C	D
FWE03~05	719	757	909	747
FWE06	919	957	1109	947
FWE07~11	1119	1157	1309	1147

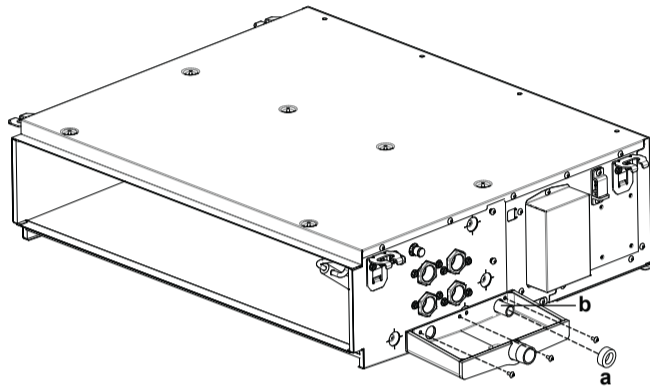
8 Datos técnicos

Bandeja de drenaje ajustable (horizontal)

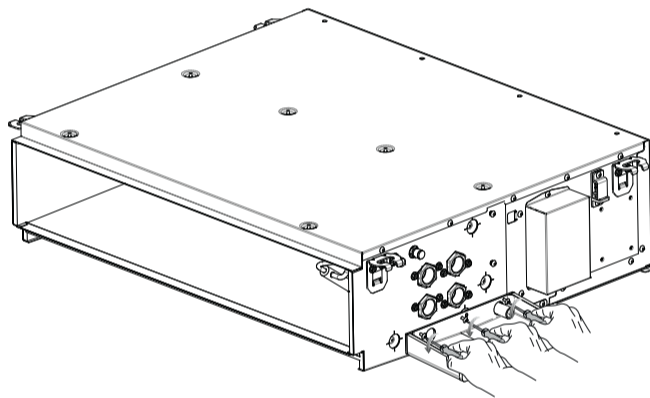


PRECAUCIÓN

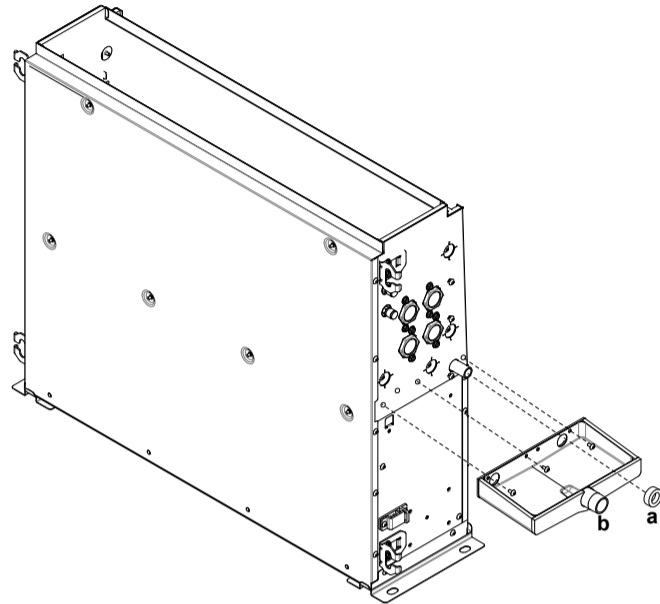
Asegúrese de colocar la goma de la toma de drenaje después de instalar la bandeja de drenaje adicional. Si no lo hace, la condensación en la unidad principal o las tuberías del agua, la suciedad en el filtro de aire o los atascos de drenaje pueden causar goteo, lo que provocaría acumulación de suciedad o fallos de funcionamiento del objeto en cuestión.



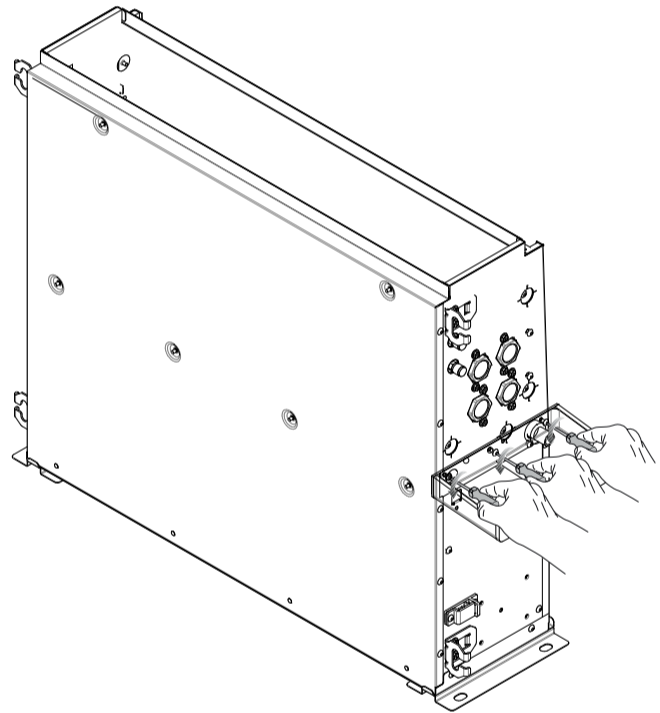
- a Goma de la toma de drenaje
- b Toma de drenaje adicional



Bandeja de drenaje ajustable (vertical)




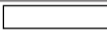



- a Goma de la toma de drenaje
- b Toma de drenaje adicional



8 Datos técnicos

8.2 Diagrama de cableado

En el terminal

Inglés	Traducción
	Conexión
X1M	Terminal principal
-----	Suministro de la vivienda
	Placa
	Toma de tierra
	Tierra
	Cable de la vivienda

Cable del motor del ventilador

WHT	Blanco
GRN	Verde
RED	Rojo
ORG	Naranja
BRN	Marrón
YLW	Amarillo
BLU	Azul
GRN/YLW	Verde/amarillo
C1	Condensador
F1U	Fusible
X1M	Regleta de terminales
M	Motor del ventilador

8.3 Requisitos informativos para diseño ecológico

Siga los siguientes pasos para consultar los datos sobre la etiqueta energética: Lot 21 de la unidad y las combinaciones entre unidades interiores y exteriores.

- 1 Abra la siguiente página web: <https://energylabel.daikin.eu/>
- 2 Para continuar, seleccione:
 - "Continue to Europe" (continuar para Europa) para el sitio web internacional.
 - "Other country" (otro país) para el sitio relacionado con el país.

Resultado: Será dirigido a la página web "Seasonal efficiency" (eficiencia estacional).
- 3 En "Eco Design – Ener LOT 21", haga clic en "Generate your data" (generar sus datos).

Resultado: Será dirigido a la página web "Seasonal efficiency" (LOT 21) (eficiencia estacional).
- 4 Siga las instrucciones que aparecen en la página web para seleccionar la unidad correcta.

Resultado: Cuando haya realizado la selección, podrá visualizar la hoja de datos LOT 21 en formato PDF o como página web HTML.



INFORMACIÓN

También se pueden consultar otros documentos (p. ej. manuales, ...) desde la página web.

Sommario

Sommario

1 Note relative alla documentazione	92
1.1 Informazioni su questo documento	92
1.2 Significato delle avvertenze e dei simboli	92
1.3 Generale	93
2 Informazioni relative all'involucro	93
2.1 Panoramica: operazioni sulla scatola di consegna	93
2.2 Disimballaggio e movimentazione del ventilconvettore	93
2.3 Rimozione degli accessori dal ventilconvettore	93
3 Informazioni sull'unità	93
3.1 Panoramica: note sulle unità ed opzioni	93
3.2 Identificazione	94
3.2.1 Etichetta di identificazione: Unità ventilconvettore	94
4 Preparazione	94
4.1 Panoramica: preparazione	94
4.2 Preparazione del luogo di installazione	94
4.3 Preparazione delle tubazioni idrauliche	95
4.4 Preparazione del cablaggio elettrico	95
4.4.1 Informazioni sulla preparazione del cablaggio elettrico	95
5 Installazione	96
5.1 Montaggio del ventilconvettore	96
5.1.1 Installazione orizzontale	96
5.1.2 Installazione verticale	97
5.2 Passaggio dall'installazione orizzontale a quella verticale	98
5.3 Collegamento della tubazione dell'acqua	98
5.3.1 Per collegare la tubazione dell'acqua	99
5.3.2 Riempimento del circuito idraulico	99
5.4 Collegamento dei fili elettrici	99
5.4.1 Note relative al collegamento del cablaggio elettrico ..	99
5.4.2 Linee guida da osservare quando si collega il cablaggio elettrico	99
5.4.3 Collegamento del cablaggio elettrico all'unità ventilconvettore	100
5.4.4 Modifica della direzione del cablaggio elettrico	100
5.5 Collegamento delle tubazioni di scarico	102
5.5.1 Collegamento delle tubazioni di scarico all'unità	102
5.5.2 Verifica delle tubazioni di scarico	103
6 Messa in funzione	103
6.1 Per eseguire una prova di funzionamento	103
6.2 Elenco di controllo prima della messa in esercizio	104
7 Manutenzione e assistenza	104
7.1 Pulizia del filtro dell'aria	104
8 Dati tecnici	106
8.1 Dimensioni	106
8.2 Schema dell'impianto elettrico	108
8.3 Requisiti di informazione per la progettazione ecocompatibile ..	109

1 Note relative alla documentazione

1.1 Informazioni su questo documento

Pubblico di destinazione

Installatori autorizzati

INFORMAZIONI

Quest'apparecchiatura è destinata ad essere utilizzata da utenti esperti o addestrati in officine, reparti dell'industria leggera e aziende agricole, oppure è destinata all'uso commerciale e domestico da parte di privati.

Serie di documentazioni

Questo documento fa parte di una serie di documentazioni. La serie completa è composta da:

Potrebbe essere disponibile una revisione più recente della documentazione fornita andando sul sito web regionale Daikin oppure chiedendo al proprio rivenditore.

La documentazione originale è scritta in inglese. La documentazione in tutte le altre lingue è stata tradotta.

• Manuale d'installazione dell'unità ventilconvettore:

- Istruzioni di installazione
- Formato: cartaceo (nella confezione dell'unità ventilconvettore)

1.2 Significato delle avvertenze e dei simboli



PERICOLO

Indica una situazione che provoca lesioni gravi o letali.



PERICOLO: RISCHIO DI SCOSSA ELETTRICA

Indica una situazione che potrebbe provocare la scossa elettrica.



PERICOLO: RISCHIO DI USTIONI

Indica una situazione che potrebbe provocare ustioni a causa delle temperature estremamente alte o basse.



PERICOLO: RISCHIO DI ESPLOSIONE

Indica una situazione che potrebbe dare luogo ad un'esplosione.



AVVERTENZA

Indica una situazione che potrebbe provocare lesioni gravi o letali.



AVVERTENZA: MATERIALE INFIAMMABILE



ATTENZIONE

Indica una situazione che potrebbe provocare lesioni secondarie o moderate.






NOTA

Indica una situazione che potrebbe provocare danni alle apparecchiature o alla proprietà.



INFORMAZIONI

Indica suggerimenti utili o informazioni aggiuntive.

Simbolo	Spiegazione
	Prima dell'installazione, leggere il manuale di installazione e d'uso e il foglio illustrativo del cablaggio.
	Prima di eseguire interventi di manutenzione e riparazione, leggere il manuale di manutenzione.
	Per ulteriori informazioni, consultare la guida di riferimento per l'installatore e l'utente.

1.3 Generale

In caso di dubbi su come installare o usare l'unità, contattare il rivenditore.



NOTA

L'installazione o il montaggio impropri dell'apparecchio o dei relativi accessori potrebbero dar luogo a folgorazioni, cortocircuiti, perdite, incendi oppure altri danni all'apparecchio. Utilizzare esclusivamente accessori, apparecchiature opzionali e ricambi approvati da Daikin.



AVVERTENZA

Assicurarsi che l'installazione, il collaudo e i materiali applicati siano conformi alla legislazione applicabile (oltre alle istruzioni descritte nella documentazione Daikin).



ATTENZIONE

Indossare un equipaggiamento personale di protezione adeguato (guanti di protezione, occhiali di sicurezza,...) durante i lavori di installazione, manutenzione o riparazione del sistema.



AVVERTENZA

Lacerare e gettare via i sacchetti degli imballaggi di plastica, in modo che nessuno, in particolare i bambini, li possa utilizzare per giocare. Rischio possibile: soffocamento.



AVVERTENZA

Prevedere misure adeguate per impedire che l'unità possa essere usata come riparo da piccoli animali. I piccoli animali che dovessero entrare in contatto con le parti elettriche possono causare malfunzionamenti, fumo o incendi.



ATTENZIONE

NON toccare la presa d'aria o le alette di alluminio dell'unità.



NOTA

- NON posizionare oggetti o apparecchiature sulla parte superiore dell'unità.
- NON sedersi, non arrampicarsi né sostare in piedi sopra l'unità.



PERICOLO: RISCHIO DI SCOSSA ELETTRICA

- Assicurarsi che il sistema sia messo a terra correttamente.
- Disattivare l'alimentazione prima di effettuare le operazioni di manutenzione.
- Installare il coperchio del quadro elettrico e prima di attivare l'alimentazione.



ATTENZIONE

- Controllare che il luogo di installazione possa sostenere il peso dell'unità. Un'installazione scadente è pericolosa. Può causare anche vibrazioni o rumore insolito durante il funzionamento.
- Fornire spazio di servizio sufficiente.
- NON installare l'unità a contatto con il soffitto o con una parete, n quanto ciò potrebbe causare vibrazioni.



PERICOLO: RISCHIO DI SCOSSA ELETTRICA

Non utilizzare i ventilconvettori con le mani bagnate. Potrebbero verificarsi folgorazioni.

2 Informazioni relative all'involucro

2 Informazioni relative all'involucro

2.1 Panoramica: operazioni sulla scatola di consegna

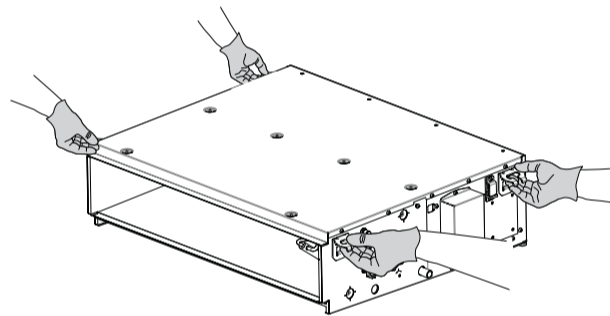
Tenere presente quanto segue:

- Alla consegna, l'unità DEVE essere controllata per verificare l'eventuale presenza di danni. Eventuali danni DEVONO essere segnalati immediatamente all'agente addetto ai reclami del trasportatore.
- Per evitare danni durante il trasporto, portare l'unità ancora imballata il più vicino possibile al luogo d'installazione definitivo.
- Preparare anticipatamente il percorso lungo il quale si intende trasportare l'unità.

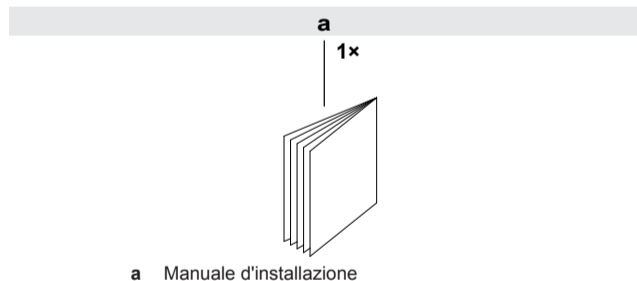
2.2 Disimballaggio e movimentazione del ventilconvettore

Sollevarre l'unità utilizzando un'imbracatura di materiale morbido o piastre di protezione insieme a una corda, al fine di evitare danni o graffi all'unità.

- 1 Sollevare l'unità agganciandola alle apposite staffe, senza esercitare alcuna pressione su altre parti, in particolare sulle tubazioni di scarico e sull'isolamento termico.



2.3 Rimozione degli accessori dal ventilconvettore



3 Informazioni sull'unità

3.1 Panoramica: note sulle unità ed opzioni

Le informazioni contenute in questo capitolo riguardano:

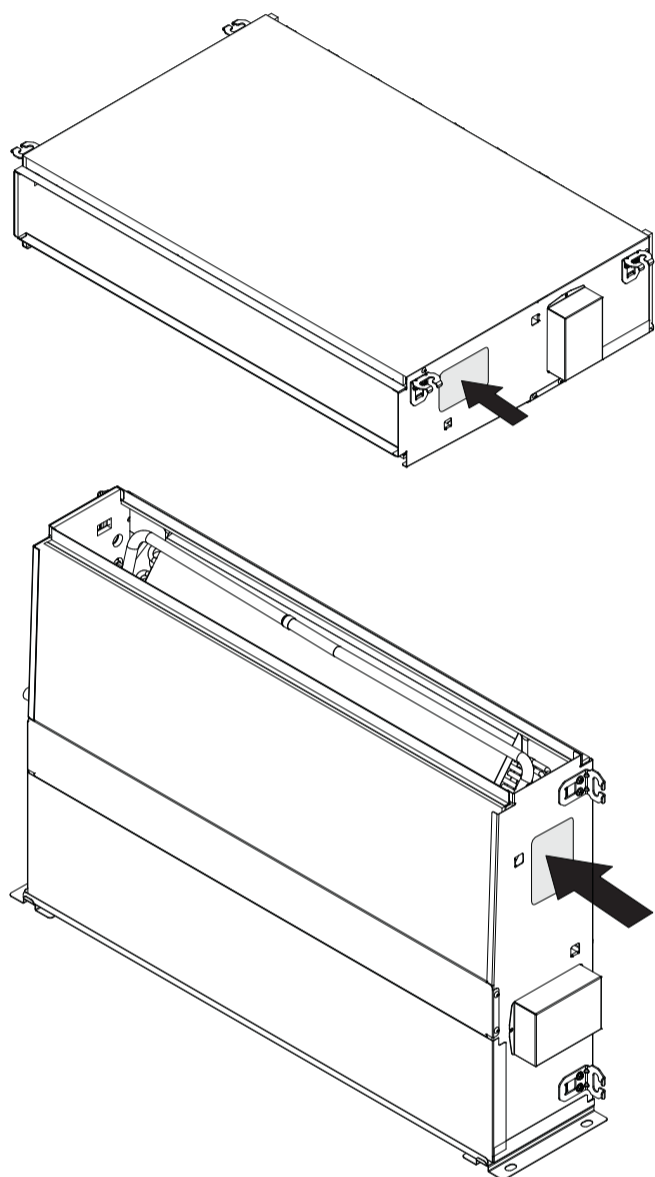
- Identificazione del ventilconvettore.

4 Preparazione

3.2 Identificazione

3.2.1 Etichetta di identificazione: Unità ventilconvettore

Ubicazione



Identificazione del modello

Esempio: FW E 03 D A F N 5 V3 — L

Codice	Descrizione
FW	Ventilconvettore ad acqua
E	Pressione statica bassa (LSP) senza involucro
03	Classe di capacità: 03=1,5 kW
D	Modifica primaria al modello (A-Z)
A	Modifica secondaria
F	4 tubi
N	Senza valvola
5	Fabbrica Hendek
V3	Motore della ventola / monofase / 50 Hz / 220~240 V
—	Nessuna opzione

Codice	Descrizione
L	S: Acqua sul lato sinistro – Collegamento elettrico sul lato sinistro L: Acqua sul lato sinistro – Collegamento elettrico sul lato destro T: Acqua sul lato destro – Collegamento elettrico sul lato destro R: Acqua sul lato destro – Collegamento elettrico sul lato sinistro

4 Preparazione

4.1 Panoramica: preparazione

In questo capitolo sono descritte le operazioni da eseguire e le informazioni da conoscere prima del trasferimento in sede.

Le informazioni disponibili riguardano:

- Preparazione del luogo di installazione
- Preparazione delle tubazioni idrauliche
- Preparazione del cablaggio elettrico

4.2 Preparazione del luogo di installazione



AVVERTENZA

NON collocare oggetti sotto all'unità poiché potrebbero bagnarsi. Oppure, può verificarsi un gocciolamento dovuto alla condensa nell'unità principale o nei tubi dell'acqua o all'ostruzione del filtro dell'aria o dello scarico, con conseguenti danni all'oggetto interessato.



NOTA

Per assicurarsi di non superare la pressione statica esterna dell'unità, rivolgersi al rivenditore.

Non installare o far funzionare l'apparecchio nei luoghi indicati di seguito.

- Luoghi in cui siano presenti petrolio o vapori d'olio o aerosol di varia natura, come per esempio le cucine (potrebbero deteriorarsi le parti in plastica).
- Luoghi in cui si trovano gas corrosivi, come i gas sulfurei, poiché le tubazioni in rame e i punti ottonati possono corrodarsi.
- Luoghi in cui l'aria è fortemente salina, ad esempio in prossimità di mari e oceani, e luoghi dove la tensione di linea è soggetta a grandi fluttuazioni (in prossimità delle fabbriche). Inoltre, l'apparecchio non deve essere installato su veicoli o natanti.
- In presenza di macchine che emettono onde elettromagnetiche. Le onde elettromagnetiche potrebbero disturbare il sistema di controllo e causare un difetto dell'apparecchiatura.
- In luoghi in cui esiste il rischio d'incendio dovuto alla perdita di gas infiammabili (esempio: diluenti o benzina), fibre di carbonio, polvere incendiabile.

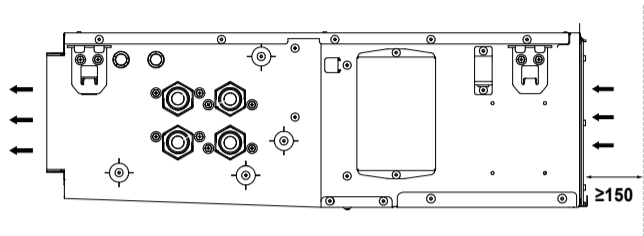
La posizione d'installazione deve essere approvata dal cliente e soddisfare le condizioni indicate di seguito.

Lo spazio attorno all'unità deve essere adeguato per la manutenzione e la riparazione. Lo spazio attorno all'unità deve consentire una circolazione e distribuzione sufficiente dell'aria, vedere la sezione relativa agli spazi necessari per l'installazione.

Installazione orizzontale

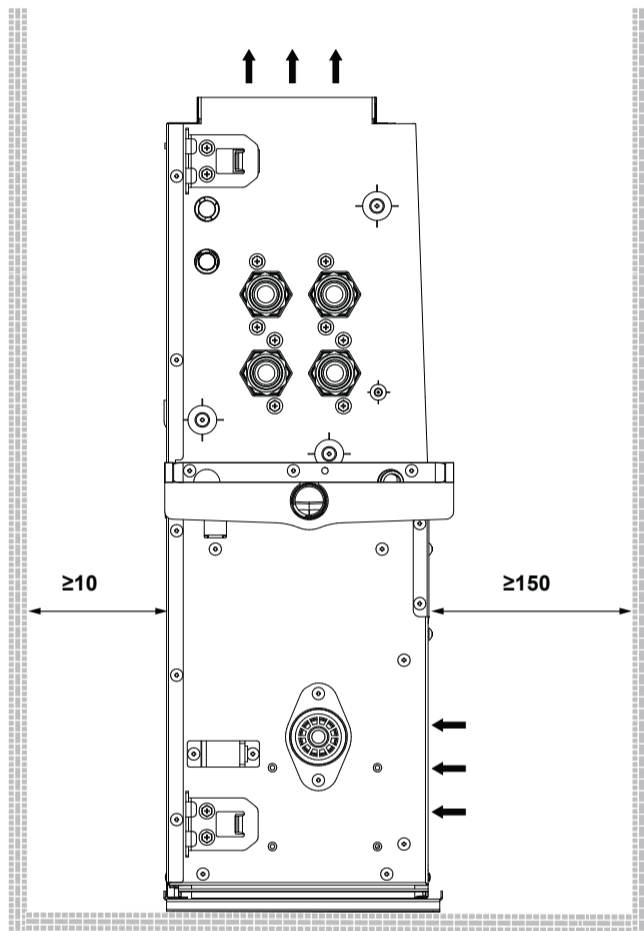
Se posizionata sul soffitto, l'unità deve essere installata a una distanza $\geq 2,5$ m dal pavimento.

4 Preparazione



Installazione verticale

Considerare uno spazio di manutenzione verticale del filtro come riportato di seguito.



ATTENZIONE

Per l'installazione verticale, non utilizzare bulloni di sospensione. L'installazione verticale deve essere eseguita con il kit di installazione verticale (ESFH01DS).

4.3 Preparazione delle tubazioni idrauliche

L'unità è dotata di un'entrata e un'uscita per l'acqua, per il collegamento al circuito idraulico. Il circuito idraulico deve essere realizzato da un installatore e deve essere conforme alla legislazione applicabile.



NOTA

L'unità deve essere utilizzata solo in un sistema idraulico chiuso. L'utilizzo in un circuito idraulico aperto può comportare una corrosione eccessiva delle tubazioni idrauliche.

Prima di realizzare la tubazione dell'acqua, controllare i punti seguenti:

- La pressione massima dell'acqua è 1 MPa.
- La temperatura minima dell'acqua è 5°C.
- La temperatura massima dell'acqua è 90°C.
- Assicurarsi di installare nella tubazione realizzata in loco dei componenti in grado di sopportare la pressione e la temperatura dell'acqua.
- Prevedere dispositivi di sicurezza adeguati nel circuito idraulico, per garantire che la pressione dell'acqua non superi mai la pressione di esercizio massima consentita.
- Predisporre un drenaggio adeguato per la valvola di sicurezza (se installata), per evitare che l'acqua possa entrare in contatto con le parti elettriche.
- Dotare l'unità di valvole di intercettazione per poter eseguire i normali interventi di riparazione senza dover svuotare il sistema.
- Installare dei rubinetti di scarico nei punti più bassi del sistema, per consentire lo svuotamento completo del circuito durante la manutenzione o la riparazione dell'unità.
- Installare valvole di spurgo dell'aria in tutti i punti più alti del sistema. Le valvole devono essere situate in punti facilmente accessibili per la riparazione.

4.4 Preparazione del cablaggio elettrico

4.4.1 Informazioni sulla preparazione del cablaggio elettrico



AVVERTENZA

- Utilizzare SOLO fili di rame.
- Assicurarsi i collegamenti da effettuarsi in loco siano conformi alla legislazione applicabile.
- Tutti i collegamenti in loco DEVONO essere eseguiti in conformità allo schema dell'impianto elettrico fornito con il prodotto.
- Non stringere MAI assieme i fasci di cavi e assicurarsi che NON entrino in contatto con tubazioni e bordi taglienti. Assicurarsi che sui collegamenti dei morsetti non gravi alcuna pressione esterna.
- Assicurarsi di installare il cablaggio di terra. NON effettuare la messa a terra dell'unità tramite tubi accessori, assorbitori di sovratensione o la messa a terra del telefono. Una messa a terra incompleta può provocare scosse elettriche.
- Accertarsi che venga usato un circuito di alimentazione dedicato. NON utilizzare mai una fonte di alimentazione alla quale sono collegate anche altre utenze.
- Accertarsi di installare i fusibili o gli interruttori di circuito richiesti.
- Non dimenticare di installare un interruttore di dispersione a terra. Il mancato rispetto di questa precauzione può causare scosse elettriche o incendi.
- Durante l'installazione del differenziale di terra, accertarsi che sia compatibile con l'inverter (resistente ai disturbi elettrici ad alta frequenza) per evitare inutili aperture del differenziale di terra.

5 Installazione

! NOTA

L'apparecchiatura descritta nel presente manuale potrebbe causare disturbi elettromagnetici generati dall'energia a radio frequenza. L'apparecchiatura è conforme alle specifiche concepite per garantire una protezione ragionevole contro tale interferenza. Ciononostante, non esistono garanzie che escludano tale interferenza in una particolare installazione.

Si consiglia pertanto di installare l'apparecchiatura e i cavi elettrici assicurando una distanza adeguata dalle apparecchiature stereo, dai personal computer, ecc.

! AVVERTENZA

Tutti i collegamenti in loco e i componenti DEVONO essere installati da un elettricista qualificato e DEVONO essere conformi alle normative vigenti.

! PERICOLO: RISCHIO DI SCOSSA ELETTRICA

! AVVERTENZA

In conformità alla legislazione applicabile, i cavi fissi DEVONO essere dotati di un interruttore generale o comunque di altri dispositivi per lo scollegamento che dispongano della separazione dei contatti in tutti i poli.

Caratteristiche elettriche

	FWE-D
Fase	1N~
Frequenza	50 Hz
Range di tensioni	220~240 V
Tolleranza sulla tensione	±10%
Corrente di esercizio massima	0,46 A
Fusibile di sovracorrente	16 A

Specifiche per i collegamenti elettrici in loco

	Cavo	Dimensione (mm ²)	Lunghezza
Cablaggio di alimentazione	H05VV-U3G ^{(a)(b)}	Secondo la legislazione applicabile ≤ 4,0	—
Cablaggio del comando a distanza e di trasmissione dell'unità	Filo protetto da guaina a 2 conduttori ^(c)	0,75~1,25	≤500 m ^(d)

^(a) Solo in caso di tubazioni protette. In assenza di protezione, utilizzare H07RN-F.

^(b) Fare correre il cablaggio elettrico attraverso una canalina per proteggerlo dalle sollecitazioni esterne.

^(c) Utilizzare un cavo a doppio isolamento per il telecomando (spessore guaina: ≥ 1 mm) oppure far passare i cavi dietro una parete o in una canalina, per evitare che l'utilizzatore vi entri in contatto.

^(d) Questo valore rappresenta la lunghezza totale in un sistema dotato di controllo del gruppo.

5 Installazione

5.1 Montaggio del ventilconvettore

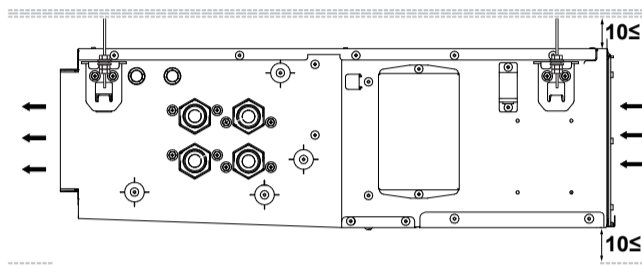
i INFORMAZIONI

Lo spazio tra il soffitto e l'unità deve essere ≥ 10 mm e lo spazio di aspirazione deve essere ≥ 150 mm.

i INFORMAZIONI

Tutte le parti sopra indicate sono da reperire in loco. Per eseguire installazioni diverse da quella standard, contattare il rivenditore di zona per ricevere assistenza.

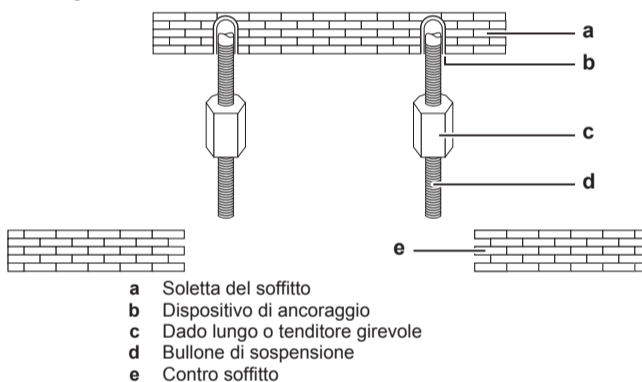
5.1.1 Installazione orizzontale



- 1 Sul soffitto, realizzare l'apertura necessaria per l'installazione in una posizione idonea.

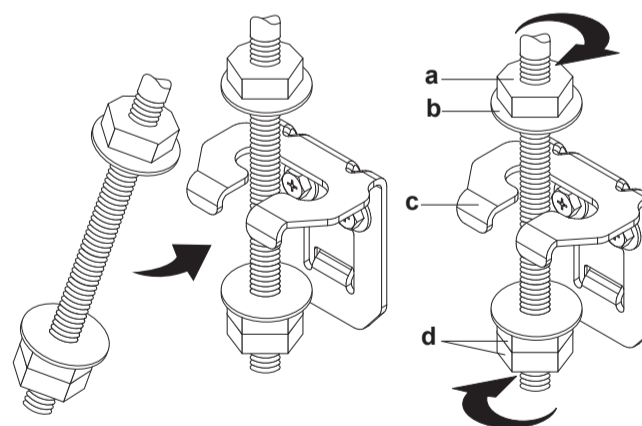
Potrebbe essere necessario rinforzare l'intelaiatura del controsoffitto per mantenere il soffitto in piano ed evitare che possa vibrare. Per ulteriori ragguagli, consultare il costruttore.

- 2 Installare i bulloni di sospensione. Utilizzare bulloni W3/8 o M10. Usare tasselli ad espansione per i soffitti esistenti, mentre per i nuovi soffitti utilizzare tasselli incassati, dispositivi di ancoraggio incassati o altri componenti non forniti a corredo, per rinforzare il soffitto affinché possa sopportare il peso dell'unità. Fare riferimento a tale sagoma per individuare i punti che devono essere rinforzati. Prima di proseguire, è necessario regolare la distanza dal soffitto.



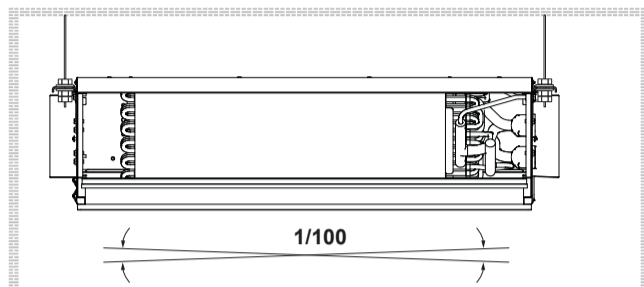
- 3 Installare provvisoriamente l'unità.

Montare la staffa di sostegno sul bullone di sospensione. Fissare saldamente l'unità.



- a Dado (da reperire in loco)
- b Rondella (da reperire in loco)
- c Staffa di sostegno
- d Dado doppio (da reperire in loco)

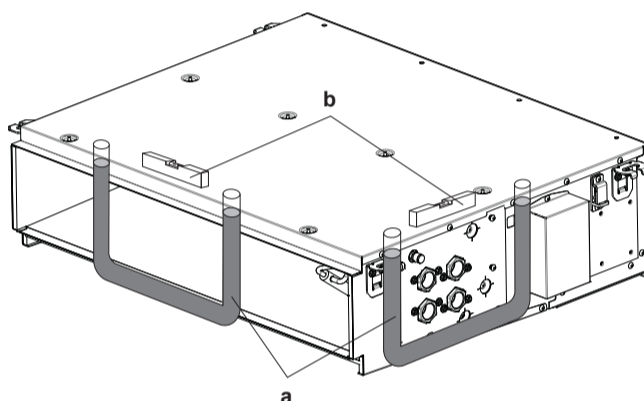
4 Regolare l'unità nella posizione d'installazione corretta.



5 Verificare che l'unità sia in bolla orizzontalmente.

Non installare l'unità in posizione inclinata. Se l'unità fosse inclinata in senso contrario rispetto alla direzione del flusso della condensa (con la tubazione di scarico sollevata), potrebbe verificarsi un gocciolamento d'acqua.

Controllare che l'unità sia in piano in corrispondenza di tutti e 4 gli angoli, utilizzando una livella o un tubo di plastica trasparente pieno d'acqua.



a Tubo di plastica
b Livello

5.1.2 Installazione verticale



NOTA

NON esercitare una forza eccessiva per collegare la tubazione. La deformazione della tubazione può provocare difetti all'unità. Accertarsi che la coppia di serraggio sia pari a 3 N m per tutte le viti.

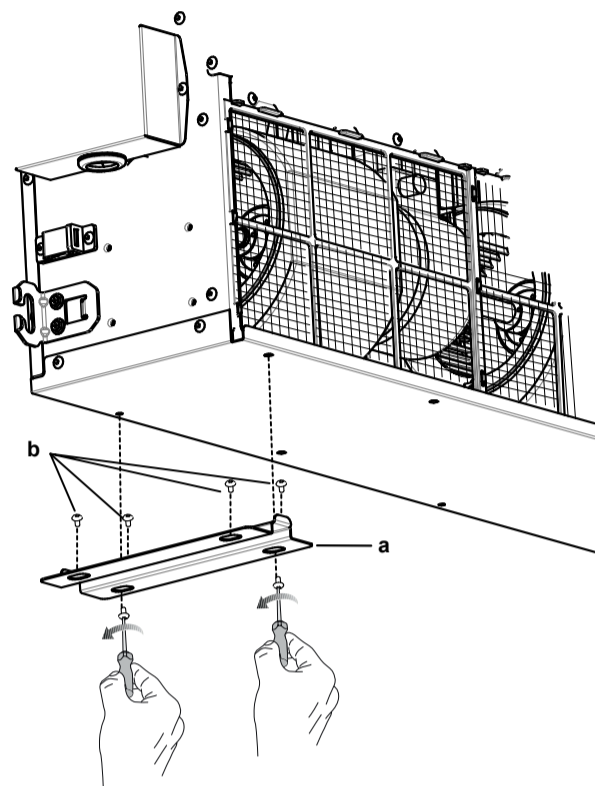


NOTA

Il kit opzionale per l'installazione verticale dell'unità (ESFH01DS) deve essere fornito da un rivenditore di zona.

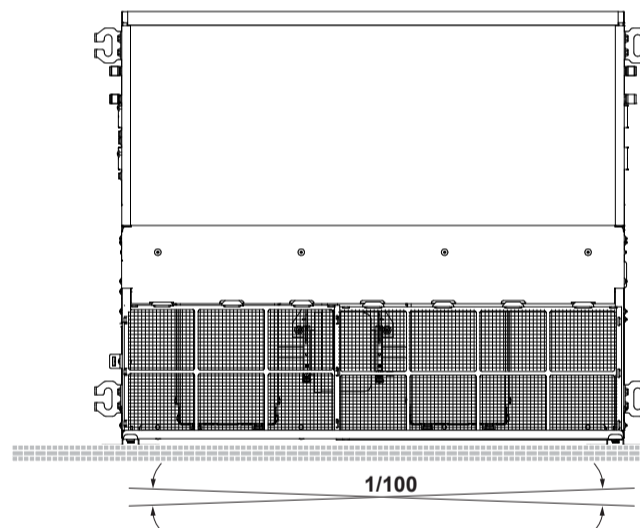
1 Installare provvisoriamente l'unità.

Installare l'unità sul pavimento utilizzando dei piedini. Accertarsi di posizionare saldamente l'unità sul pavimento. Se esiste la possibilità che l'unità cada, fissarla al pavimento stringendo le viti nei fori dei piedini di installazione.



a Piedino di installazione
b Vite di fissaggio

2 Regolare l'unità nella posizione corretta per l'installazione.



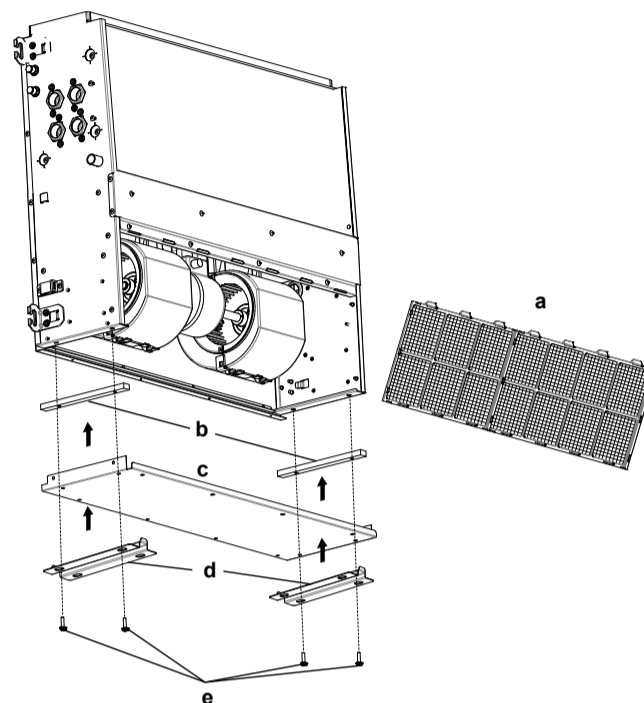
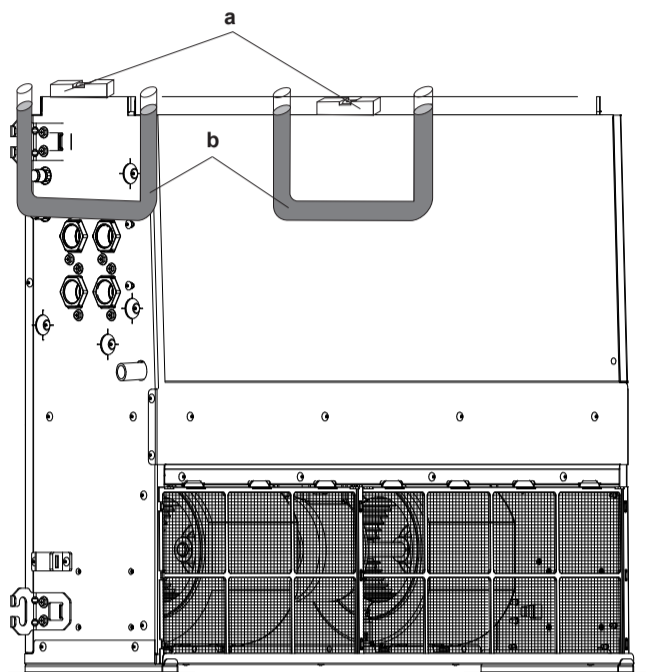
a Livello
b Tubo di plastica

3 Verificare che l'unità sia in bolla orizzontalmente.

Non installare l'unità in posizione inclinata. Se l'unità fosse inclinata in senso contrario rispetto alla direzione del flusso della condensa (con la tubazione di scarico sollevata), potrebbe verificarsi un gocciolamento d'acqua.

Controllare che l'unità sia in piano in corrispondenza di tutti e quattro gli angoli, utilizzando una livella o un tubo di plastica trasparente pieno d'acqua.

5 Installazione



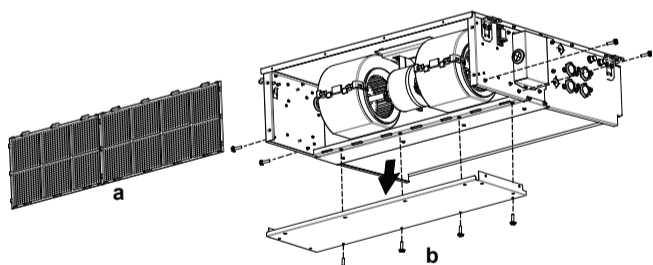
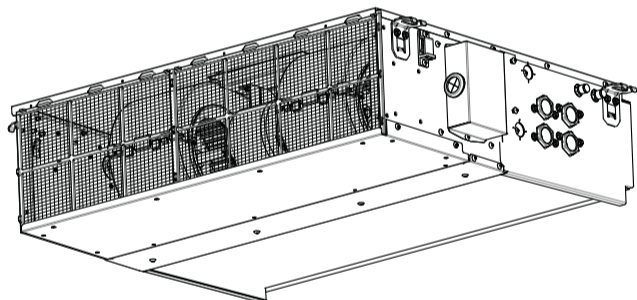
5.2 Passaggio dall'installazione orizzontale a quella verticale

⚠ ATTENZIONE

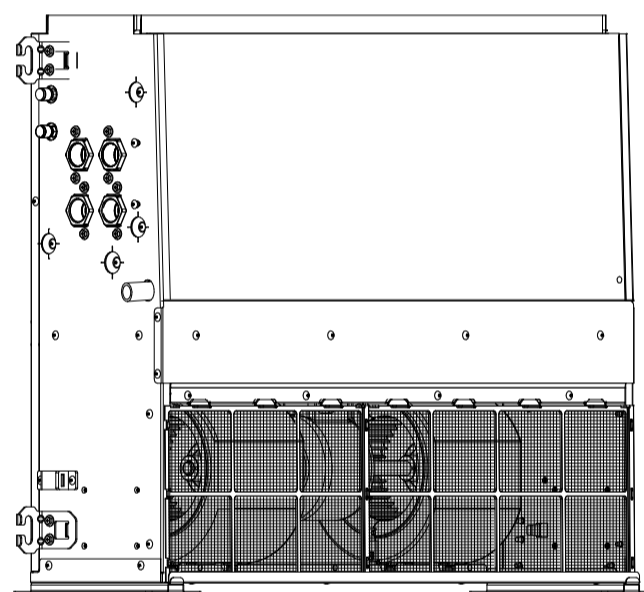
Assicurarsi che l'unità sia a livello in tutte le direzioni.

Per passare dall'installazione orizzontale a quella verticale, attenersi alle istruzioni riportate di seguito.

- 1 Rimuovere il filtro dell'aria.
- 2 Allentare le viti del coperchio di servizio e rimuoverlo dall'unità.



- 3 Inserire il supporto di gomma (incluso nel kit opzionale) nello spazio libero tra la piastra laterale e le flange inferiori.
- 4 Rimontare il coperchio di servizio sul lato inferiore.
- 5 Montare 2 piedini del kit opzionale per l'installazione verticale sul coperchio di servizio, utilizzando le 4 viti incluse nel kit opzionale.
- 6 Rimontare il filtro dell'aria sulla relativa guida presente sul coperchio di servizio.
- 7 L'unità è pronta per l'installazione verticale.



- a Filtro dell'aria
- b Coperchio di servizio
- c Piedini di installazione
- d Viti
- e Filtro dell'aria

5.3 Collegamento della tubazione dell'acqua

⚠ NOTA

Non esercitare una forza eccessiva per collegare la tubazione. In caso contrario, la tubazione dell'unità si potrebbe deformare. La deformazione delle tubazioni può causare il malfunzionamento dell'unità.

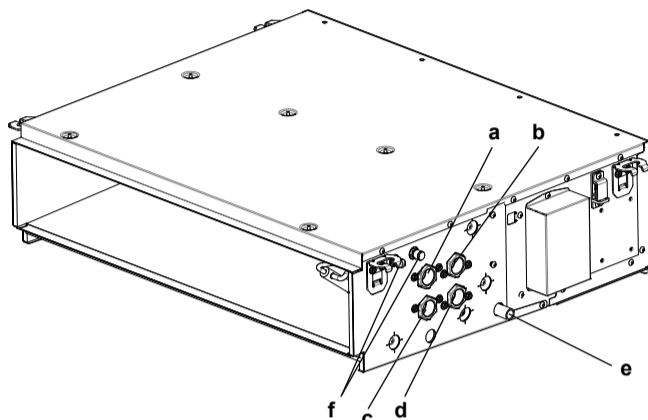
⚠ ATTENZIONE

È sempre necessario utilizzare delle valvole per controllare la circolazione dell'acqua all'interno dell'unità. Tali valvole devono essere di tipo NC (normalmente chiuso), in modo tale che siano chiuse quando l'unità non è in funzione. Ciò consente di impedire la formazione di condensa.

5 Installazione

5.3.1 Per collegare la tubazione dell'acqua

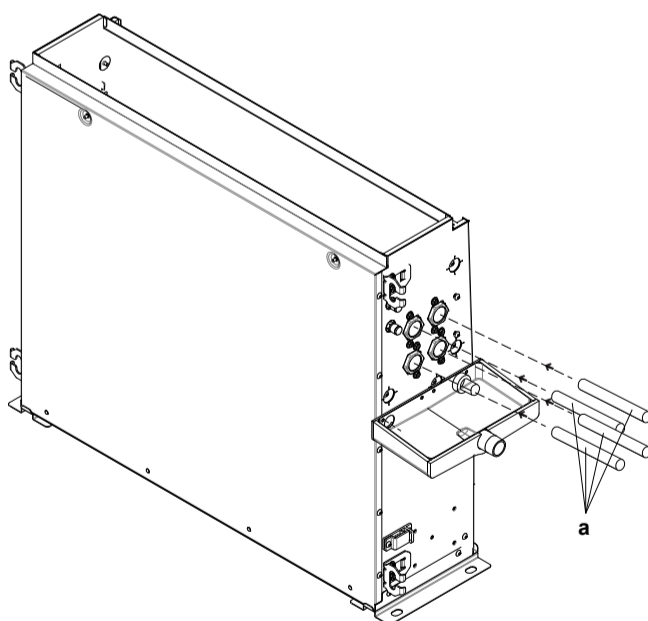
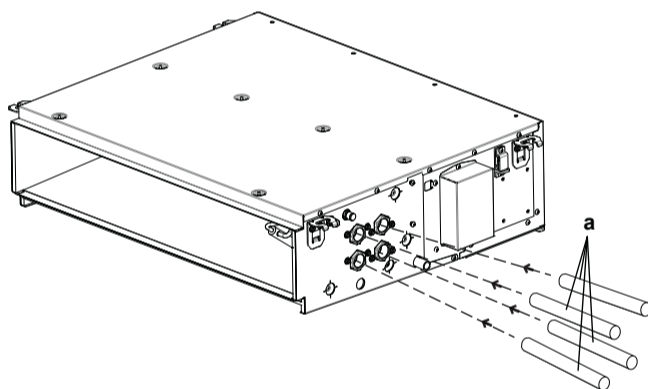
- 1 Collegare i raccordi di entrata e uscita dell'acqua del ventilconvettore alla tubazione dell'acqua.



- a Collegamento del tubo di scarico (3/4" maschio)
- b Entrata dell'acqua fredda (3/4" femmina BSP)
- c Uscita dell'acqua fredda (3/4" femmina BSP)
- d Entrata dell'acqua calda (3/4" femmina BSP)
- e Uscita dell'acqua calda (3/4" femmina BSP)
- f Valvola di spurgo aria
- g Valvola di spurgo aria

Osservazione: In caso di collegamento diretto all'unità, utilizzare un tubo a 3/4" maschio BSP.

- 2 L'intero circuito idraulico, comprese tutte le tubazioni, deve essere isolato per prevenire la formazione di condensa e una riduzione della capacità.



a Tubo di collegamento

5.3.2 Riempimento del circuito idraulico



NOTA

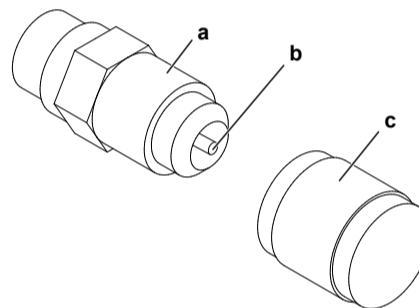
Assicurarsi che la qualità dell'acqua sia conforme alla direttiva UE 98/83 EC.



NOTA

- La presenza di aria all'interno del circuito idraulico può causare un malfunzionamento. Durante il riempimento, potrebbe non essere possibile rimuovere tutta l'aria dal circuito. L'aria rimanente fuoriuscirà dalle valvole di spurgo aria automatiche durante le prime ore di funzionamento del sistema. In seguito potrebbe essere necessario rabboccare l'acqua.
- Per spurgare il sistema, usare la funzione speciale descritta in "6 Messa in esercizio" a pagina 103.

- 1 Aprire il tappo.
- 2 Premere la valvola di sicurezza per fare uscire l'aria dai circuiti idraulici dell'unità.
- 3 Chiudere il tappo.
- 4 Successivamente, potrebbe essere necessario eseguire un rabbocco (ma mai attraverso la valvola di spurgo aria).



- a Spurgo aria
- b Valvola di sicurezza
- c Tappo

5.4 Collegamento dei fili elettrici

5.4.1 Note relative al collegamento del cablaggio elettrico

Flusso di lavoro tipico

Il collegamento dell'impianto elettrico si articola tipicamente nelle fasi seguenti:

- 1 Verifica della conformità dell'alimentazione alle specifiche elettriche delle unità.
- 2 Collegamento del cablaggio elettrico all'unità ventilconvettore.
- 3 Modifica della direzione del cablaggio elettrico (se applicabile).

5.4.2 Linee guida da osservare quando si collega il cablaggio elettrico

Al momento di collegare fili della stessa sezione, eseguire l'operazione in base alla figura sotto.



Al momento di collegare il cablaggio elettrico, osservare le note menzionate sotto.

- Non collegare cavi di diversa sezione allo stesso morsetto di alimentazione. Un collegamento allentato può causare un surriscaldamento.

5 Installazione

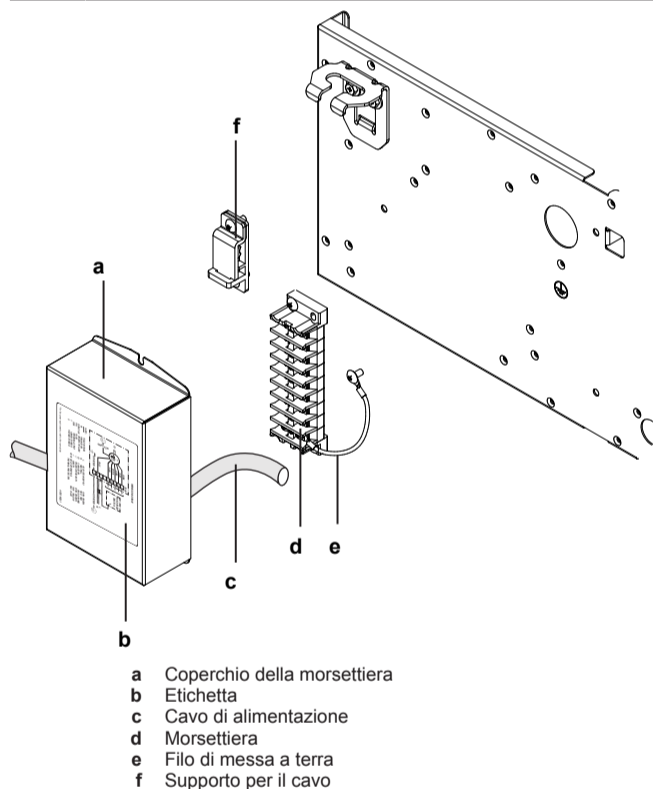
- Non collegare cavi di diversa sezione allo stesso morsetto di terra. Un collegamento allentato può diminuire la protezione.
- Utilizzare il filo elettrico specificato (consultare la sezione "Specifiche per i collegamenti elettrici in loco" a pagina 96). Collegare saldamente il filo al morsetto. Usare la coppia di serraggio appropriata (N·m).
- Coppia di serraggio della morsettiera di alimentazione: 1,44~1,88 N·m.
- Tenere in ordine il cablaggio, in modo tale che i fili non ostruiscano altre apparecchiature o causino l'apertura del coperchio della morsettiera. Accertarsi che quest'ultimo si chiuda saldamente. Un collegamento incompleto potrebbe causare surriscaldamenti e, nei casi peggiori, folgorazioni o incendi.

5.4.3 Collegamento del cablaggio elettrico all'unità ventilconvettore

Fare riferimento all'etichetta dello schema elettrico apposta sul coperchio della morsettiera.

! NOTA

- Attenersi allo schema dell'impianto elettrico (fornito con l'unità e posto sul coperchio del quadro elettrico).
- Assicurarsi che i collegamenti elettrici NON ostacolino la corretta riapplicazione del coperchio di servizio.



- 1 Rimuovere dall'unità il coperchio della morsettiera e il supporto del cavo.
- 2 Collegare il cavo di alimentazione alla morsettiera.
- 3 Fissare il cavo di alimentazione con il supporto.
- 4 Rimontare il coperchio della morsettiera all'unità.

5.4.4 Modifica della direzione del cablaggio elettrico

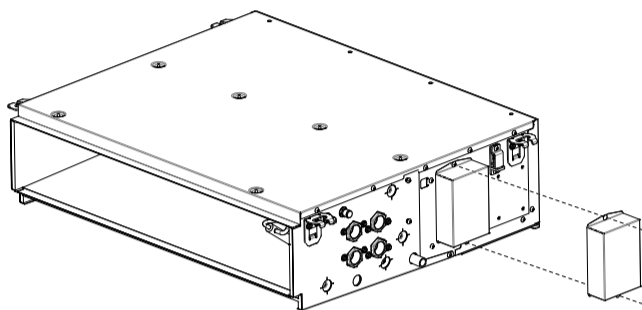
! NOTA

È possibile modificare la direzione del cablaggio elettrico direttamente in loco.

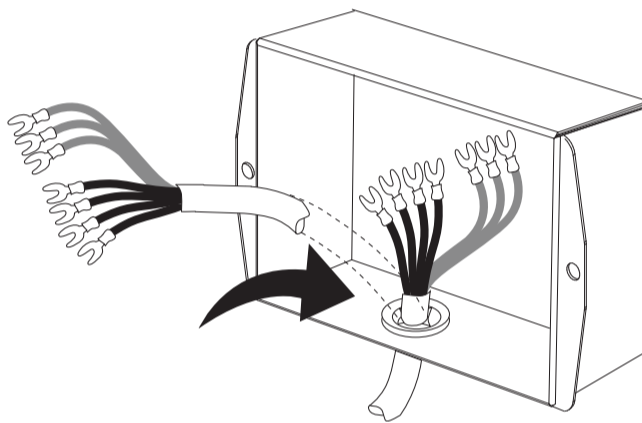
! NOTA

Durante il montaggio del coperchio della morsettiera, prestare attenzione a non pizzicare alcun filo.

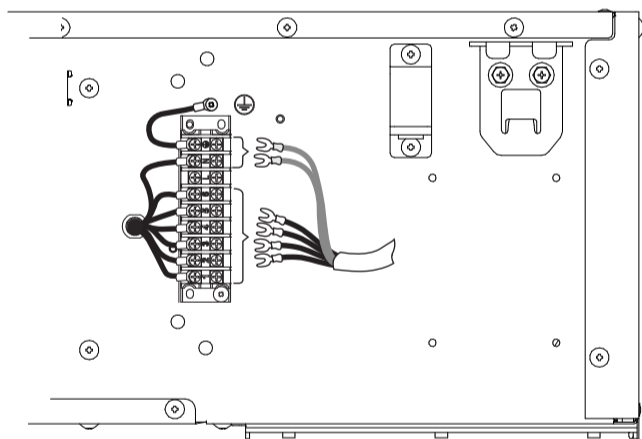
- 1 Rimuovere il coperchio della morsettiera, la morsettiera, il supporto del cavo, il cavo della messa a terra e i cavi del motore della ventola.



- 2 Separare i cavi della ventola dai relativi supporti.

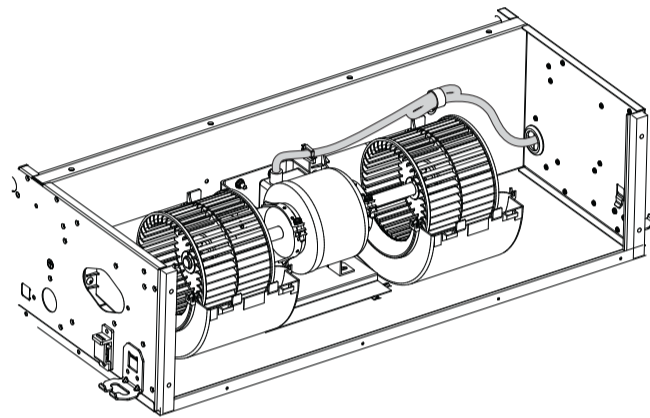
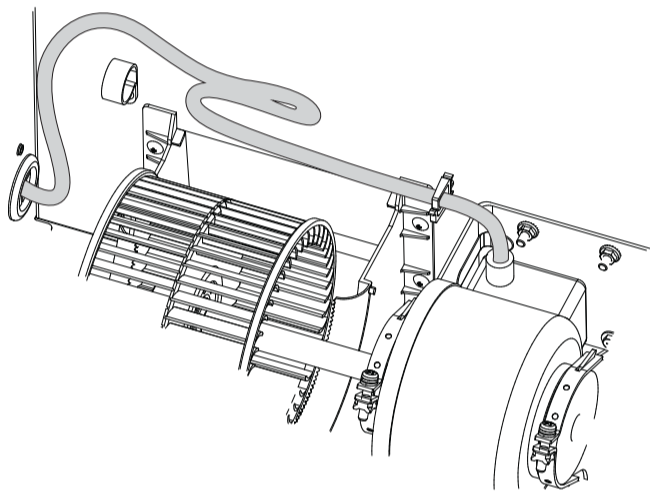
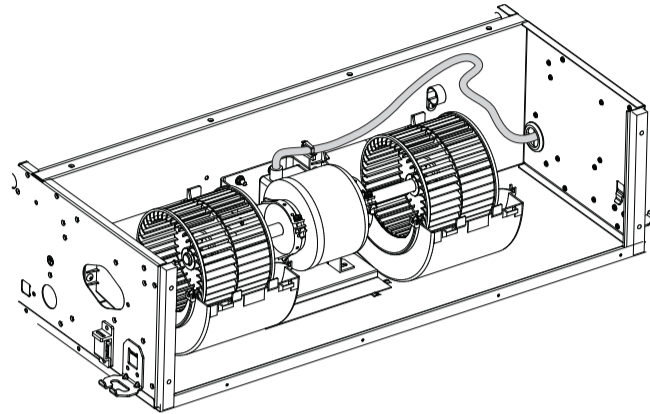
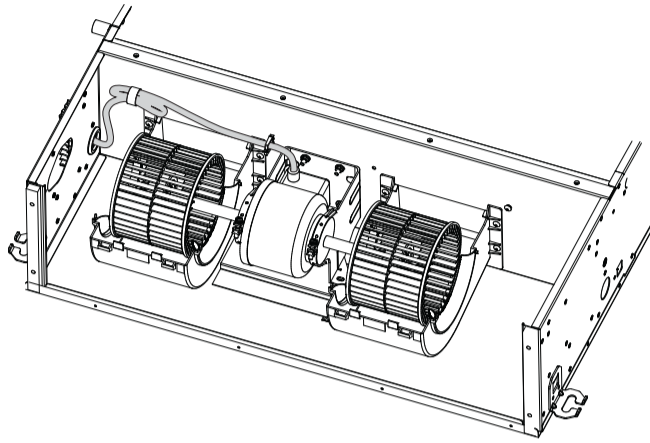


- 3 Modificare la direzione dei cavi del motore della ventola.

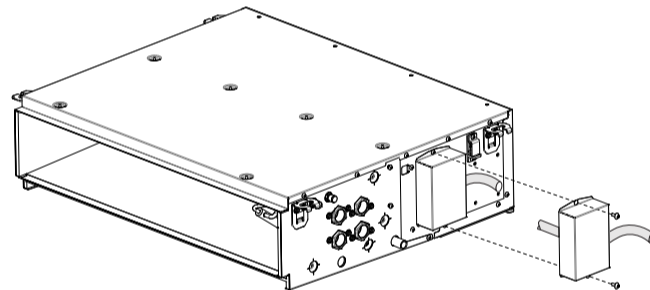
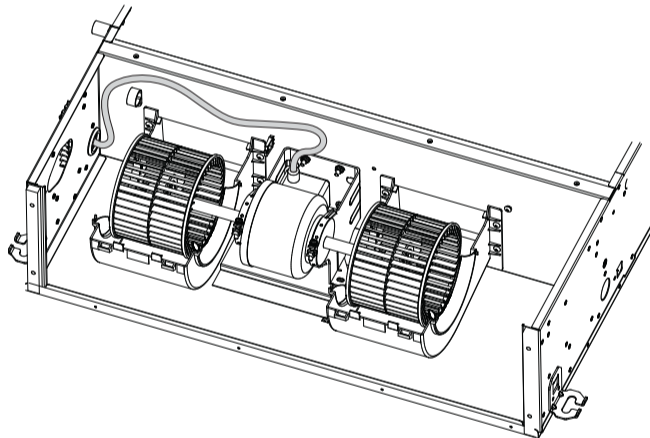


- 4 Fissare i cavi al divisorio. Assicurarsi che i cavi inutilizzati siano fissati saldamente con un serracavo nella nuova posizione.

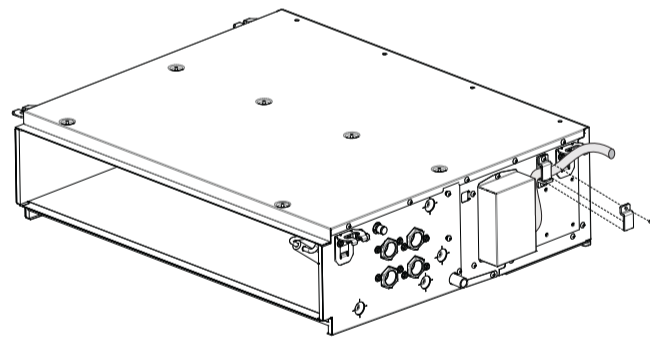
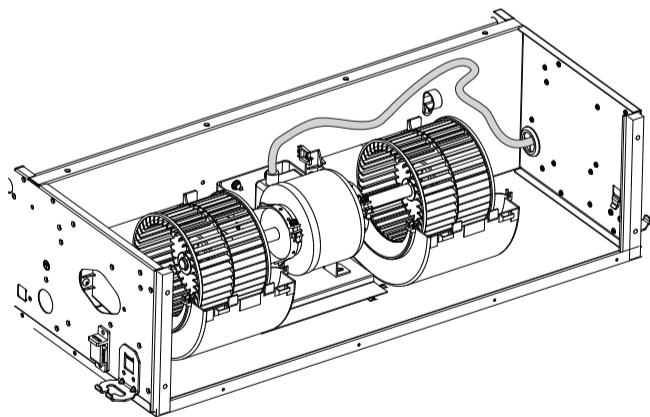
5 Installazione



5 Fissare le parti rimosse all'unità.



6 Installare il supporto del cavo rimosso per fissare il cavo.

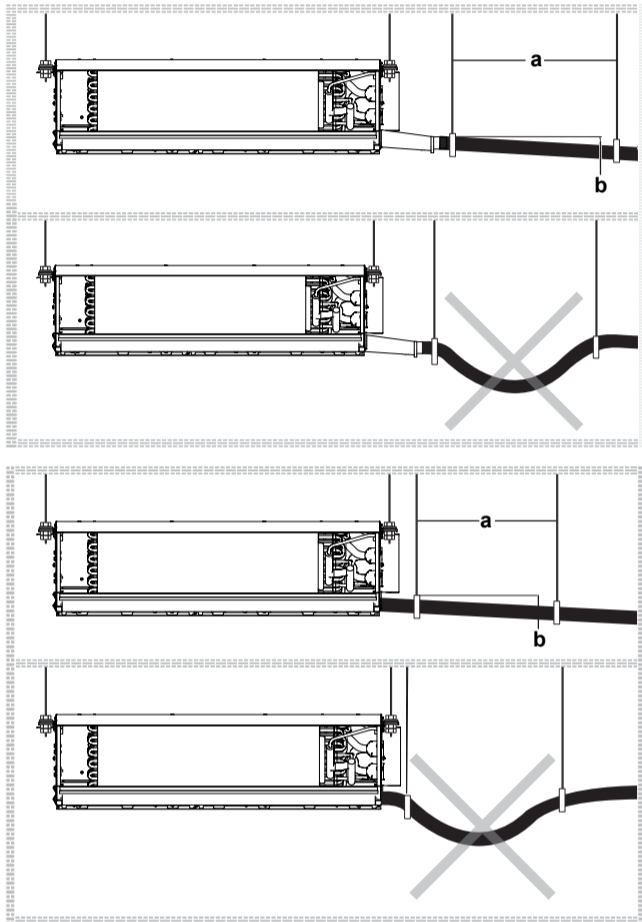


5 Installazione

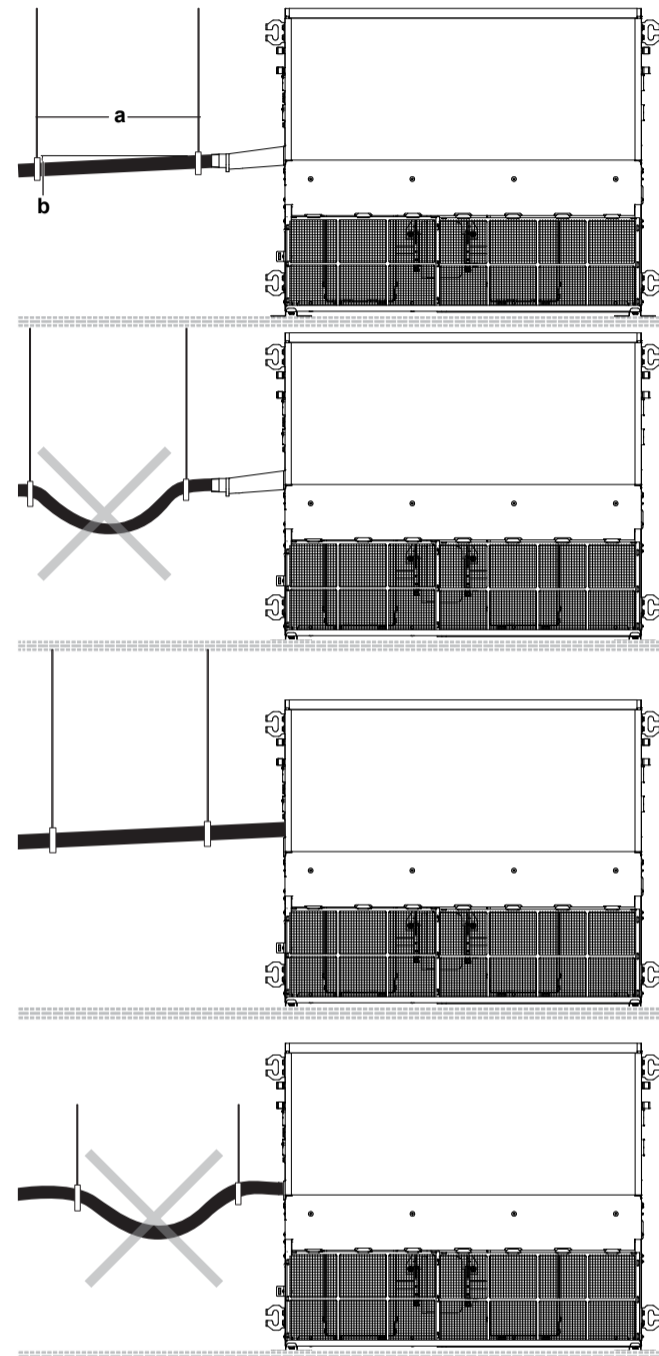
5.5 Collegamento delle tubazioni di scarico

5.5.1 Collegamento delle tubazioni di scarico all'unità

Installazione orizzontale



Installazione verticale



- a Barra di sostegno
- b Gradiente $\geq 1/100$

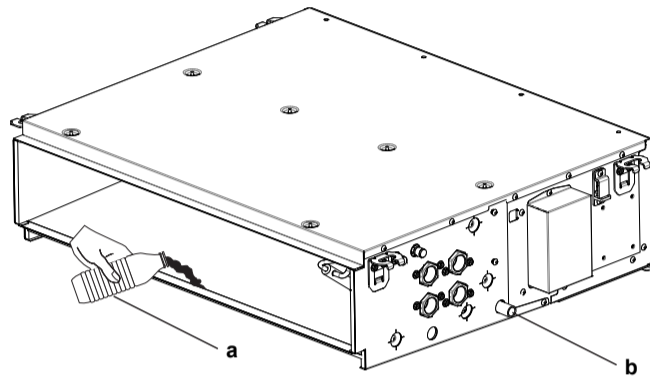
Tenere la tubazione più corta possibile e inclinarla verso il basso con un gradiente di almeno 1/100, in modo che l'aria non rimanga intrappolata al suo interno.

6 Messa in funzione

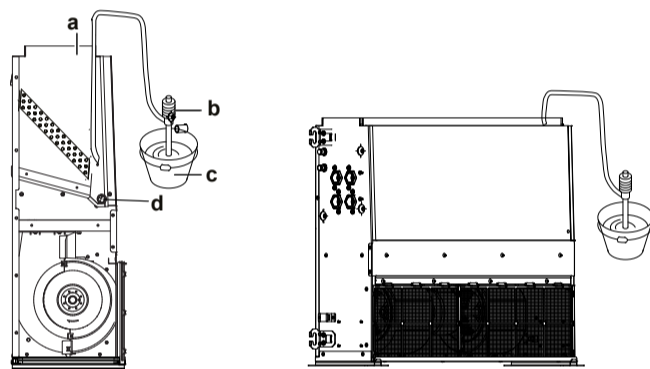
5.5.2 Verifica delle tubazioni di scarico

Una volta terminata la posa della tubazione di scarico, controllare che lo scarico defluisca in modo scorrevole.

- 1 Aggiungere gradualmente circa 1 litro d'acqua utilizzando l'uscita dell'aria.



- a Bottiglia di plastica per l'aggiunta di acqua
b Presa di drenaggio



- a Uscita dell'aria
b Pompa portatile
c Secchio
d Presa di drenaggio

- 2 Controllare il flusso di scarico e verificare l'operazione di drenaggio osservando la relativa presa.

6 Messa in funzione

Vi invitiamo a fornire al cliente i dati di progettazione ecocompatibile in base al regolamento (UE) 2016/2281. Questi dati si trovano nella guida di riferimento per l'installatore oppure sul sito web Daikin.

! NOTA

Usare SEMPRE l'unità con termistori e/o sensori/interruttori di pressione. In caso CONTRARIO, il compressore potrebbe bruciare.

6.1 Per eseguire una prova di funzionamento

Dopo l'installazione, l'installatore è tenuto a verificarne il corretto funzionamento. Se si rileva un problema nell'unità e quest'ultima non funziona, contattare il rivenditore di zona.

! NOTA

Non interrompere la prova di funzionamento.

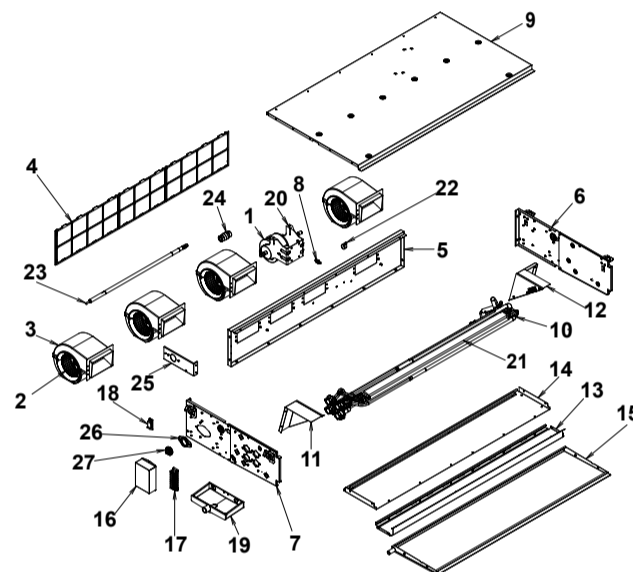
! NOTA

NON cercare di smontare il sistema da soli: lo smontaggio del sistema, nonché il trattamento del refrigerante, dell'olio e di qualsiasi altra parte, DEVONO essere eseguiti in conformità alla legislazione applicabile. Le unità DEVONO essere trattate presso una struttura specializzata per il riutilizzo, il riciclaggio e il recupero dei materiali.

! AVVERTENZA

Prevedere misure adeguate per impedire che l'unità possa essere usata come riparo da piccoli animali. I piccoli animali che dovessero entrare in contatto con le parti elettriche possono causare malfunzionamenti, fumo o incendi.

Utilizzare uno strumento adeguato per smontare le viti. Il prodotto può essere smontato come mostrato sotto.



Elenco istruzioni di riciclaggio FWE-D

Materiali	Elemento
Componente elettrico (motore ventola + condensatore)	1
Alluminio (aletta) + rame (tubo) + acciaio zincato (piastra) + ottone	10
Plastica	2, 18, 8, 22, 27
Plastica + metallo	3, 17, 24
Plastica (telaio) + plastica (rete)	4
Acciaio zincato	5, 9, 13, 14, 16, 20, 23, 25, 26
Acciaio zincato + schiuma plastica	6, 7, 11, 12, 15, 19
Schiuma plastica	21

7 Manutenzione e assistenza

6.2 Elenco di controllo prima della messa in esercizio

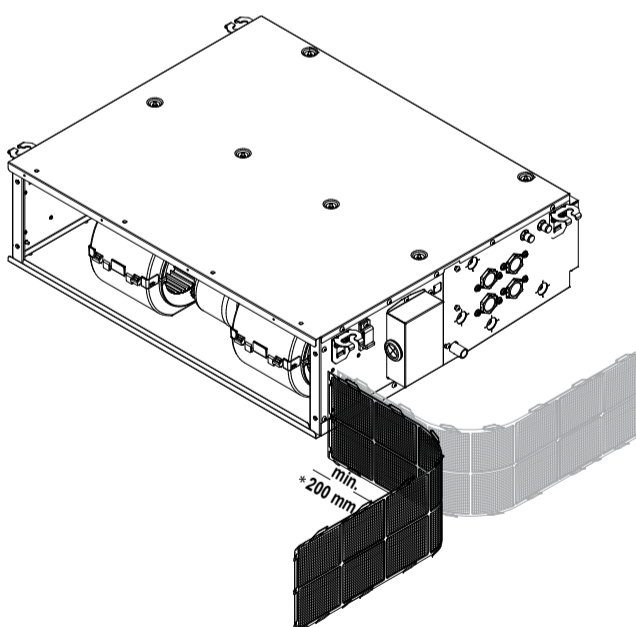
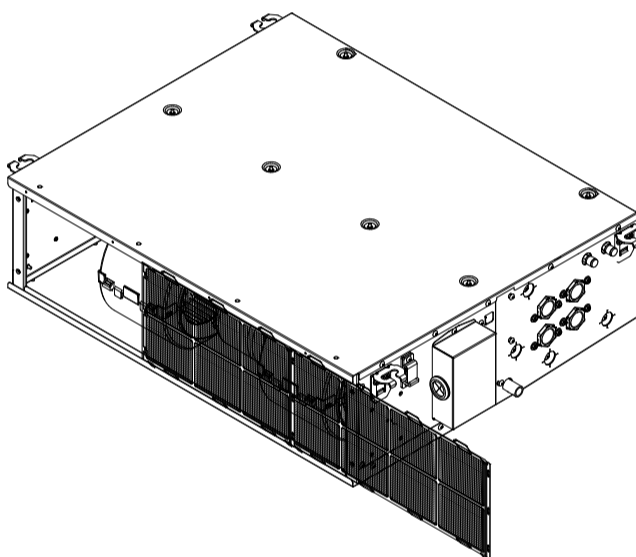
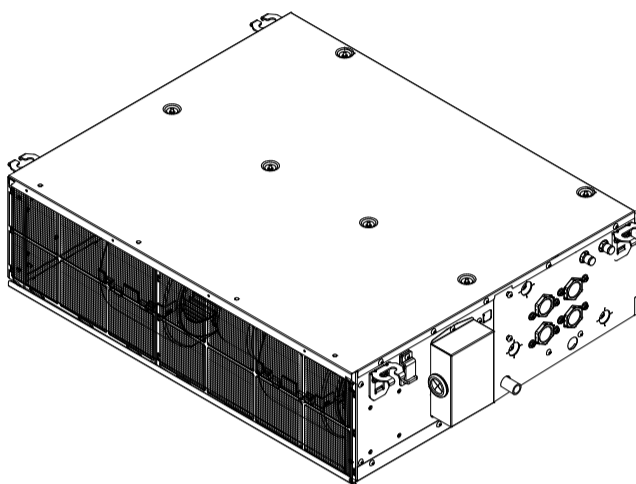
Dopo l'installazione dell'unità, controllare innanzitutto le avvertenze riportate di seguito. Una volta eseguiti tutti i controlli, l'unità deve essere chiusa. Alimentare l'unità dopo averla chiusa.

<input type="checkbox"/>	Installazione Verificare che l'unità sia stata adeguatamente installata, in modo da evitare rumori anomali e vibrazioni al momento dell'accensione.
<input type="checkbox"/>	Scolo Assicurarsi che lo scolo defluisca liberamente. Conseguenza possibile: l'acqua condensata potrebbe gocciolare.
<input type="checkbox"/>	Tensione di alimentazione Verificare la tensione disponibile in corrispondenza del pannello locale di alimentazione. Tale tensione DEVE corrispondere alla tensione indicata sulla targhetta presente sull'unità.
<input type="checkbox"/>	Cavi di messa a terra Accertarsi che i cavi di collegamento a terra siano stati collegati in modo adeguato e che i relativi morsetti siano stati ben serrati.
<input type="checkbox"/>	Fusibili, salvavita o dispositivi di protezione Assicurarsi che i fusibili, i salvavita o i dispositivi di protezione installati in loco siano delle dimensioni e del tipo specificato nel capitolo "4.4 Preparazione del cablaggio elettrico" a pagina 95. Assicurarsi di non bypassare alcun fusibile o dispositivo di protezione.
<input type="checkbox"/>	Cablaggio interno Effettuare un controllo visivo del quadro elettrico e dell'interno dell'unità per verificare che non vi siano collegamenti allentati o componenti elettrici danneggiati.
<input type="checkbox"/>	Apparecchiature danneggiate Accertarsi che all'interno dell'apparecchio non vi siano componenti danneggiati o tubi schiacciati.
<input type="checkbox"/>	Ingresso/uscita dell'aria Controllare che l'ingresso e l'uscita aria NON siano ostruiti da fogli di carta, cartone o altri materiali.

- 2 Su questo prodotto, il filtro dell'aria può essere installato su 1 di 2 posizioni (parte laterale e inferiore). Rimuovere il filtro facendolo scorrere, come illustrato di seguito.

Installazione orizzontale

Rimuovere il filtro facendolo scorrere.



7 Manutenzione e assistenza

! NOTA

La manutenzione DEVE essere eseguita da un installatore autorizzato o da un tecnico dell'assistenza.

Si consiglia di eseguire la manutenzione almeno una volta l'anno. Tuttavia, le leggi vigenti potrebbero imporre intervalli di manutenzione più brevi.

7.1 Pulizia del filtro dell'aria

Quando

- Effettuare la pulizia ogni 6 mesi. Se l'aria nell'ambiente è particolarmente contaminata, aumentare la frequenza della pulizia.
- Se la sporcizia divenisse impossibile da rimuovere, sostituire il filtro dell'aria utilizzando componenti originali.

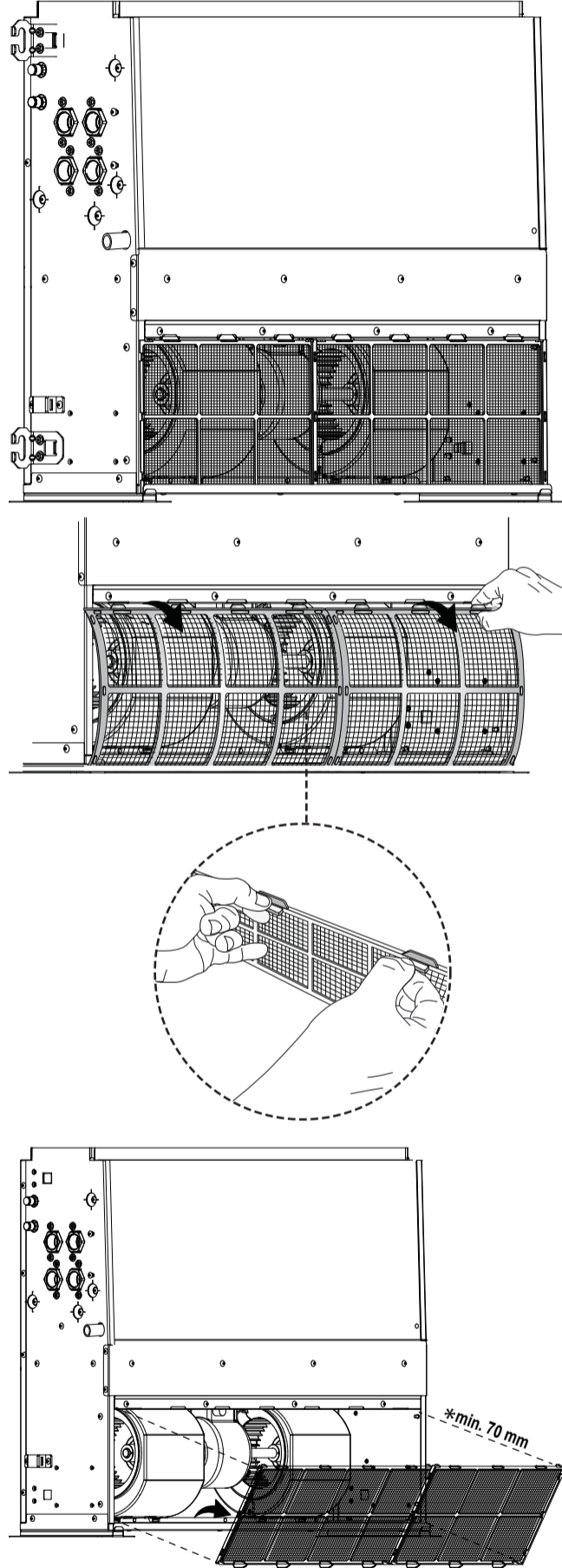
Come

- 1 Disattivare l'alimentazione.

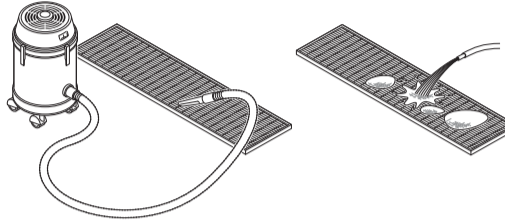
7 Manutenzione e assistenza

Installazione verticale

Spingere le linguette sul filtro, quindi tirare verso il basso.



- 3 Usare un aspirapolvere oppure lavare il filtro dell'aria con acqua. Se il filtro dell'aria è molto sporco, usare una spazzola morbida e un detergente neutro.



- 4 Rimontare il filtro dell'aria nella posizione originale.

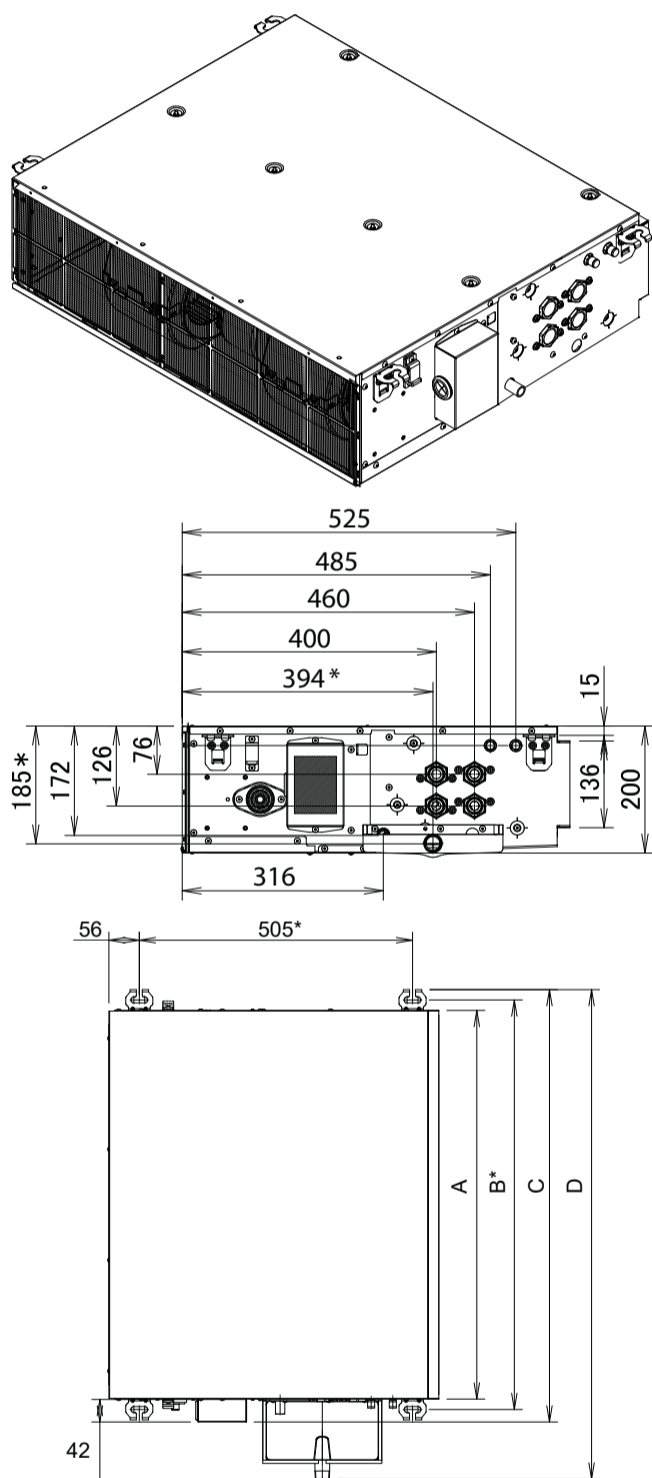
8 Dati tecnici

8 Dati tecnici

- Un **sottogruppo** degli ultimi dati tecnici è disponibile sul sito internet regionale Daikin (accessibile al pubblico).
- L'**insieme completo** degli ultimi dati tecnici è disponibile sul sito Daikin Business Portal (è richiesta l'autenticazione).

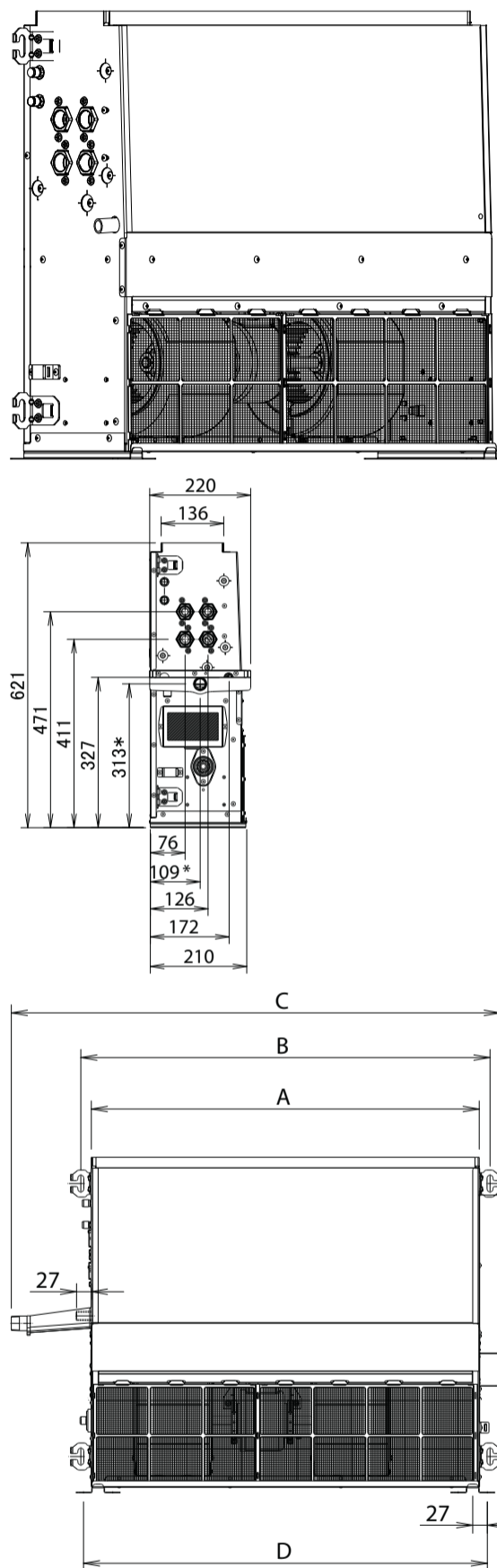
8.1 Dimensioni

Vista orizzontale



Unità: mm	A	B	C	D
FWE03~05	719	757	799	909
FWE06	919	957	999	1109
FWE07~11	1119	1157	1199	1309

Vista verticale



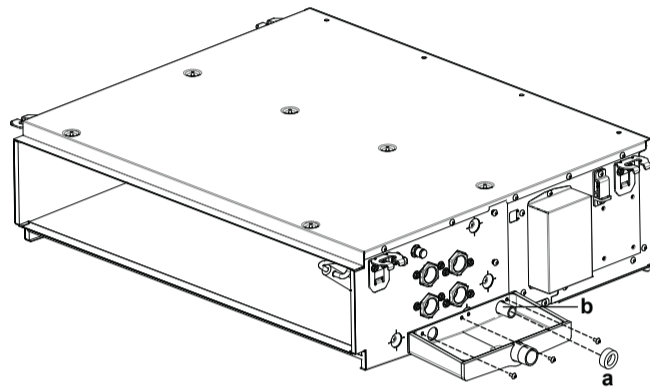
Unità: mm	A	B	C	D
FWE03~05	719	757	909	747
FWE06	919	957	1109	947
FWE07~11	1119	1157	1309	1147

Vaschetta di drenaggio regolabile (orizzontale)

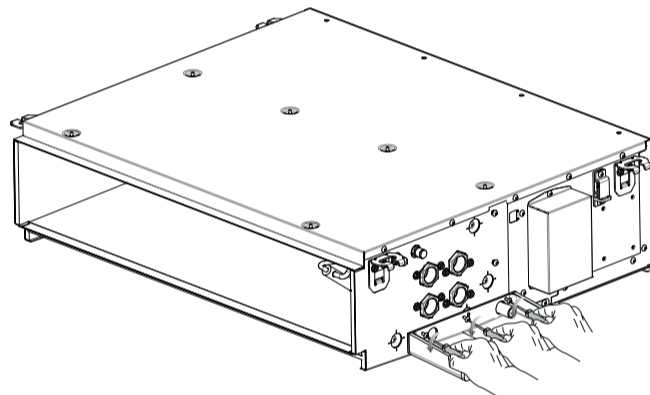


ATTENZIONE

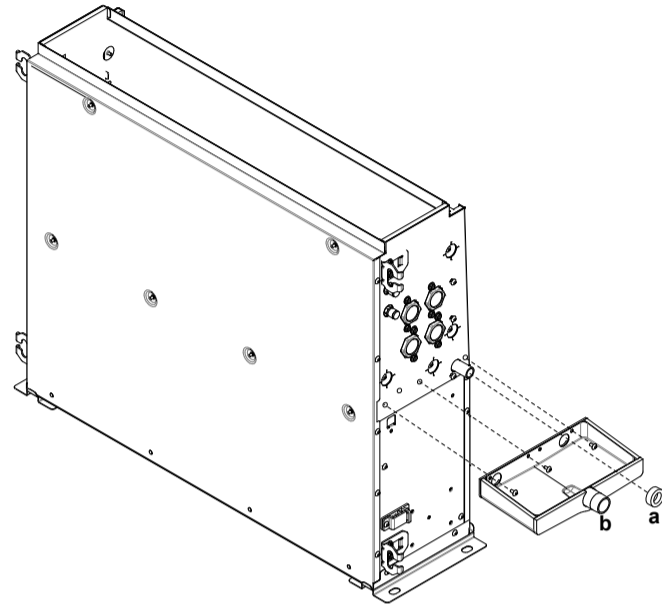
Assicurarsi di montare la gomma della presa di drenaggio dopo aver installato la vaschetta aggiuntiva. In caso contrario, può verificarsi un gocciolamento dovuto alla condensa nell'unità principale o nei tubi dell'acqua o all'ostruzione del filtro dell'aria o dello scarico, con conseguenti danni all'oggetto interessato.



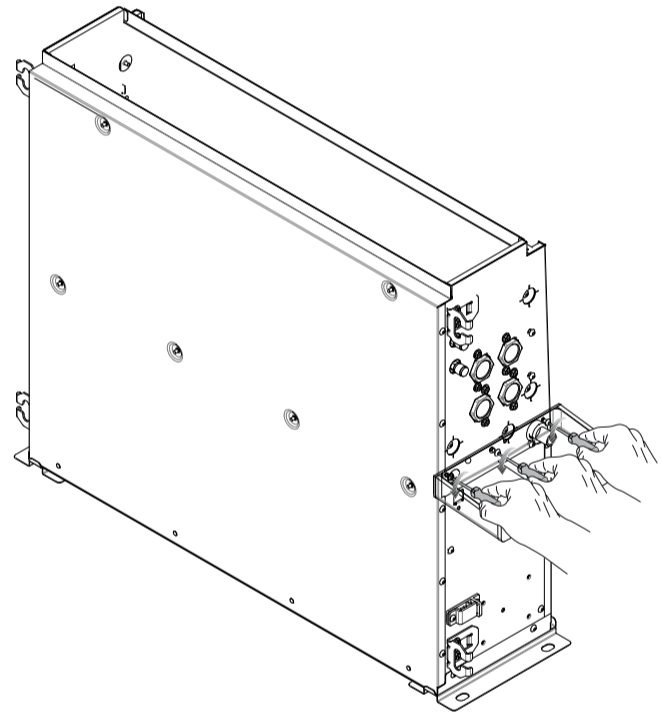
- a Gomma della presa di drenaggio
- b Presa di drenaggio aggiuntiva



Vaschetta di drenaggio regolabile (verticale)



- a Gomma della presa di drenaggio
- b Presa di drenaggio aggiuntiva



8 Dati tecnici

8.2 Schema dell'impianto elettrico

Sul terminale

Inglese	Traduzione
	Connessione
X1M	Terminale principale
-----	Alimentazione installazione
	PCB
	Terra di protezione
	Terra
---■□■---	Cavo installazione

Cavo del motore della ventola

WHT	Bianco
GRN	Verde
RED	Rosso
ORG	Arancione
BRN	Marrone
YLW	Giallo
BLU	Blu
GRN/YLW	Verde/giallo
C1	Condensatore
F1U	Fusibile
X1M	Morsettiera
M	Motore della ventola

8.3 Requisiti di informazione per la progettazione ecocompatibile

Seguire la procedura seguente per consultare i dati della Classe energetica – LOT 21 dell'unità e delle combinazioni esterno/interno.

- 1 Aprire la seguente pagina Web: <https://energylabel.daikin.eu/>
- 2 Per continuare, scegliere:
 - "Continue to Europe" per il sito Web internazionale.
 - "Other country" per un sito Web nazionale.

Risultato: Si viene indirizzati alla pagina Web "Efficienza stagionale".

- 3 Sotto "Eco Design – Ener LOT 21", fare clic su "Crea la tua etichetta".

Risultato: Si viene indirizzati alla pagina Web "Efficienza stagionale (LOT 21)".

- 4 Seguire le istruzioni nella pagina Web per selezionare l'unità corretta.

Risultato: Al termine della selezione, è possibile visualizzare la scheda tecnica LOT 21 in formato PDF o HTML.



INFORMAZIONI

È inoltre possibile consultare altri documenti (ad es. manuali...) dalla pagina Web risultante.

Περιεχόμενα

Περιεχόμενα

1	Πληροφορίες για τα έγγραφα τεκμηρίωσης	110
1.1	Πληροφορίες για το παρόν έγγραφο	110
1.2	Σημασία των προειδοποιητικών ενδείξεων και των συμβόλων	110
1.3	Γενικά	111
2	Πληροφορίες για τη συσκευασία	111
2.1	Επισκόπηση: Πληροφορίες για τη συσκευασία	111
2.2	Αποσυσκευασία και χειρισμός της κλιματιστικής μονάδας	111
2.3	Αφαίρεση των εξαρτημάτων από την κλιματιστική μονάδα	111
3	Σχετικά με τη μονάδα	112
3.1	Επισκόπηση: Πληροφορίες για τις μονάδες και τα προαιρετικά εξαρτήματα	112
3.2	Αναγνώριση	112
3.2.1	Ετικέτα αναγνώρισης: Κλιματιστική μονάδα	112
4	Προετοιμασία	112
4.1	Επισκόπηση: Προετοιμασία	112
4.2	Προετοιμασία του χώρου εγκατάστασης	112
4.3	Προετοιμασία των σωληνώσεων νερού	113
4.4	Προετοιμασία των ηλεκτρικών καλωδιώσεων	114
4.4.1	Σχετικά με την προετοιμασία των ηλεκτρικών καλωδιώσεων	114
5	Εγκατάσταση	114
5.1	Στερέωση της κλιματιστικής μονάδας	114
5.1.1	Οριζόντια εγκατάσταση	114
5.1.2	Κατακόρυφη εγκατάσταση	115
5.2	Αλλαγή από οριζόντια σε κατακόρυφη εγκατάσταση	116
5.3	Σύνδεση των σωληνώσεων νερού	117
5.3.1	Για να συνδέσετε τις σωληνώσεις νερού	117
5.3.2	Για να πληρώσετε το κύκλωμα νερού	117
5.4	Σύνδεση της ηλεκτρικής καλωδίωσης	118
5.4.1	Πληροφορίες για τη σύνδεση των ηλεκτρικών καλωδίων	118
5.4.2	Οδηγίες για τη σύνδεση των ηλεκτρικών καλωδίων	118
5.4.3	Για να συνδέσετε την ηλεκτρική καλωδίωση στην κλιματιστική μονάδα	118
5.4.4	Για να αλλάξετε τη διεύθυνση της ηλεκτρικής καλωδίωσης	118
5.5	Σύνδεση της σωλήνωσης αποστράγγισης	120
5.5.1	Για να εγκαταστήσετε τη σωλήνωση αποστράγγισης στη μονάδα	120
5.5.2	Για να συνδέσετε τη σωλήνωση αποστράγγισης	121
6	Αρχική εκκίνηση	121
6.1	Εκτέλεση μιας δοκιμαστικής λειτουργίας	121
6.2	Λίστα ελέγχου πριν την έναρξη λειτουργίας	122
7	Συντήρηση και σέρβις	122
7.1	Για να καθαρίσετε το φίλτρο αέρα	122
8	Τεχνικά χαρακτηριστικά	124
8.1	Διαστάσεις	124
8.2	Διάγραμμα καλωδίωσης	126
8.3	Απαιτήσεις στοιχείων για οικολογικό σχεδιασμό	127

1 Πληροφορίες για τα έγγραφα τεκμηρίωσης

1.1 Πληροφορίες για το παρόν έγγραφο

Στοχευόμενο κοινό

Εξουσιοδοτημένοι εγκαταστάτες



ΠΛΗΡΟΦΟΡΙΕΣ

Αυτή η συσκευή προορίζεται για χρήση τόσο από εξειδικευμένους ή καταρτισμένους χρήστες σε καταστήματα, στην ελαφρά βιομηχανία και σε αγροκτήματα όσο και για εμπορική και οικιακή χρήση από μη ειδικούς.

Πακέτο εγγράφων τεκμηρίωσης

Το παρόν έγγραφο αποτελεί μέρος του πακέτου εγγράφων τεκμηρίωσης. Το πλήρες πακέτο περιλαμβάνει τα εξής:

Οι πιο πρόσφατες αναθεωρήσεις των παρεχόμενων εγγράφων τεκμηρίωσης ενδέχεται να είναι διαθέσιμες στον δικτυακό τόπο της Daikin της περιοχής σας ή να μπορείτε να τις προμηθευτείτε από τον αντιπρόσωπο της περιοχής σας.

Τα πρωτότυπα έγγραφα τεκμηρίωσης έχουν συνταχθεί στα Αγγλικά. Όλες οι υπόλοιπες γλώσσες αποτελούν μεταφράσεις.

- **Εγχειρίδιο εγκατάστασης κλιματιστικής μονάδας:**
 - Οδηγίες εγκατάστασης
 - Μορφή: Χαρτί (στο κουτί της κλιματιστικής μονάδας)

1.2 Σημασία των προειδοποιητικών ενδείξεων και των συμβόλων



ΚΙΝΔΥΝΟΣ

Υποδεικνύει μια κατάσταση στην οποία θα προκληθεί θάνατος ή σοβαρός τραυματισμός.



ΚΙΝΔΥΝΟΣ: ΚΙΝΔΥΝΟΣ ΗΛΕΚΤΡΟΠΛΗΞΙΑΣ

Υποδεικνύει μια κατάσταση στην οποία θα μπορούσε να προκληθεί ηλεκτροπληξία.



ΚΙΝΔΥΝΟΣ: ΚΙΝΔΥΝΟΣ ΕΓΚΑΥΜΑΤΟΣ

Υποδεικνύει μια κατάσταση στην οποία θα μπορούσε να προκληθεί έγκαιμα εξαιτίας υπερβολικά υψηλών ή χαμηλών θερμοκρασιών.



ΚΙΝΔΥΝΟΣ: ΚΙΝΔΥΝΟΣ ΕΚΡΗΞΗΣ

Υποδεικνύει μια κατάσταση στην οποία θα μπορούσε να προκληθεί έκρηξη.



ΠΡΟΕΙΔΟΠΟΙΗΣΗ

Υποδεικνύει μια κατάσταση στην οποία θα μπορούσε να προκληθεί θάνατος ή σοβαρός τραυματισμός.



ΠΡΟΕΙΔΟΠΟΙΗΣΗ: ΕΥΦΛΕΚΤΟ ΥΛΙΚΟ



ΠΡΟΣΟΧΗ

Υποδεικνύει μια κατάσταση στην οποία θα μπορούσε να προκληθεί ελαφρύς ή αρκετά σοβαρός τραυματισμός.



ΕΙΔΟΠΟΙΗΣΗ

Υποδεικνύει μια κατάσταση στην οποία θα μπορούσε να προκληθεί βλάβη στον εξοπλισμό ή υλική ζημιά.

2 Πληροφορίες για τη συσκευασία



ΠΛΗΡΟΦΟΡΙΕΣ

Υποδεικνύει χρήσιμες συμβουλές ή πρόσθετες πληροφορίες.

Σύμβολο	Επεξήγηση
	Πριν την εγκατάσταση, διαβάστε το εγχειρίδιο εγκατάστασης και λειτουργίας, και το φύλλο οδηγιών καλωδίωσης.
	Πριν εκτελέσετε εργασίες συντήρησης και επισκευής, διαβάστε το εγχειρίδιο συντήρησης.
	Για περισσότερες πληροφορίες, συμβουλευτείτε τον οδηγό για τον τεχνικό εγκατάστασης και τον συνοπτικό οδηγό του χρήστη.

1.3 Γενικά

Αν ΔΕΝ είστε σίγουροι για τον τρόπο εγκατάστασης ή χειρισμού της μονάδας, επικοινωνήστε με οικείο αντιπρόσωπο.



ΕΙΔΟΠΟΙΗΣΗ

Η εσφαλμένη εγκατάσταση ή προσάρτηση εξοπλισμού ή παρελκόμενων ενδέχεται να οδηγήσει σε ηλεκτροπληξία, βραχυκύκλωμα, διαρροές, πυρκαγιά ή σε άλλες βλάβες στον εξοπλισμό. Χρησιμοποιείτε μόνο εξαρτήματα, προαιρετικό εξοπλισμό και ανταλλακτικά που κατασκευάζονται ή έχουν εγκριθεί από την Daikin.



ΠΡΟΕΙΔΟΠΟΙΗΣΗ

Βεβαιωθείτε ότι η εγκατάσταση, οι δοκιμές και τα χρησιμοποιούμενα υλικά συμμορφώνονται με την ισχύουσα νομοθεσία (στο πάνω μέρος των οδηγιών που περιγράφονται στα έγγραφα τεκμηρίωσης της Daikin).



ΠΡΟΣΟΧΗ

Φοράτε επαρκή ατομικό προστατευτικό εξοπλισμό (προστατευτικά γάντια, γυαλιά ασφαλείας,...) κατά την εκτέλεση εργασιών εγκατάστασης, συντήρησης και σέρβις του συστήματος.



ΠΡΟΕΙΔΟΠΟΙΗΣΗ

Σκίστε και πετάξτε τα πλαστικά περιτυλίγματα της συσκευασίας, ώστε να μην μπορεί κανείς, και ειδικά τα παιδιά, να παίξει με αυτά. Πιθανός κίνδυνος: ασφυξία.



ΠΡΟΕΙΔΟΠΟΙΗΣΗ

Λάβετε επαρκή μέτρα ώστε να αποτρέψετε τη χρήση της μονάδας ως φωλιάς από μικρά ζώα. Εάν μικρά ζώα έλθουν σε επαφή με ηλεκτροφόρα τμήματα ενδέχεται να προκληθεί δυσλειτουργία, καπνός ή πυρκαγιά.



ΠΡΟΣΟΧΗ

ΜΗΝ αγγίζετε την είσοδο αέρα ή τα αλουμιένια περύγια της μονάδας.



ΕΙΔΟΠΟΙΗΣΗ

- ΜΗΝ τοποθετείτε αντικείμενα ή εξοπλισμό επάνω στη μονάδα.
- ΜΗΝ κάθεστε, μην σκαρφαλώνετε και μην στέκεστε πάνω στη μονάδα.



ΚΙΝΔΥΝΟΣ: ΚΙΝΔΥΝΟΣ ΗΛΕΚΤΡΟΠΛΗΞΙΑΣ

- Βεβαιωθείτε ότι το σύστημα είναι σωστά γειωμένο.
- Διακόψτε την παροχή ηλεκτρικού ρεύματος πριν από την πραγματοποίηση εργασιών συντήρησης.
- Τοποθετήστε το καπάκι του ηλεκτρικού πίνακα πριν ενεργοποιήσετε την παροχή ρεύματος.



ΠΡΟΣΟΧΗ

- Ελέγξτε εάν η θέση εγκατάστασης μπορεί να σκιάσει το βάρος της μονάδας. Η κακή εγκατάσταση είναι επικίνδυνη. Μπορεί να προκαλέσει κραδασμούς ή ασυνήθη θόρυβο κατά τη λειτουργία.
- Εξασφαλίστε επαρκή χώρο για τη συντήρηση.
- ΜΗΝ εγκαθιστάτε τη μονάδα σε επαφή με οροφή ή τοίχο, καθώς αυτό θα μπορούσε να προκαλέσει κραδασμούς.



ΚΙΝΔΥΝΟΣ: ΚΙΝΔΥΝΟΣ ΗΛΕΚΤΡΟΠΛΗΞΙΑΣ

Μην χρησιμοποιείτε τις κλιματιστικές μονάδες με βρεγμένα χέρια. Μπορεί να προκληθεί ηλεκτροπληξία.

2 Πληροφορίες για τη συσκευασία

2.1 Επισκόπηση: Πληροφορίες για τη συσκευασία

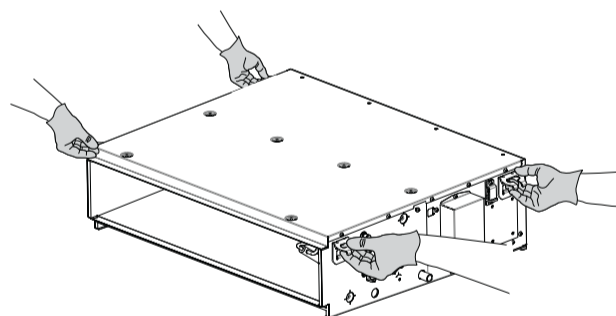
Να θυμάστε τα εξής:

- Κατά την παράδοση, η μονάδα ΠΡΕΠΕΙ να ελέγχεται για ζημιές. Τυχόν ζημιά ΠΡΕΠΕΙ να αναφερθεί άμεσα στον αρμόδιο υπάλληλο παραπόνων του μεταφορέα.
- Μεταφέρετε τη μονάδα όσο το δυνατόν πλησιέστερα στην τελική θέση εγκατάστασης, ώστε να αποφευχθούν ζημιές κατά τη μεταφορά.
- Ετοιμάστε εκ των προτέρων τη διαδρομή που θέλετε να ακολουθήσει η μονάδα, ώστε να φτάσει στο σημείο τοποθέτησης.

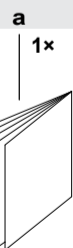
2.2 Αποσυσκευασία και χειρισμός της κλιματιστικής μονάδας

Για την ανύψωση της μονάδας χρησιμοποιήστε αρτάνη από μαλακό υλικό ή σχοινί και προστατευτικά φύλλα. Αυτό γίνεται για την αποτροπή ζημιών ή εκδορών στη μονάδα.

- Σηκώνετε τη μονάδα από τους βραχίονες ανάρτησης, χωρίς να ασκείτε πίεση σε άλλα εξαρτήματα, ειδικά στον αγωγό αποστράγγισης και στη θερμομόνωση.



2.3 Αφαίρεση των εξαρτημάτων από την κλιματιστική μονάδα



a Εγχειρίδιο εγκατάστασης

3 Σχετικά με τη μονάδα

3 Σχετικά με τη μονάδα

3.1 Επισκόπηση: Πληροφορίες για τις μονάδες και τα προαιρετικά εξαρτήματα

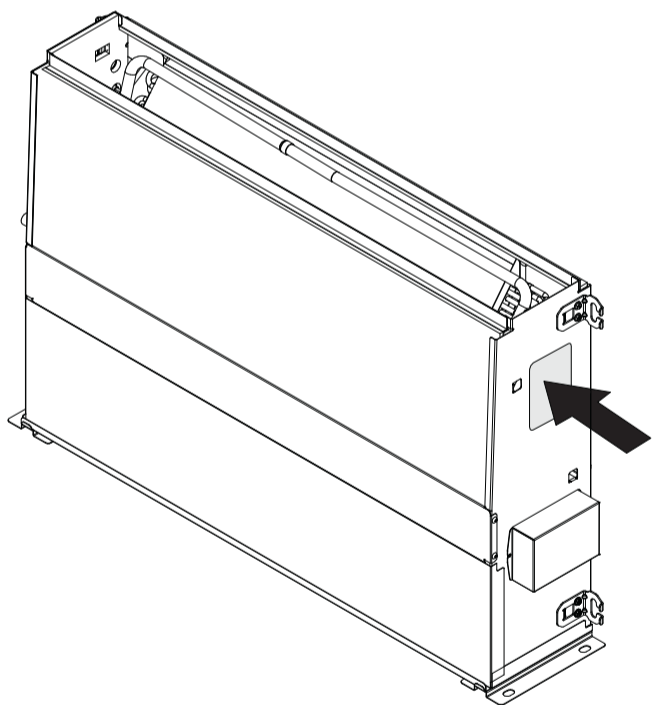
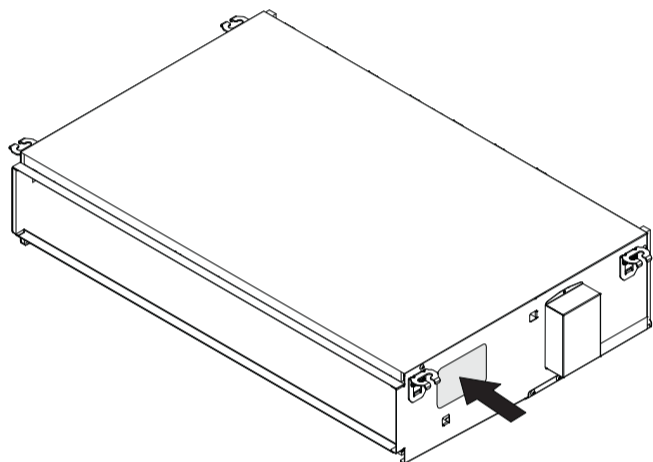
Αυτό το κεφάλαιο περιέχει πληροφορίες σχετικά με τα ακόλουθα:

- Αναγνώριση της κλιματιστικής μονάδας.

3.2 Αναγνώριση

3.2.1 Ετικέτα αναγνώρισης: Κλιματιστική μονάδα

Θέση



Στοιχεία μοντέλου

Παράδειγμα: FW E 03 D A F N 5 V3 — L

Κωδικός	Περιγραφή
FW	Κλιματιστική μονάδα νερού
E	Flex Χαμηλή στατική πίεση (LSP) χωρίς περίβλημα
03	Κλάση απόδοσης: 03=1,5 kW
D	Κύρια αλλαγή μοντέλου (A έως Ω)
A	Μικρή αλλαγή
F	4 σωλήνων
N	Χωρίς βαλβίδα
5	Εργοστάσιο HendeK
V3	Μοτέρ ανεμιστήρα / μονοφασικό / 50 Hz / 220~240 V
—	Καμία επιλογή
L	S: Αριστερή πλευρά νερό – Αριστερή πλευρά ηλεκτρολογική σύνδεση L: Αριστερή πλευρά νερό – Δεξιά πλευρά ηλεκτρολογική σύνδεση T: Δεξιά πλευρά νερό – Δεξιά πλευρά ηλεκτρολογική σύνδεση R: Δεξιά πλευρά νερό – Αριστερή πλευρά ηλεκτρολογική σύνδεση

4 Προετοιμασία

4.1 Επισκόπηση: Προετοιμασία

Αυτό το κεφάλαιο περιγράφει τι πρέπει να κάνετε και τι πρέπει να γνωρίζετε, προτού μεταβείτε στον χώρο εγκατάστασης.

Περιέχει πληροφορίες σχετικά με τα ακόλουθα:

- Την προετοιμασία του χώρου εγκατάστασης
- Την προετοιμασία της σωλήνωσης νερού
- Την προετοιμασία της ηλεκτρικής καλωδίωσης

4.2 Προετοιμασία του χώρου εγκατάστασης

ΠΡΟΕΙΔΟΠΟΙΗΣΗ

ΜΗΝ τοποθετείτε αντικείμενα κάτω από την κλιματιστική μονάδα γιατί μπορεί να βραχούν. Διαφορετικά, η συμπύκνωση στην κύρια μονάδα ή στους σωλήνες νερού, οι ακαθαρσίες στο φίλτρο αέρα ή ο αποκλεισμός της αποστράγγισης ενδέχεται να προκαλέσουν την εμφάνιση σταγόνων και να αλλοιώσουν ή να φθείρουν το εν λόγω αντικείμενο.

ΕΙΔΟΠΟΙΗΣΗ

Συμβουλευτείτε τον οικείο αντιπρόσωπο για να διασφαλίσετε ότι δεν σημειώνεται υπέρβαση της εξωτερικής στατικής πίεσης της μονάδας.

Μην εγκαθιστάτε ή χειρίζεστε τη μονάδα στους χώρους που αναφέρονται παρακάτω.

- Σε χώρους με παρουσία ορυκτελαίου ή ατμών ή εκνεφωμάτων λαδιού, όπως σε κουζίνες (τα πλαστικά εξαρτήματα ίσως παρουσιάσουν φθορά).
- Σε χώρους όπου υπάρχει διαβρωτικό αέριο, όπως το θειούχο αέριο. Οι χαλκοσωλήνες και τα σημεία συγκόλλησης μπορεί να διαβρωθούν.

4 Προετοιμασία

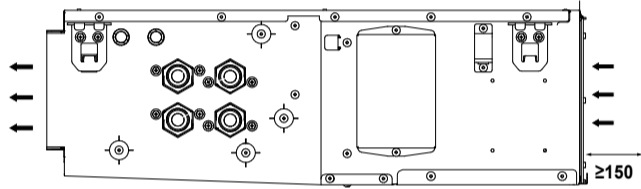
- Σε χώρους με υψηλή συγκέντρωση αλατιού στον αέρα, όπως σε παραθαλάσσιες περιοχές, καθώς και σε χώρους με μεγάλες διακυμάνσεις στην τάση του δικτύου. (π.χ. σε εργοστάσια). Επίσης σε οχήματα ή σκάφη.
- Σε σημεία όπου υπάρχουν μηχανήματα που εκπέμπουν ηλεκτρομαγνητικά κύματα. Τα ηλεκτρομαγνητικά κύματα ενδέχεται να επηρεάσουν το σύστημα ελέγχου και να προκαλέσουν δυσλειτουργία του εξοπλισμού.
- Σε σημεία όπου υπάρχει κίνδυνος πυρκαγιάς λόγω διαρροής εύφλεκτων αερίων (παράδειγμα: αραιωτικά ή βενζίνη), ανθρακοϊνών, αναφλέξιμης σκόνης.

Επιλέξτε μια θέση εγκατάστασης στην οποία τηρούνται οι παρακάτω προϋποθέσεις και ανταποκρίνεται στις απαιτήσεις του πελάτη σας.

Ο χώρος γύρω από τη μονάδα είναι επαρκής για εργασίες συντήρησης και επισκευής. Ο χώρος γύρω από τη μονάδα επιτρέπει την επαρκή κυκλοφορία του αέρα και διανομή του αέρα. Βλέπε απαιτούμενο χώρο για εγκατάσταση.

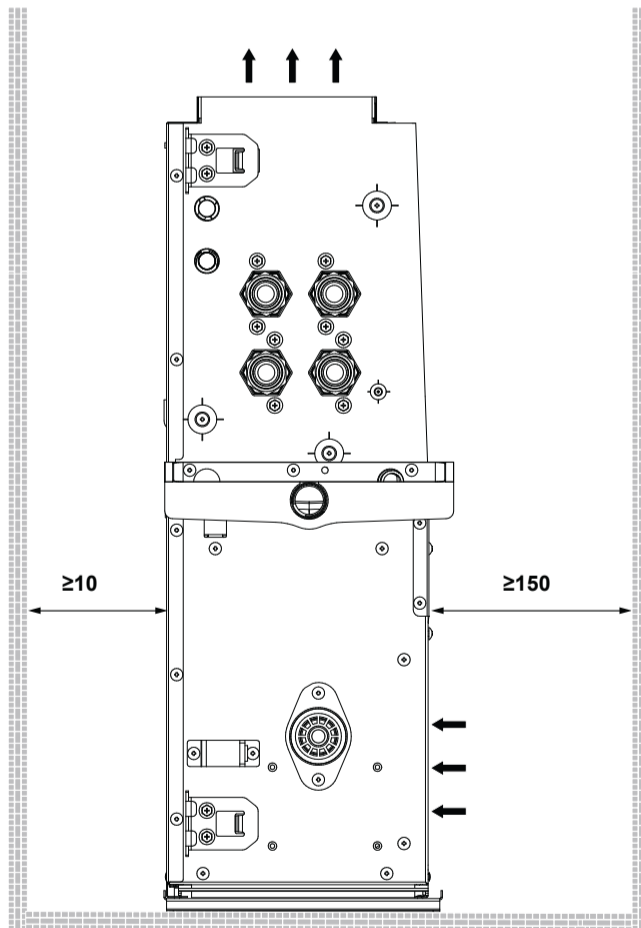
Οριζόντια εγκατάσταση

Όταν η μονάδα αναρτάται από την οροφή, η μονάδα πρέπει να εγκαθίσταται σε ύψους $\geq 2,5$ m από το δάπεδο.



Κατακόρυφη εγκατάσταση

Θα πρέπει να λαμβάνεται υπόψη ο χώρος συντήρησης του κατακόρυφου φίλτρου, όπως υποδεικνύεται.



ΠΡΟΣΟΧΗ

Μην χρησιμοποιείτε μπουλόνια ανάρτησης σε περίπτωση κατακόρυφης εγκατάστασης. Η κατακόρυφη εγκατάσταση πρέπει να γίνεται με το kit κατακόρυφης εγκατάστασης (ESFH01DS).

4.3 Προετοιμασία των σωληνώσεων νερού

Η μονάδα είναι εξοπλισμένη με είσοδο και έξοδο νερού για σύνδεση στο δίκτυο νερού. Το δίκτυο νερού πρέπει να παρασχεθεί από τεχνικό εγκατάστασης και πρέπει να συμμορφώνεται προς την ισχύουσα νομοθεσία.

ΕΙΔΟΠΟΙΗΣΗ

Η μονάδα προορίζεται αποκλειστικά για χρήση σε κλειστό κύκλωμα νερού. Η χρήση σε ανοικτό κύκλωμα νερού μπορεί να οδηγήσει σε υπερβολική διάβρωση των αγωγών νερού.

Πριν από την υλοποίηση των σωληνώσεων νερού, ελέγξτε τα παρακάτω σημεία:

- Η μέγιστη τιμή πίεσης νερού είναι 1 MPa.
- Η ελάχιστη θερμοκρασία νερού είναι 5°C.
- Η μέγιστη θερμοκρασία νερού είναι 90°C.
- Φροντίστε να εγκαταστήσετε εξαρτήματα στις σωληνώσεις του χώρου εγκατάστασης που μπορούν να αντέξουν την πίεση και τη θερμοκρασία του νερού.
- Εγκαταστήστε ικανοποιητικά μέτρα προστασίας στο κύκλωμα νερού για να διασφαλίσετε ότι η πίεση του νερού δεν θα ξεπεράσει ποτέ την μέγιστη επιτρεπόμενη πίεση λειτουργίας.
- Εξασφαλίστε κατάλληλη αποστράγγιση για τη βαλβίδα ανακούφισης πίεσης (αν έχει εγκατασταθεί), προκειμένου να αποτρέψετε την επαφή νερού με ηλεκτρικά εξαρτήματα.
- Εγκαταστήστε βαλβίδες αποκοπής στη μονάδα, ώστε να είναι δυνατή η διεξαγωγή των τυπικών εργασιών συντήρησης χωρίς αποστράγγιση του συστήματος.
- Εγκαταστήστε τάπες αποστράγγισης σε όλα τα χαμηλά σημεία του συστήματος, για να επιτρέπουν την πλήρη αποστράγγιση του κυκλώματος κατά τη διάρκεια της συντήρησης ή της επισκευής της μονάδας.
- Εγκαταστήστε βαλβίδες εξαέρωσης σε όλα τα υψηλά σημεία του συστήματος. Οι βαλβίδες θα πρέπει να βρίσκονται σε σημεία, όπου θα είναι εύκολα προσβάσιμες για συντήρηση.

5 Εγκατάσταση

4.4 Προετοιμασία των ηλεκτρικών καλωδιώσεων

4.4.1 Σχετικά με την προετοιμασία των ηλεκτρικών καλωδιώσεων



ΠΡΟΕΙΔΟΠΟΙΗΣΗ

- Χρησιμοποιείτε ΜΟΝΟ καλώδια από χαλκό.
- Βεβαιωθείτε ότι οι σωληνώσεις στο χώρο εγκατάστασης συμμορφώνονται με την ισχύουσα νομοθεσία.
- Κάθε καλωδίωση στον χώρο εγκατάστασης ΠΡΕΠΕΙ να πραγματοποιείται σύμφωνα με το διάγραμμα καλωδίωσης που συνοδεύει τη μονάδα.
- ΠΟΤΕ μην στριμώνετε πολλά καλώδια μαζί και φροντίστε να ΜΗΝ έρχονται σε επαφή με τις σωληνώσεις και αιχμηρές ακμές. Βεβαιωθείτε ότι δεν ασκείται εξωτερική πίεση στις συνδέσεις των ακροδεκτών.
- Γειώστε απαραίτητως τα καλώδια. ΜΗΝ γειώνετε τη μονάδα σε σωλήνες ύδρευσης, σε απορροφητή υπέρτασης ή σε γείωση τηλεφωνικής γραμμής. Ανεπαρκής γείωση μπορεί να προκαλέσει ηλεκτροπληξία.
- Χρησιμοποιήστε ένα αποκλειστικό κύκλωμα ισχύος. ΠΟΤΕ μην χρησιμοποιείτε παροχή ρεύματος που χρησιμοποιείται από άλλη συσκευή.
- Εγκαταστήστε τις απαιτούμενες ασφάλειες ή τους διακόπτες ασφαλείας.
- Εγκαταστήστε έναν διακόπτη διαρροής προς τη γη. Σε αντίθετη περίπτωση, ενδέχεται να προκληθεί ηλεκτροπληξία ή πυρκαγιά.
- Κατά την εγκατάσταση του διακόπτη διαρροής προς τη γη, βεβαιωθείτε ότι είναι συμβατός με τον inverter (ανθεκτικός σε ηλεκτρικό θόρυβο υψηλής συχνότητας), ώστε να αποφύγετε την ακούσια ενεργοποίηση του διακόπτη διαρροής προς τη γη.



ΕΙΔΟΠΟΙΗΣΗ

Ο εξοπλισμός που περιγράφεται σε αυτό το εγχειρίδιο μπορεί να προκαλέσει ηλεκτρονικά παράσιτα από ραδιοσυχνότητα. Ο εξοπλισμός είναι συμβατός με τις προδιαγραφές που έχουν σχεδιαστεί για εύλογη προστασία κατά τέτοιων παρεμβολών. Εντούτοις, δεν παρέχεται εγγύηση ότι δεν θα προκληθούν παρεμβολές σε κάποια συγκεκριμένη εγκατάσταση.

Γι' αυτό συνιστάται να εγκαταστήσετε τον εξοπλισμό και τα ηλεκτρικά καλώδια, τηρώντας τις κατάλληλες αποστάσεις από στερεοφωνικό εξοπλισμό, υπολογιστές κ.λπ.



ΠΡΟΕΙΔΟΠΟΙΗΣΗ

Όλες οι καλωδιώσεις και τα εξαρτήματα στον χώρο εγκατάστασης ΠΡΕΠΕΙ να εγκατασταθούν από αδειοδοτημένο ηλεκτρολόγο και ΠΡΕΠΕΙ να συμμορφώνονται με την ισχύουσα νομοθεσία.



ΚΙΝΔΥΝΟΣ: ΚΙΝΔΥΝΟΣ ΗΛΕΚΤΡΟΠΛΗΞΙΑΣ



ΠΡΟΕΙΔΟΠΟΙΗΣΗ

Στη σταθερή καλωδίωση ΠΡΕΠΕΙ να ενσωματώνεται γενικός διακόπτης ή άλλο μέσο απόζευξης, με διαχωρισμό επαφής σε όλους τους πόλους, σε συμμόρφωση με την ισχύουσα νομοθεσία.

Ηλεκτρικά χαρακτηριστικά

	FWE-D
Φάση	1N~
Συχνότητα	50 Hz
Διακύμανση τάσης	220~240 V
Ανοχή τάσης	±10%
Μέγιστη ένταση ρεύματος λειτουργίας	0,46 A
Ασφάλεια υπερέντασης	16 A

Προδιαγραφές για καλωδίωση στο χώρο εγκατάστασης

	Καλώδιο	Μέγεθος (mm ²)	Μήκος
Καλωδίωση τροφοδοσίας	H05VV-U3G ^{(a)(b)}	Σύμφωνα με την ισχύουσα νομοθεσία ≤4,0	—
Καλωδίωση τηλεχειριστήριο υ και επικοινωνίας μονάδας	Θωρακισμένος καλώδιο 2 αγωγών ^(c)	0,75~1,25	≤500 m ^(d)

^(a) Μόνο σε περίπτωση προστατευμένων σωληνώσεων. Αν δεν υπάρχει προστασία, χρησιμοποιήστε H07RN-F.

^(b) Περάστε την ηλεκτρική καλωδίωση μέσα από αγωγό, για προστασία από εξωτερικές δυνάμεις.

^(c) Χρησιμοποιήστε διπλό μονωμένο καλώδιο για το τηλεχειριστήριο (πάχος θωράκισης ≥1 mm) ή περάστε τα καλώδια μέσα από τοίχο ή αγωγό, ώστε ο χρήστης να μην μπορεί να έρθει σε επαφή με αυτά.

^(d) Το μήκος θα είναι το συνολικό μήκος του συστήματος σε ανάπτυξη με ομαδικό έλεγχο.

5 Εγκατάσταση

5.1 Στερέωση της κλιματιστικής μονάδας



ΠΛΗΡΟΦΟΡΙΕΣ

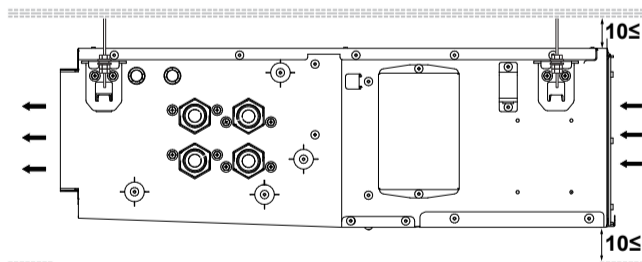
Το κενό μεταξύ της οροφής και της μονάδας θα πρέπει να είναι ≥10 mm και ο χώρος αναρρόφησης πρέπει να είναι ≥150 mm.



ΠΛΗΡΟΦΟΡΙΕΣ

Όλα τα παραπάνω εξαρτήματα προμηθεύονται από το εμπόριο. Για εγκατάσταση διαφορετική από την τυπική εγκατάσταση, επικοινωνήστε με τον τοπικό αντιπρόσωπο για συμβουλές.

5.1.1 Οριζόντια εγκατάσταση

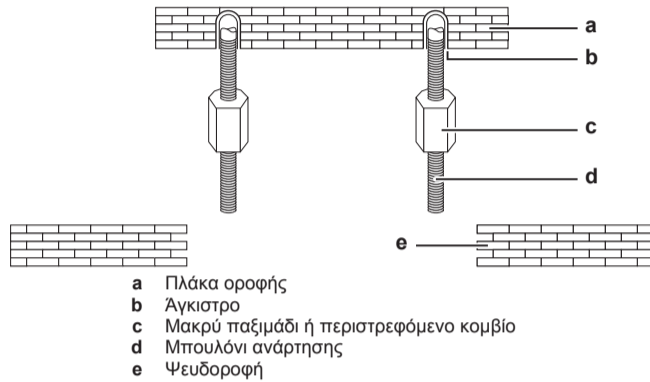


- 1 Διαμορφώστε το απαραίτητο άνοιγμα στην οροφή για την εγκατάσταση σε κατάλληλη θέση.

Ίσως χρειαστεί να ενισχύσετε τον σκελετό της ψευδοροφής ώστε να διατηρείται οριζόντια και να μην προκαλούνται κραδασμοί. Συμβουλευτείτε τον κατασκευαστή για λεπτομέρειες.

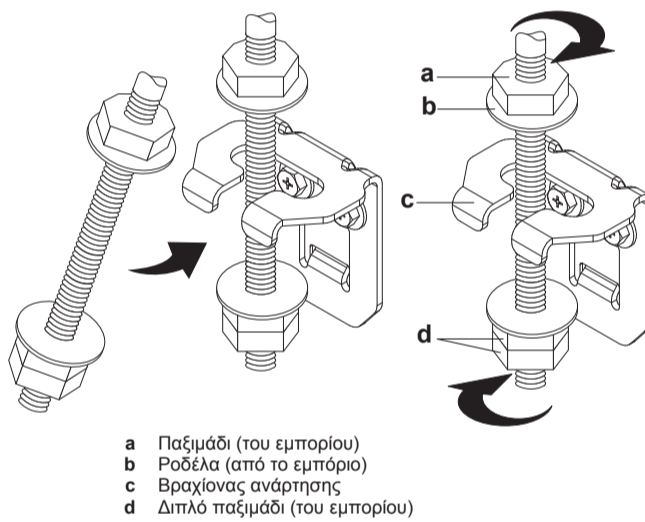
5 Εγκατάσταση

2 Τοποθετήστε τα μπουλόνια ανάρτησης. Χρησιμοποιήστε μπουλόνια μεγέθους W3/8 ή M10. Χρησιμοποιήστε άγκιστρα για τις υπάρχουσες οροφές και ούπα ή αντίστοιχα άγκιστρα ή άλλα παρεχόμενα εξαρτήματα του εμπορίου για νέες οροφές, ώστε να ενισχύσετε την οροφή για να αντέχει το βάρος της μονάδας. Ανατρέξτε σε αυτό για να ελέγξετε τα σημεία, για τα οποία απαιτείται ενίσχυση. Προσαρμόστε την απόσταση από την οροφή, προτού συνεχίσετε.

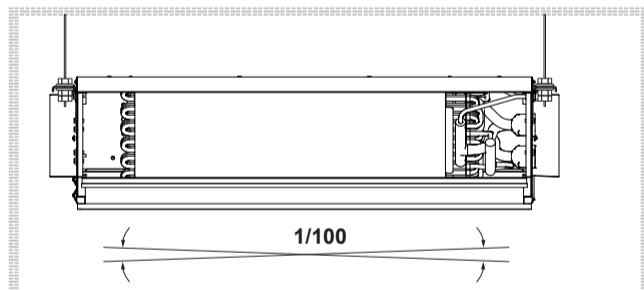


3 Εγκαταστήστε προσωρινά την μονάδα.

Συνδέστε τον βραχίονα ανάρτησης στο μπουλόνι ανάρτησης. Στερεώστε την μονάδα με ασφάλεια.



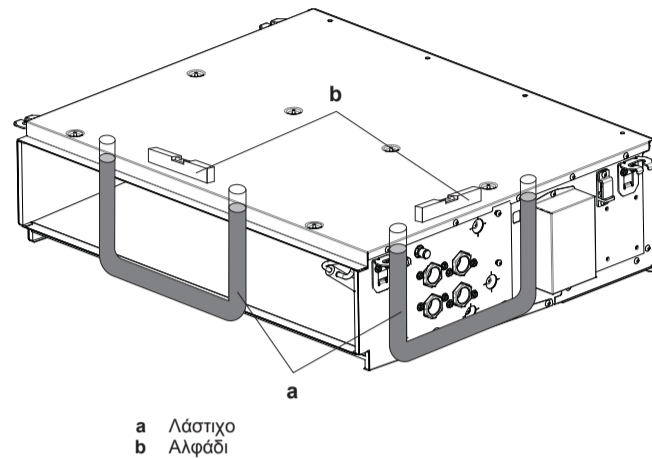
4 Προσαρμόστε τη μονάδα στη σωστή θέση για την εγκατάσταση.



5 Ελέγξτε αν η μονάδα είναι σε οριζόντια θέση.

Μην εγκαθιστάτε τη μονάδα υπό γωνία. Εάν η μονάδα γέρνει αντίθετα από την κατεύθυνση της ροής του συμπυκνώματος (η πλευρά της σωληνώσης αποστράγγισης είναι ανυψωμένη), θα στάζει νερό.

Ελέγξτε αν η μονάδα είναι οριζόντια και στις 4 γωνίες, χρησιμοποιώντας αλφάδι νερού ή αλφαδολάστιχο.



5.1.2 Κατακόρυφη εγκατάσταση

! ΕΙΔΟΠΟΙΗΣΗ

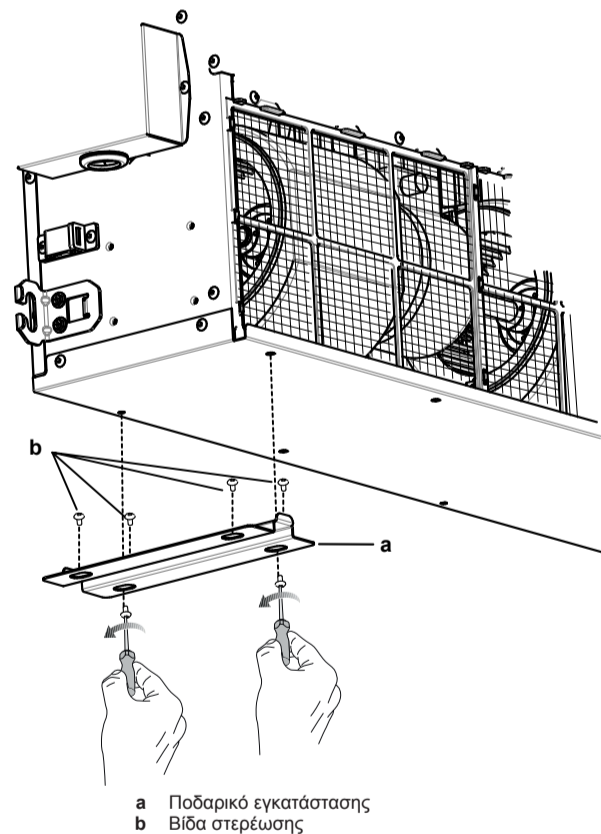
ΜΗΝ ασκείτε υπερβολική δύναμη κατά τη σύνδεση των σωληνώσεων. Παραμορφωμένες σωληνώσεις ενδέχεται να προκαλέσουν δυσλειτουργία της μονάδας. Βεβαιωθείτε ότι η ροπή σύσφιξης είναι 3 N·m για όλες τις βίδες.

! ΕΙΔΟΠΟΙΗΣΗ

Το κιτ προαιρετικών εξαρτημάτων για την κατακόρυφη εγκατάσταση της μονάδας (ESFH01DS) θα πρέπει να διατεθεί από τοπικό αντιπρόσωπο.

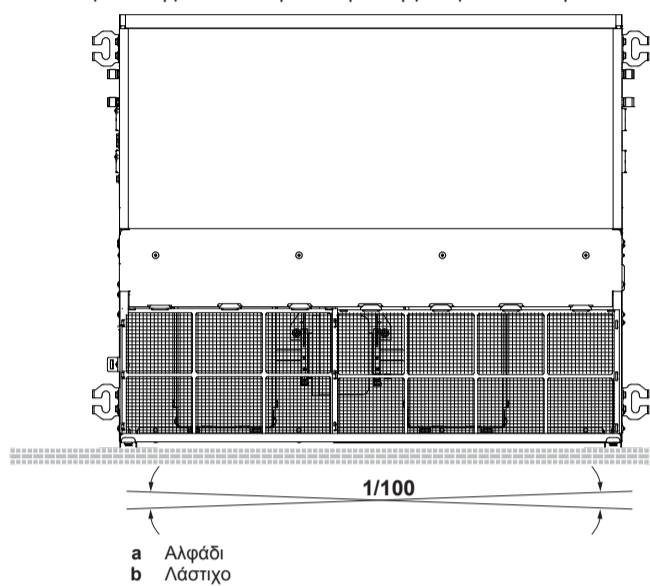
1 Εγκαταστήστε προσωρινά την μονάδα.

Εγκαταστήστε τη μονάδα στο δάπεδο με ποδαρικά εγκατάστασης. Βεβαιωθείτε ότι έχετε τοποθετήσει τη μονάδα στο δάπεδο με ασφαλή τρόπο. Αν υπάρχει κίνδυνος ανατροπής της μονάδας, στερεώστε τη στο δάπεδο με βίδες στις οπές των ποδαρικών εγκατάστασης.



5 Εγκατάσταση

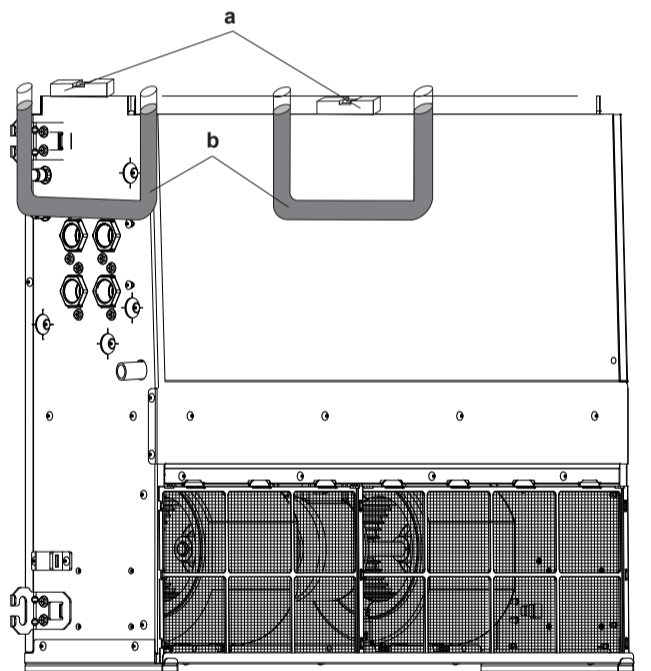
- 2 Ρυθμίστε τη μονάδα στη σωστή θέση για εγκατάσταση.



- 3 Ελέγξτε αν η μονάδα είναι σε οριζόντια θέση.

Μην εγκαθιστάτε τη μονάδα υπό γωνία. Εάν η μονάδα γέρνει αντίθετα από την κατεύθυνση της ροής του συμπυκνώματος (η πλευρά της σωλήνωσης αποστράγγισης είναι ανυψωμένη), θα στάζει νερό.

Ελέγξτε αν η μονάδα είναι οριζόντια και στις τέσσερις γωνίες, χρησιμοποιώντας αλφάδι νερού ή αλφαδολάστιχο.



5.2 Αλλαγή από οριζόντια σε κατακόρυφη εγκατάσταση

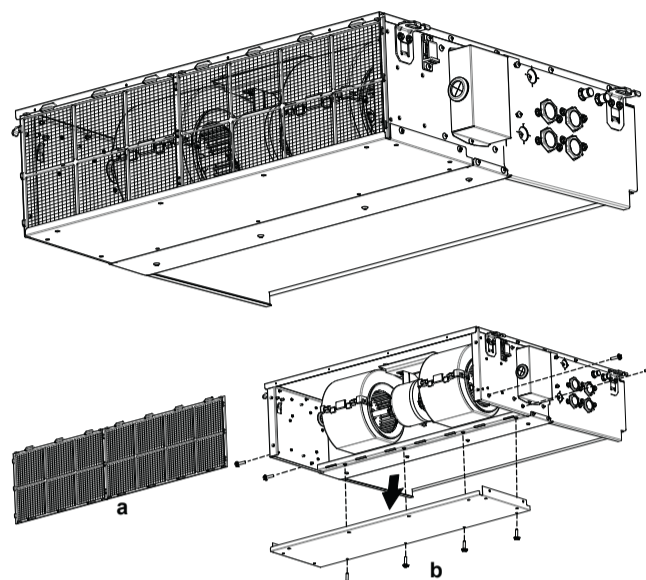


ΠΡΟΣΟΧΗ

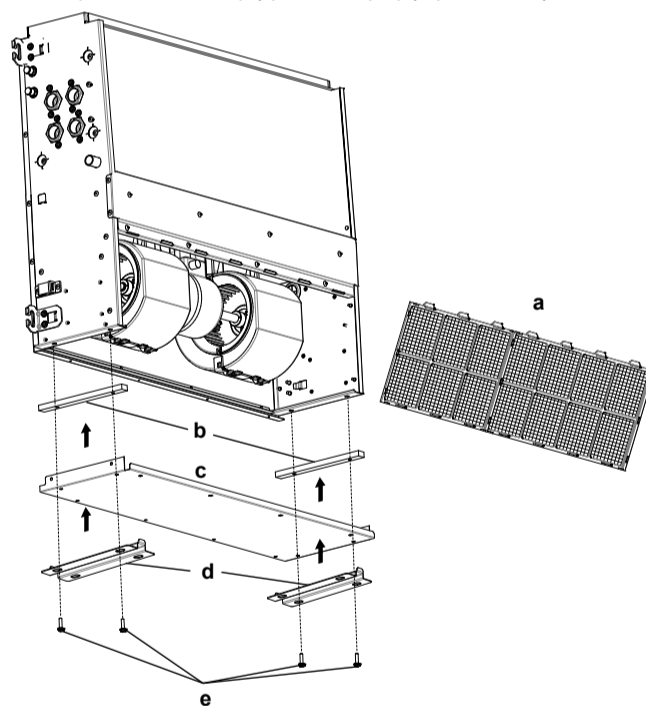
Βεβαιωθείτε ότι η μονάδα είναι αλφαδιασμένη σε όλες τις διευθύνσεις.

Σε περίπτωση αλλαγής από οριζόντια σε κατακόρυφη εγκατάσταση, ακολουθήστε τις εξής οδηγίες.

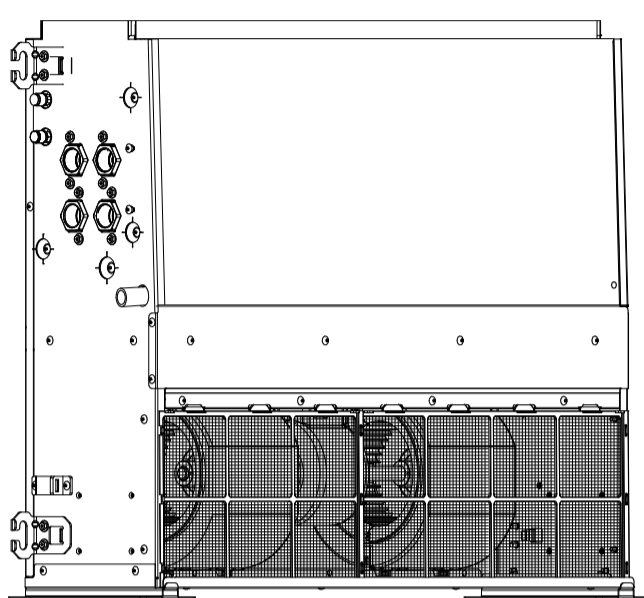
- 1 Αφαιρέστε το φίλτρο αέρα.
- 2 Αφαιρέστε τις βίδες του καλύμματος συντήρησης και αφαιρέστε το κάλυμμα από τη μονάδα.



- 3 Εισαγάγετε το στήριγμα από καουτσούκ (περιλαμβάνεται στο προαιρετικό kit) στον ελεύθερο χώρο μεταξύ της πλευρικής πλάκας και των φλαντζών στο κάτω μέρος.
- 4 Επανατοποθετήστε το κάλυμμα συντήρησης που έχει αφαιρεθεί στην κάτω πλευρά.
- 5 Συνδέστε 2 ποδαρικά εγκατάστασης από το προαιρετικό kit κατακόρυφης εγκατάστασης στο κάλυμμα συντήρησης με τις 4 βίδες από το προαιρετικό kit.
- 6 Επανατοποθετήστε το φίλτρο αέρα στον οδηγό φίλτρου του καλύμματος συντήρησης.
- 7 Η μονάδα είναι έτοιμη για κατακόρυφη εγκατάσταση.



5 Εγκατάσταση



- a Φίλτρο αέρα
- b Κάλυμμα συντήρησης
- c Ποδαρικά εγκατάστασης
- d Βίδες
- e Φίλτρο αέρα

5.3 Σύνδεση των σωληνώσεων νερού

! ΕΙΔΟΠΟΙΗΣΗ

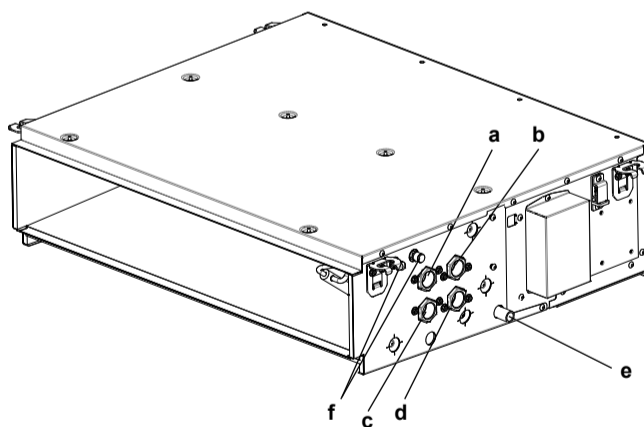
Μην εξασκείτε υπερβολική δύναμη κατά τη σύνδεση των σωληνώσεων. Αυτό μπορεί να προκαλέσει παραμόρφωση των σωληνώσεων της μονάδας. Παραμορφωμένες σωληνώσεις ενδέχεται να προκαλέσουν δυσλειτουργία της μονάδας.

! ΠΡΟΣΟΧΗ

Θα πρέπει να χρησιμοποιούνται πάντα βαλβίδες για τον έλεγχο της κυκλοφορίας νερού στη μονάδα. Η βαλβίδα θα πρέπει να είναι τύπου NC (κανονικά κλειστή) ώστε οι βαλβίδες να κλείνουν όταν η μονάδα δεν βρίσκεται σε λειτουργία. Με αυτόν τον τρόπο αποτρέπεται η παραγωγή νερού συμπύκνωσης.

5.3.1 Για να συνδέσετε τις σωληνώσεις νερού

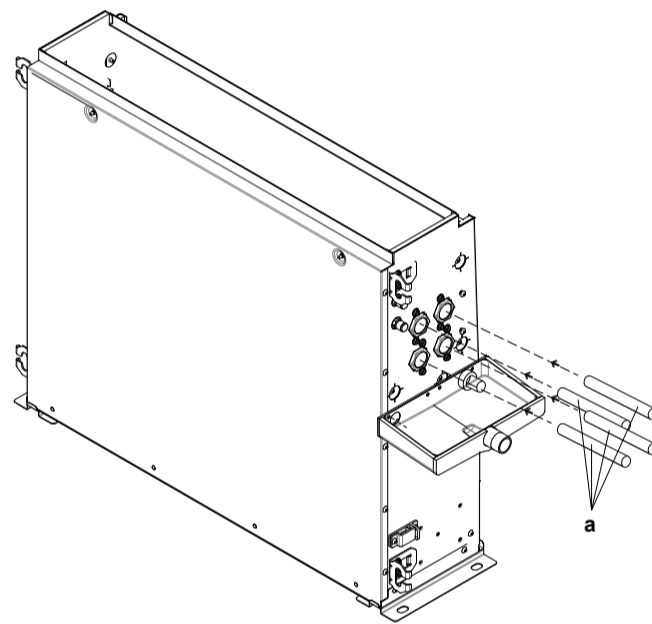
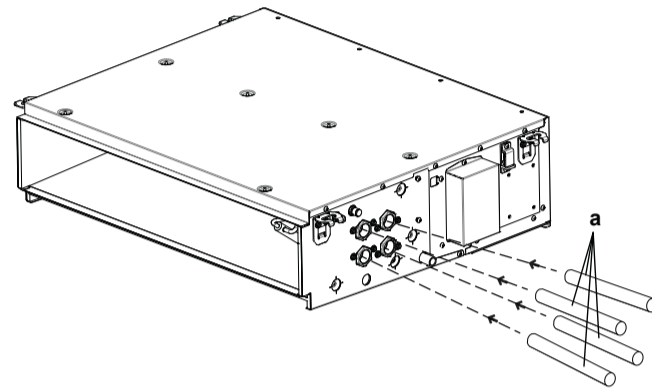
- 1 Συνδέστε τις συνδέσεις εισόδου και εξόδου νερού της κλιματιστικής μονάδας στις σωληνώσεις νερού.



- a Σύνδεση σωλήνα αποστράγγισης (3/4" αρσενικό)
- b Είσοδος κρύου νερού (3/4" θηλυκό BSP)
- c Έξοδος κρύου νερού (3/4" θηλυκό BSP)
- d Είσοδος νερού θέρμανσης (3/4" θηλυκό BSP)
- e Έξοδος νερού θέρμανσης (3/4" θηλυκό BSP)
- g Βάνα εξαέρωσης

Παρατήρηση: Χρησιμοποιήστε σωλήνα 3/4" με αρσενικό σπείρωμα BSP σε περίπτωση απευθείας σύνδεσης με τη μονάδα.

- 2 Ολόκληρο το κύκλωμα νερού, συμπεριλαμβανομένων όλων των σωληνώσεων, θα πρέπει να μονωθεί για να αποφευχθεί η συμπύκνωση και η μειωμένη απόδοση.



a Σωλήνας σύνδεσης

5.3.2 Για να πληρώσετε το κύκλωμα νερού

! ΕΙΔΟΠΟΙΗΣΗ

Βεβαιωθείτε ότι η ποιότητα του νερού συμμορφώνεται με την Οδηγία 98/83/EK της ΕΕ.

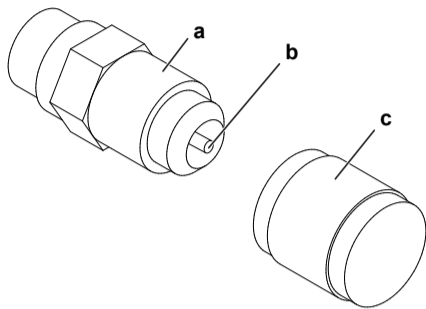
! ΕΙΔΟΠΟΙΗΣΗ

- Η παρουσία αέρα στο κύκλωμα νερού μπορεί να προκαλέσει δυσλειτουργίες. Κατά την πλήρωση, ενδέχεται να μην είναι δυνατή η αφαίρεση όλου του αέρα από το κύκλωμα. Ο αέρας που απομένει θα αφαιρεθεί μέσω των βαλβίδων αυτόματης εξαέρωσης τις πρώτες ώρες λειτουργίας του συστήματος. Ενδεχομένως, αργότερα να χρειαστεί συμπληρωματική πλήρωση με νερό.
- Για να εξαερώσετε το σύστημα, χρησιμοποιήστε την ειδική λειτουργία, όπως περιγράφεται στην ενότητα "6 Θέση σε λειτουργία" στη σελίδα 121.

- 1 Ανοίξτε το καπάκι.
- 2 Πιέστε τη βάνα εκτόνωσης πίεσης για εξαέρωση από το(α) κύκλωμα(τα) νερού της μονάδας.
- 3 Κλείστε το καπάκι.

5 Εγκατάσταση

- 4 Ενδεχομένως, αργότερα να χρειαστεί συμπληρωματική πλήρωση με νερό (αλλά ποτέ μέσω της βαλβίδας εξαέρωσης).



a Εξαέρωση
b Βάνα εκτόνωσης πίεσης
c Καπάκι

5.4 Σύνδεση της ηλεκτρικής καλωδίωσης

5.4.1 Πληροφορίες για τη σύνδεση των ηλεκτρικών καλωδίων

Τυπική ροή εργασίας

Η σύνδεση της ηλεκτρικής καλωδίωσης συνήθως αποτελείται από τα εξής στάδια:

- 1 Βεβαιωθείτε ότι το σύστημα ηλεκτρικής παροχής συμμορφώνεται με τις ηλεκτρολογικές προδιαγραφές των μονάδων.
- 2 Σύνδεση της ηλεκτρικής καλωδίωσης στην κλιματιστική μονάδα.
- 3 Αλλαγή της διεύθυνσης της ηλεκτρικής καλωδίωσης (αν εφαρμόζεται).

5.4.2 Οδηγίες για τη σύνδεση των ηλεκτρικών καλωδίων

Όταν συνδέετε καλώδια ίδιου διαμετρήματος, πρέπει να τα συνδέετε σύμφωνα με την παρακάτω εικόνα.



Τηρείτε τις σημειώσεις που αναφέρονται παρακάτω κατά τη σύνδεση των ηλεκτρικών καλωδίων.

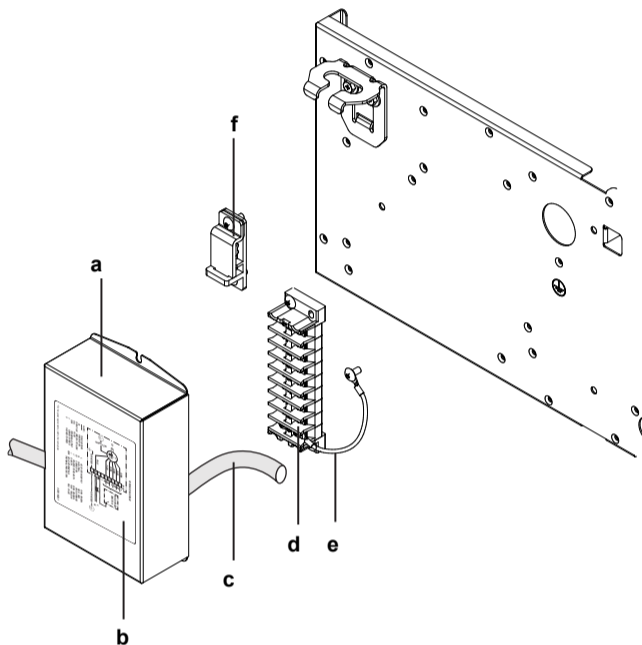
- Μη συνδέετε καλώδια διαφορετικού διαμετρήματος στον ίδιο ακροδέκτη τροφοδοσίας. Τυχόν χαλάρωση των συνδέσεων μπορεί να οδηγήσει σε υπερθέρμανση.
- Μην συνδέετε καλώδια διαφορετικού διαμετρήματος με τον ίδιο ακροδέκτη γείωσης. Τυχόν χαλάρωση των συνδέσεων μπορεί να επηρεάσει την προστασία.
- Χρησιμοποιήστε το καθορισμένο ηλεκτρικό καλώδιο (ανατρέξτε στην ενότητα "Προδιαγραφές για καλωδίωση στο χώρο εγκατάστασης" στη σελίδα 114). Συνδέστε το καλώδιο καλά στον ακροδέκτη. Χρησιμοποιήστε την κατάλληλη ροπή σύσφιξης (N·m).
- Ροπή σύσφιξης μπλοκ ακροδεκτών παροχής ρεύματος: 1,44~1,88 N·m.
- Διατηρείτε την καλωδίωση εύτακτη ώστε τα καλώδια να μην παρεμποδίζουν άλλον εξοπλισμό και να μην πιέζουν το κάλυμμα των ακροδεκτών ώστε να ανοίξει. Βεβαιωθείτε ότι το κάλυμμα κλείνει καλά. Τυχόν ατελείς συνδέσεις μπορεί να προκαλέσουν υπερθέρμανση και, στη χειρότερη περίπτωση, ηλεκτροπληξία ή πυρκαγιά.

5.4.3 Για να συνδέσετε την ηλεκτρική καλωδίωση στην κλιματιστική μονάδα

Συμβουλευτείτε το αυτοκόλλητο διάγραμμα καλωδίωσης στο κάλυμμα των ακροδεκτών.

ΕΙΔΟΠΟΙΗΣΗ

- Ακολουθήστε το διάγραμμα καλωδίωσης (παρέχεται με τη μονάδα, στο εσωτερικό του καλύμματος του ηλεκτρικού πίνακα).
- Βεβαιωθείτε ότι η καλωδίωση ΔΕΝ παρεμποδίζει την κατάλληλη επανατοποθέτηση του καλύμματος συντήρησης.



a Κάλυμμα ακροδεκτών
b Αυτοκόλλητο
c Καλώδιο παροχής ρεύματος
d Πλακέτα ακροδεκτών
e Καλώδιο γείωσης
f Διάταξη συγκράτηση καλωδίων

- 1 Αφαιρέστε το κάλυμμα ακροδεκτών και τη διάταξη συγκράτησης καλωδίων από τη μονάδα.
- 2 Συνδέστε το καλώδιο παροχής ρεύματος στην πλακέτα ακροδεκτών.
- 3 Στερεώστε το καλώδιο παροχής ρεύματος με τη διάταξη συγκράτησης καλωδίων.
- 4 Επανατοποθετήστε το κάλυμμα των ακροδεκτών στη μονάδα.

5.4.4 Για να αλλάξετε τη διεύθυνση της ηλεκτρικής καλωδίωσης

ΕΙΔΟΠΟΙΗΣΗ

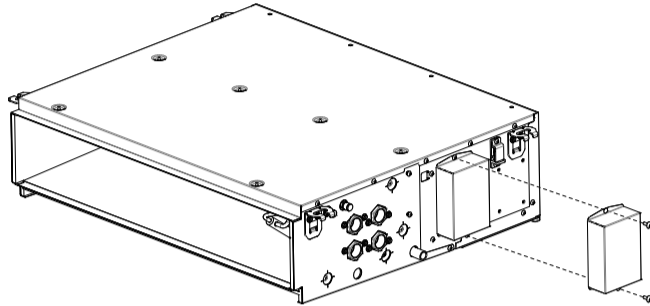
Η ηλεκτρική καλωδίωση μπορεί να αλλάξει στην αντίθετη πλευρά στον χώρο εγκατάστασης.

ΕΙΔΟΠΟΙΗΣΗ

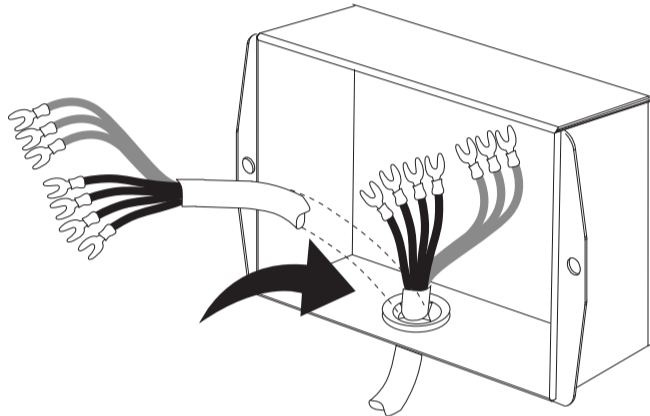
Προσέξτε να μην μαγκώσετε καλώδια κατά τη σύνδεση του καλύμματος των ακροδεκτών.

5 Εγκατάσταση

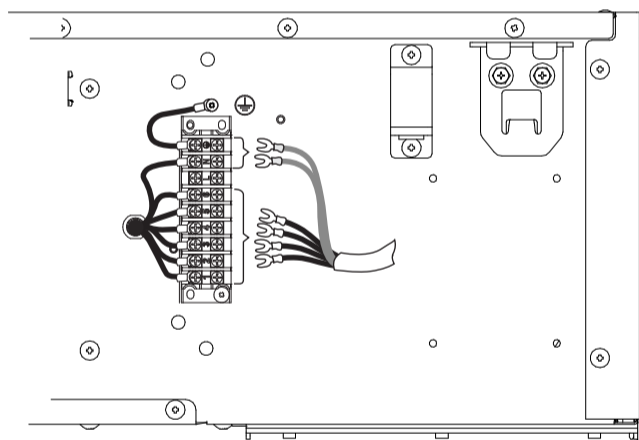
- 1 Αφαιρέστε το κάλυμμα των ακροδεκτών, τον ακροδέκτη, τον σφικτήρα του καλωδίου, το καλώδιο γείωσης και τα καλώδια του μοτέρ του ανεμιστήρα.



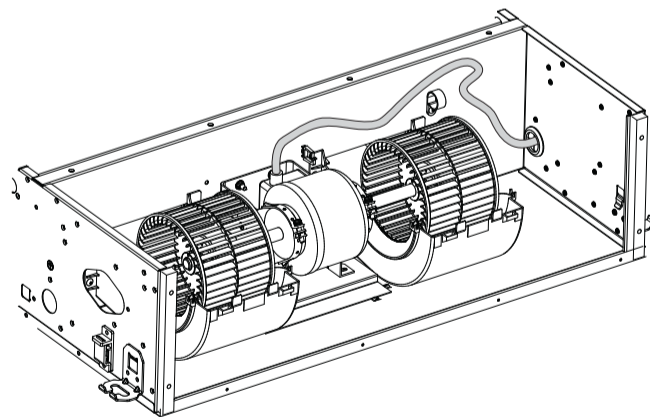
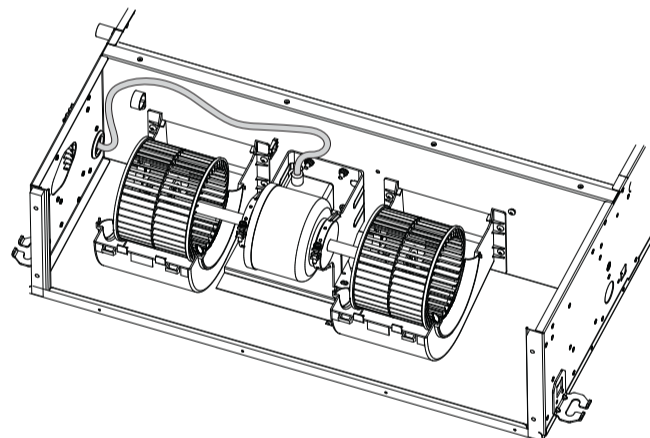
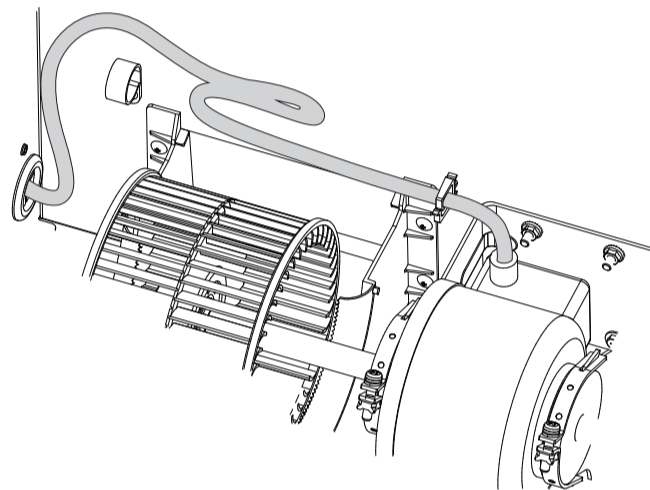
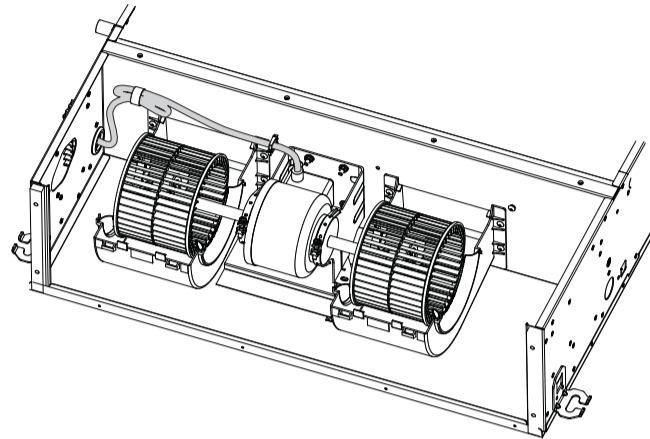
- 2 Ελευθερώστε τα καλώδια του μοτέρ του ανεμιστήρα από τους σφικτήρες των καλωδίων.



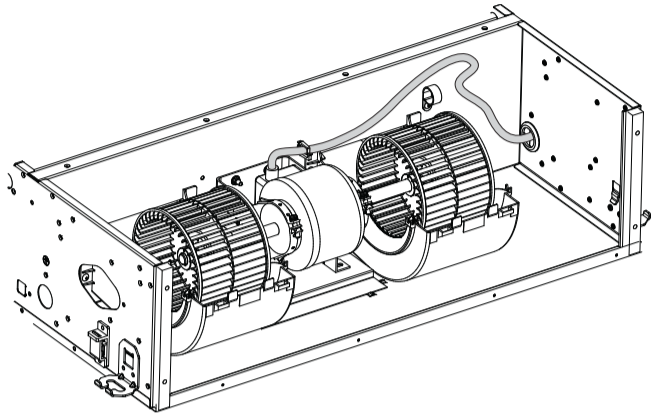
- 3 Αλλάξτε την κατεύθυνση των καλωδίων του μοτέρ του ανεμιστήρα.



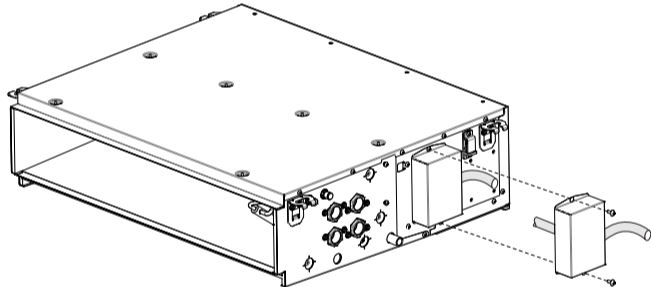
- 4 Στερεώστε τα καλώδια στην πλάκα διαχωρισμού. Βεβαιωθείτε ότι τα μη χρησιμοποιούμενα καλώδια στερεώνονται καλά με σφικτήρα καλωδίων στη νέα θέση.



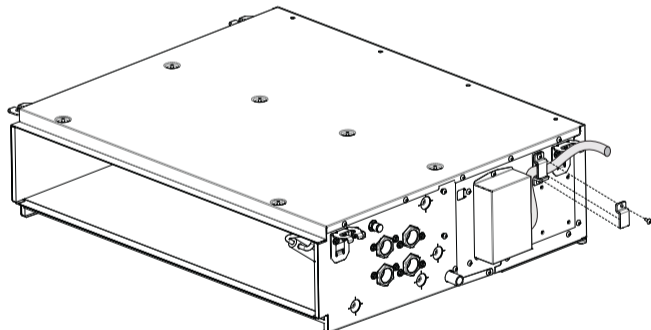
5 Εγκατάσταση



5 Στερεώστε τα εξαρτήματα που έχουν αφαιρεθεί στη μονάδα.



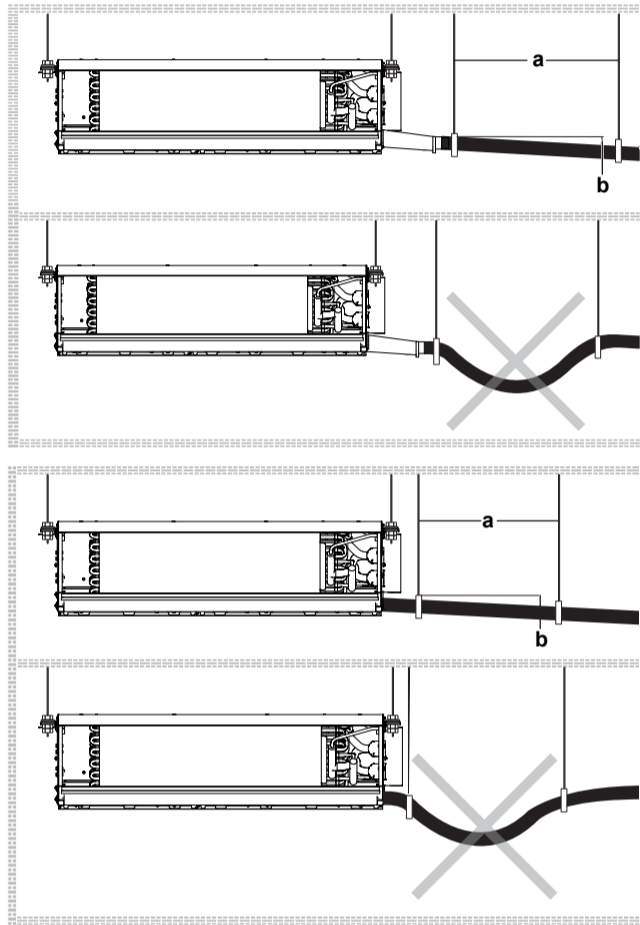
6 Εγκαταστήστε την υποδοχή καλωδίου που έχει αφαιρεθεί για να στερεώσετε το καλώδιο.



5.5 Σύνδεση της σωλήνωσης αποστράγγισης

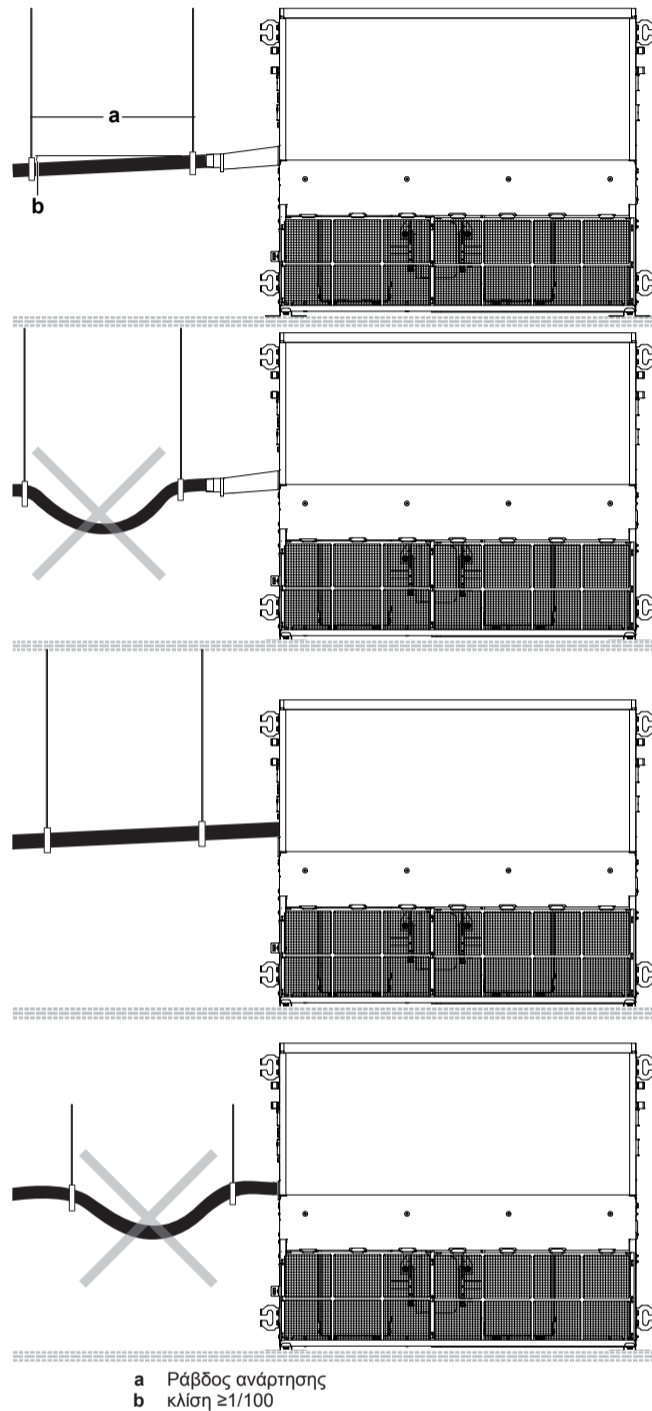
5.5.1 Για να εγκαταστήσετε τη σωλήνωση αποστράγγισης στη μονάδα

Οριζόντια εγκατάσταση



6 Αρχική εκκίνηση

Κατακόρυφη εγκατάσταση

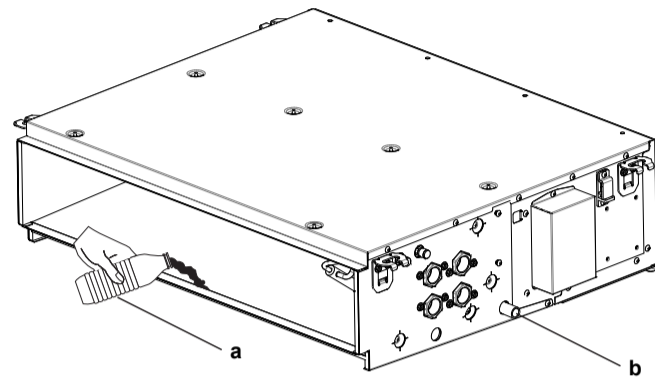


Διατηρείτε τη σωλήνωση όσο το δυνατόν πιο κοντή και γειρετέ την προς τα κάτω με κλίση τουλάχιστον 1/100, ώστε να μην μένει παγιδευμένος αέρας μέσα στο σωλήνα.

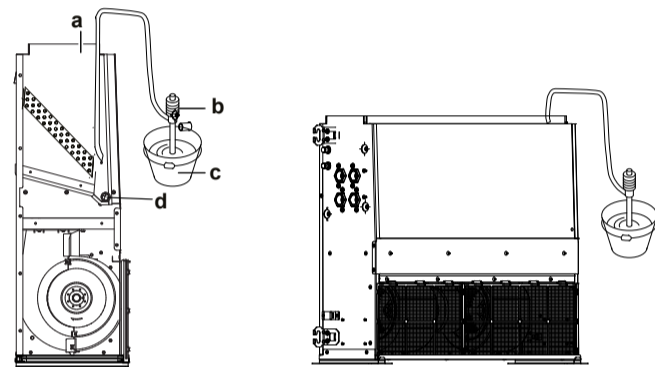
5.5.2 Για να συνδέσετε τη σωλήνωση αποστράγγισης

Αφού ολοκληρωθούν οι εργασίες σωληνώσεων αποστράγγισης, ελέγξτε εάν η αποστράγγιση πραγματοποιείται με ομαλή ροή.

- 1 Προσθέστε περίπου 1 λίτρο νερού σταδιακά, μέσω της εξόδου αέρα.



- a Πλαστική φιάλη νερού
b Υποδοχή αποστράγγισης



- a Εξαγωγή αέρα
b Φορητή αντλία
c Κουβάζ
d Υποδοχή αποστράγγισης

- 2 Ελέγξτε τη ροή αποστράγγισης και επιβεβαιώστε τη λειτουργία της αποστράγγισης κοιτάζοντας την υποδοχή αποστράγγισης.

6 Αρχική εκκίνηση

Προμηθεύστε δεδομένα οικολογικού σχεδιασμού σύμφωνα με την (ΕΕ) 2016/2281 στον πελάτη. Αυτά τα δεδομένα μπορούν να βρεθούν στον οδηγό αναφοράς του τεχνικού εγκατάστασης ή μέσω του ιστότοπου Daikin.

ΕΙΔΟΠΟΙΗΣΗ

Να λειτουργείτε ΠΑΝΤΑ τη μονάδα με θερμίστορ ή/και αισθητήρες/διακόπτες πίεσης. Σε ΑΝΤΙΘΕΤΗ περίπτωση, μπορεί να καεί ο συμπιεστής.

6.1 Εκτέλεση μιας δοκιμαστικής λειτουργίας

Μετά από την εγκατάσταση, ο τεχνικός εγκατάστασης υποχρεούται να επαληθεύσει τη σωστή λειτουργία. Εάν κάτι δεν πάει καλά στη μονάδα και δεν λειτουργεί, επικοινωνήστε με τον τοπικό αντιπρόσωπο.

ΕΙΔΟΠΟΙΗΣΗ

Μην διακόπτετε τη δοκιμαστική λειτουργία.

ΕΙΔΟΠΟΙΗΣΗ

ΜΗΝ προσπαθήσετε να αποσυναρμολογήσετε μόνοι σας το σύστημα: η αποσυναρμολόγηση του συστήματος, ο χειρισμός του ψυκτικού, του λαδιού και των άλλων τμημάτων ΠΡΕΠΕΙ να συμμορφώνονται με την ισχύουσα νομοθεσία. Οι μονάδες ΠΡΕΠΕΙ να υποβάλλονται σε επεξεργασία σε ειδική εγκατάσταση επεξεργασίας για επαναχρησιμοποίηση, ανακύκλωση και ανάκτηση.

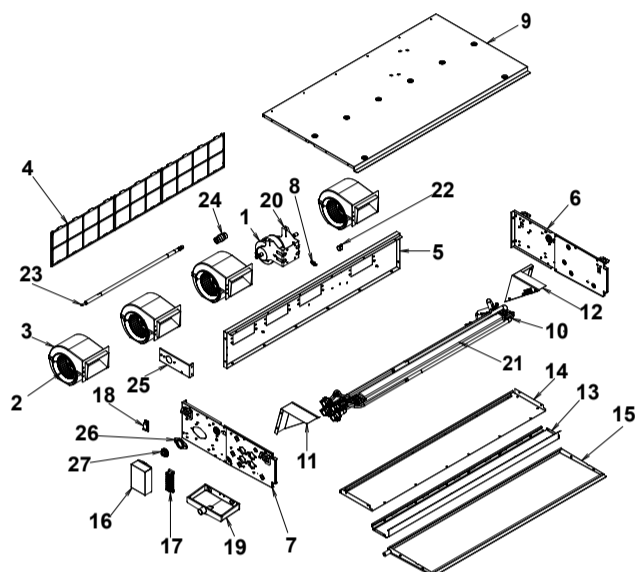
7 Συντήρηση και σέρβις



ΠΡΟΕΙΔΟΠΟΙΗΣΗ

Λάβετε επαρκή μέτρα ώστε να αποτρέψετε τη χρήση της μονάδας ως φωλιάς από μικρά ζώα. Εάν μικρά ζώα έλθουν σε επαφή με ηλεκτροφόρα τμήματα ενδέχεται να προκληθεί δυσλειτουργία, καπνός ή πυρκαγιά.

Χρησιμοποιήστε κατάλληλο εργαλείο για την αφαίρεση των βιδών. Το προϊόν μπορεί να αποσυναρμολογηθεί όπως φαίνεται παρακάτω.



FWE-D Λίστα οδηγιών ανακύκλωσης	
Υλικά	Στοιχείο
Ηλεκτρικό εξάρτημα (μοτέρ ανεμιστήρα + πυκνωτής)	1
Αλουμίνιο (πτερύγιο) + χαλκός (σωλήνας) + γαλβανισμένος χάλυβας (πλάκα) + ορείχαλκος	10
Πλαστικό	2, 18, 8, 22, 27
Πλαστικό + μέταλλο	3, 17, 24
Πλαστικό (σκελετός) + πλαστικό (πλέγμα)	4
Γαλβανισμένος χάλυβας	5, 9, 13, 14, 16, 20, 23, 25, 26
Γαλβανισμένος χάλυβας + αφρός πλαστικού	6, 7, 11, 12, 15, 19
Πλαστικός αφρός	21

6.2 Λίστα ελέγχου πριν την έναρξη λειτουργίας

Μετά από την εγκατάσταση της μονάδας, ελέγξτε αρχικά τα στοιχεία που αναγράφονται παρακάτω. Μόλις εξασφαλιστεί η ικανοποίηση όλων των ελέγχων, η μονάδα πρέπει να κλείσει. Ενεργοποιήστε τη μονάδα αφού την κλείσετε.

<input type="checkbox"/>	Εγκατάσταση Βεβαιωθείτε ότι η μονάδα είναι σωστά εγκατεστημένη για να αποφύγετε ασυνήθιστους θορύβους και κραδασμούς κατά την εκκίνησή της.
<input type="checkbox"/>	Αποστράγγιση Βεβαιωθείτε ότι η αποστράγγιση ρέει απρόσκοπτα. Πιθανή συνέπεια: Μπορεί να στάζει νερό συμπύκνωσης.
<input type="checkbox"/>	Τάση παροχής ρεύματος Ελέγξτε την τάση παροχής ρεύματος στον τοπικό πίνακα παροχής. Η τάση ΠΡΕΠΕΙ ΝΑ αντιστοιχεί στην τάση που επισημαίνεται στην ετικέτα επάνω στη μονάδα.

<input type="checkbox"/>	Σύνδεση γείωσης Βεβαιωθείτε ότι οι αγωγοί γείωσης έχουν συνδεθεί σωστά και ότι οι ακροδέκτες γείωσης έχουν βιδωθεί σφιχτά.
<input type="checkbox"/>	Ασφάλειες, ασφαλειοδιακόπτες ή προστατευτικές διατάξεις Βεβαιωθείτε ότι οι ασφάλειες, οι ασφαλειοδιακόπτες ή οι τοπικά εγκαταστημένες διατάξεις προστασίας είναι του μεγέθους και τύπου που περιγράφεται στο κεφάλαιο "4.4 Προετοιμασία των ηλεκτρικών καλωδιώσεων" στη σελίδα 114 . Βεβαιωθείτε ότι καμία ασφάλεια ή προστατευτική διάταξη δεν έχει παρακαμφθεί.
<input type="checkbox"/>	Εσωτερική καλωδίωση Κάντε έναν οπτικό έλεγχο του κουτιού ηλεκτρικών εξαρτημάτων και του εσωτερικού της μονάδας για χαλαρές συνδέσεις ή ηλεκτρικά εξαρτήματα που έχουν υποστεί βλάβη.
<input type="checkbox"/>	Ελαττωματικός εξοπλισμός Ελέγξτε το εσωτερικό της μονάδας για ελαττωματικά στοιχεία ή για παραμορφωμένους σωλήνες.
<input type="checkbox"/>	Είσοδος/έξοδος αέρα Βεβαιωθείτε ότι η είσοδος και η έξοδος αέρα της μονάδας ΔΕΝ εμποδίζεται από χαρτιά, χαρτόνια και άλλα υλικά.

7 Συντήρηση και σέρβις



ΕΙΔΟΠΟΙΗΣΗ

Η συντήρηση ΠΡΕΠΕΙ να γίνεται από εξουσιοδοτημένο τεχνικό εγκατάστασης ή τεχνικό σέρβις.

Συνιστούμε την πραγματοποίηση συντήρησης τουλάχιστον μία φορά το χρόνο. Παρόλα αυτά, η ισχύουσα νομοθεσία μπορεί να απαιτεί συχνότερη συντήρηση.

7.1 Για να καθαρίσετε το φίλτρο αέρα

Πότε

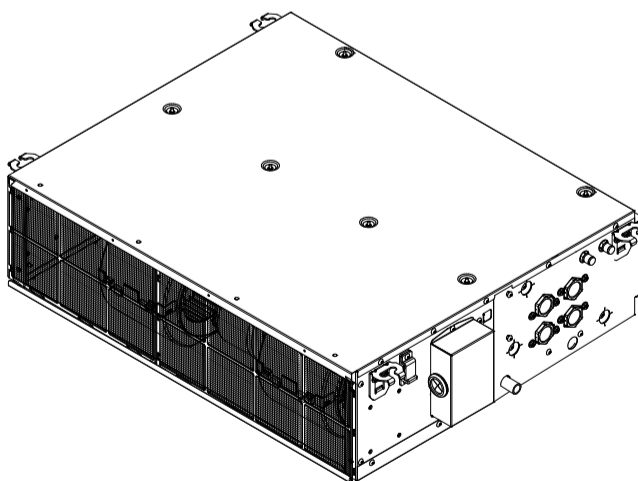
- Καθαρίζετε κάθε 6 μήνες. Εάν ο αέρας στον χώρο είναι εξαιρετικά επιβαρυνμένος, αυξήστε τη συχνότητα καθαρισμού.
- Αν γίνει αδύνατος ο καθαρισμός των ακαθαρσιών, αλλάξτε το φίλτρο αέρα με γνήσιο εξοπλισμό.

Πώς

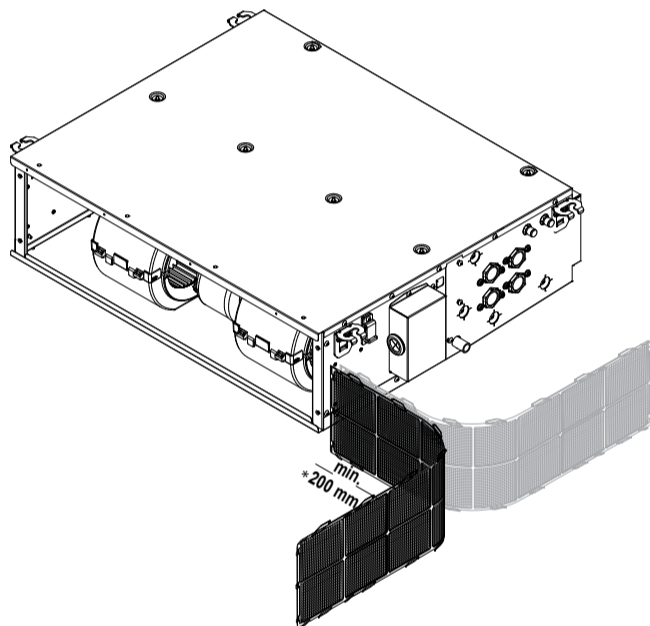
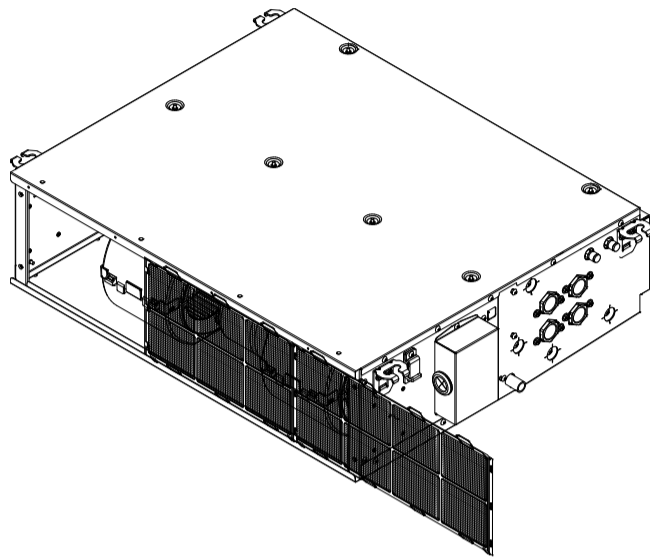
- Απενεργοποιήστε την παροχή ρεύματος.
- Το φίλτρο αέρα μπορεί να εγκατασταθεί σε 1 ή 2 θέσεις σε αυτό το προϊόν (πλάι και κάτω μέρος). Αφαιρέστε το φίλτρο σύροντας, όπως φαίνεται παρακάτω.

Οριζόντια εγκατάσταση

Αφαιρέστε το φίλτρο σύροντας.

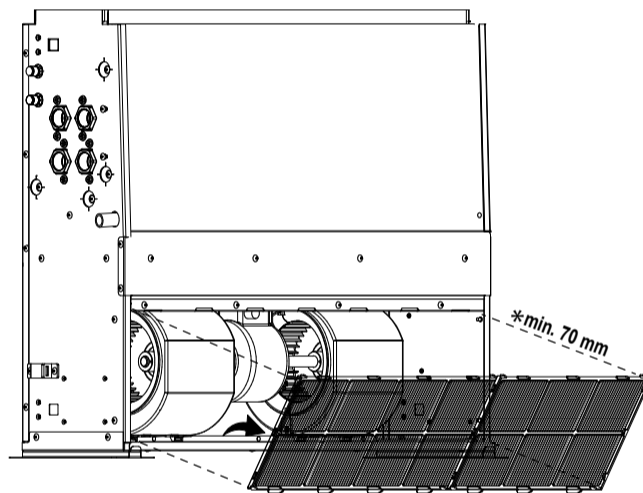
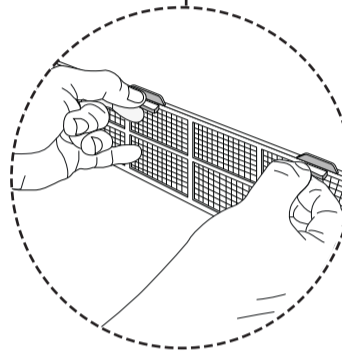
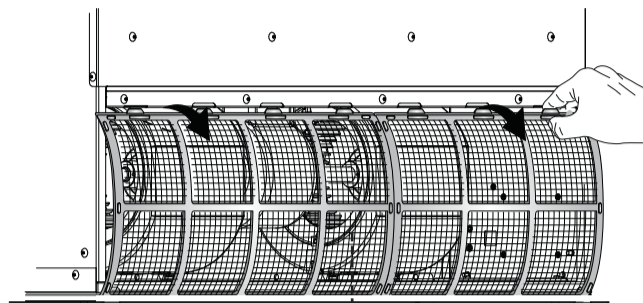
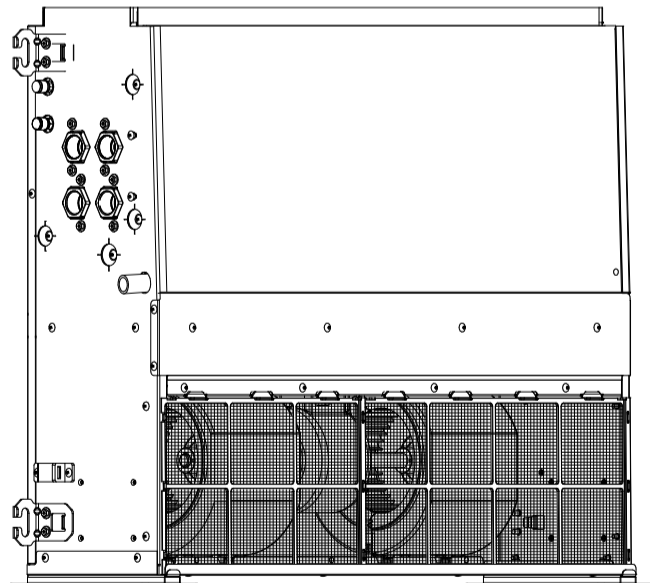


7 Συντήρηση και σέρβις

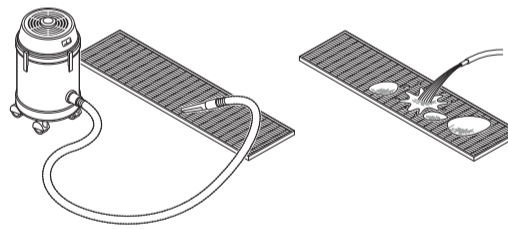


Κατακόρυφη εγκατάσταση

Σπρώξτε τις γλωττίδες στο φίλτρο και τραβήξτε το προς τα πίσω.



3 Χρησιμοποιήστε μια ηλεκτρική σκούπα ή πλύνετε το φίλτρο αέρα με νερό. Όταν το φίλτρο αέρα είναι πολύ βρώμικο, χρησιμοποιήστε μια μαλακή βούρτσα και ένα ουδέτερο απορρυπαντικό.



4 Επανατοποθετήστε το φίλτρο αέρα στην αρχική του θέση.

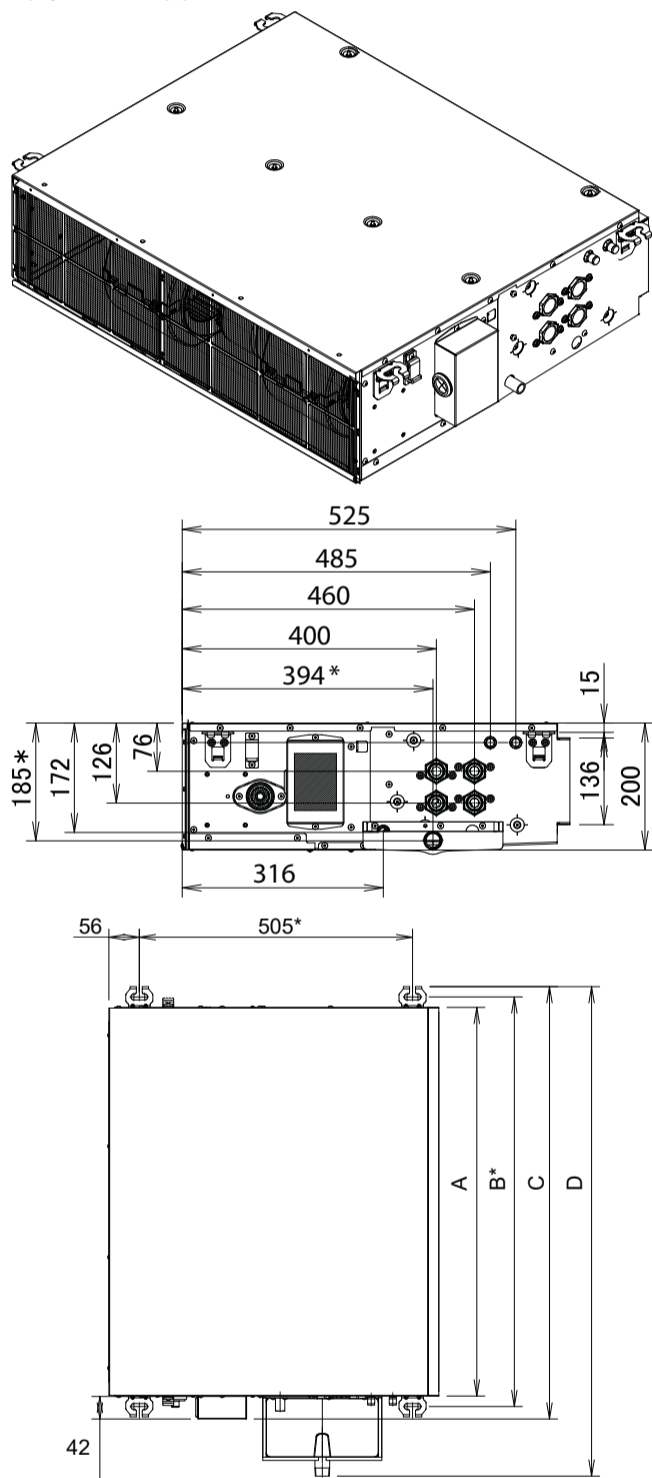
8 Τεχνικά χαρακτηριστικά

8 Τεχνικά χαρακτηριστικά

- **Υποσύνολο** των τελευταίων τεχνικών δεδομένων υπάρχει στην περιφερειακή ιστοσελίδα Daikin (δημόσια προσβάσιμη).
- **Το πλήρες σετ** των τελευταίων τεχνικών δεδομένων υπάρχει στην Daikin Business Portal (απαιτείται έλεγχος ταυτότητας).

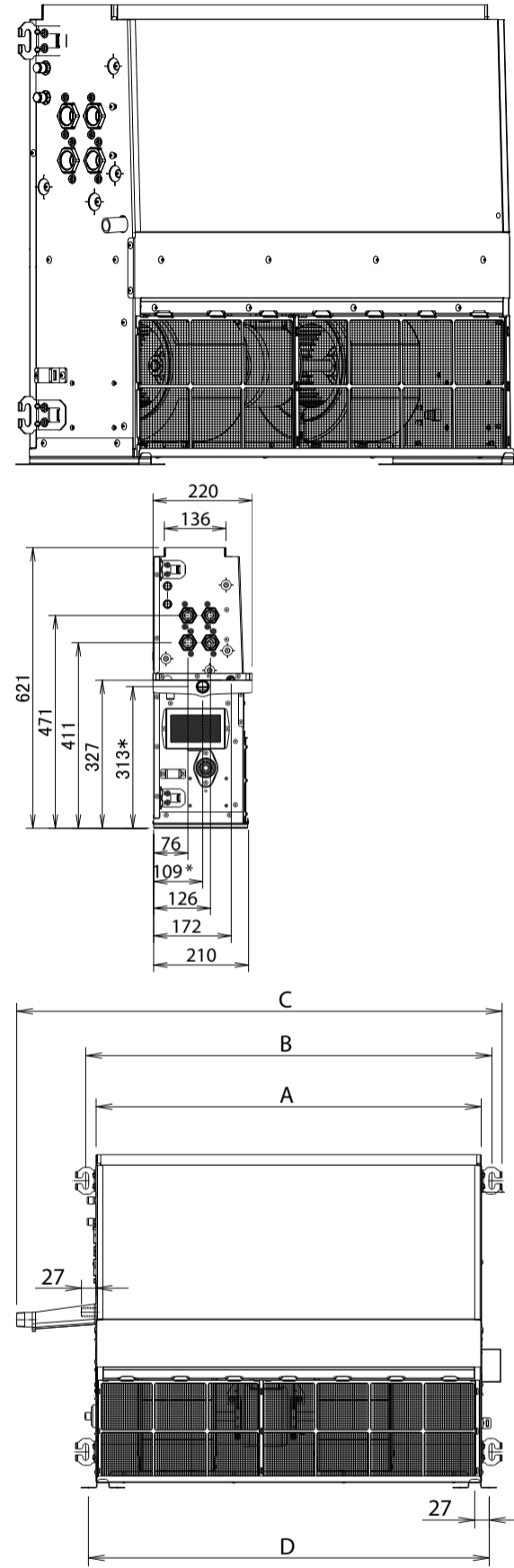
8.1 Διαστάσεις

Οριζόντια άποψη



Μονάδες: mm	A	B	C	D
FWE03~05	719	757	799	909
FWE06	919	957	999	1109
FWE07~11	1119	1157	1199	1309

Κατακόρυφη άποψη



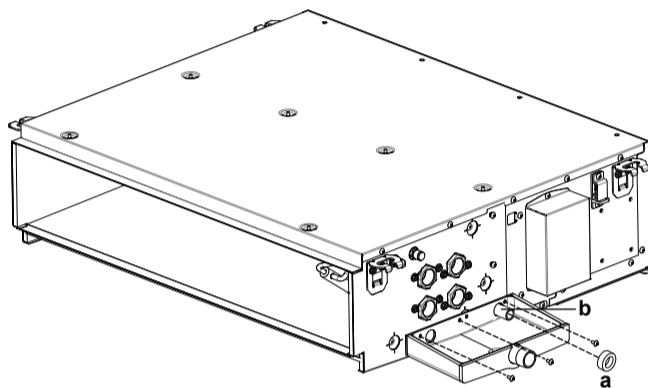
Μονάδα: mm	A	B	C	D
FWE03~05	719	757	909	747
FWE06	919	957	1109	947
FWE07~11	1119	1157	1309	1147

8 Τεχνικά χαρακτηριστικά

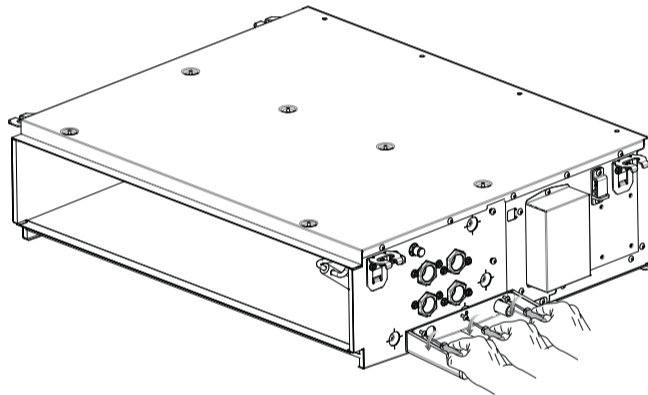
Ρυθμιζόμενη λεκάνη αποστράγγισης (οριζόντια)

⚠ ΠΡΟΣΟΧΗ

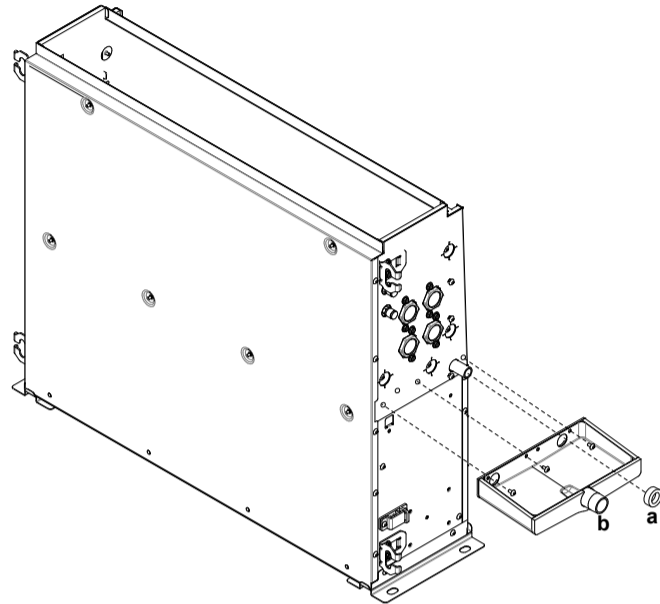
Βεβαιωθείτε ότι έχετε συνδέσει το λάστιχο της υποδοχής αποστράγγισης μετά από την εγκατάσταση της επιπρόσθετης λεκάνης αποστράγγισης. Διαφορετικά, η συμπύκνωση στην κύρια μονάδα ή στους σωλήνες νερού, οι ακαθαρσίες στο φίλτρο αέρα ή ο αποκλεισμός της αποστράγγισης ενδέχεται να προκαλέσουν την εμφάνιση σταγόνων και να αλλοιώσουν ή να φθείρουν το εν λόγω αντικείμενο.



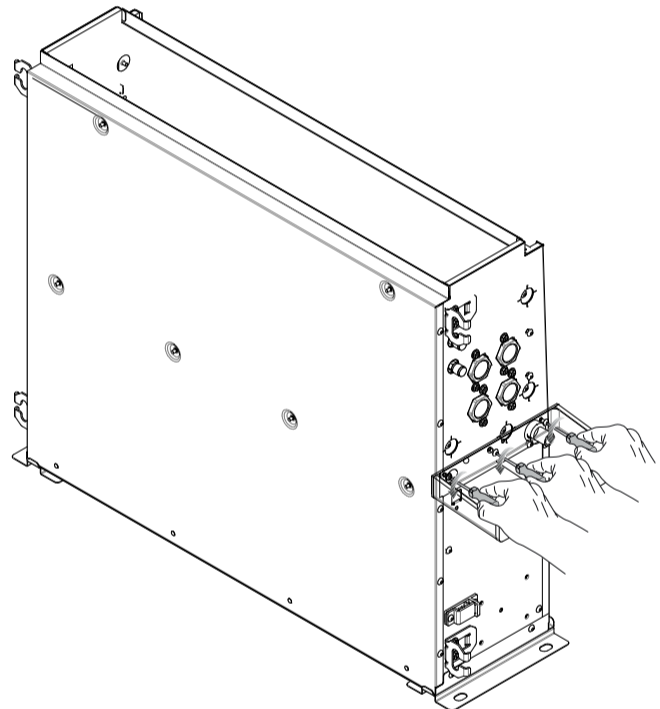
- a Λάστιχο υποδοχής αποστράγγισης
- b Επιπρόσθετη υποδοχή αποστράγγισης



Ρυθμιζόμενη λεκάνη αποστράγγισης (κατακόρυφο)




- a Λάστιχο υποδοχής αποστράγγισης
- b Επιπρόσθετη υποδοχή αποστράγγισης



8 Τεχνικά χαρακτηριστικά

8.2 Διάγραμμα καλωδίωσης

Στον ακροδέκτη

Αγγλικά	Μετάφραση
	Σύνδεση
X1M	Κεντρικός ακροδέκτης
-----	Προμήθεια από το τοπικό εμπόριο
	PCB
	Προστατευτική γείωση
	Γείωση
---■---	Τοπικός αγωγός

Καλώδιο κινητήρα ανεμιστήρα

WHT	Λευκό
GRN	Πράσινο
RED	Κόκκινο
ORG	Πορτοκαλί
BRN	Καφέ
YLW	Κίτρινο
BLU	Μπλε
GRN/YLW	Πράσινο/Κίτρινο
C1	Πυκνωτής
F1U	Ασφάλεια
X1M	Πλακέτα ακροδεκτών
M	Μοτέρ ανεμιστήρα

8.3 Απαιτήσεις στοιχείων για οικολογικό σχεδιασμό

Ακολουθήστε τα βήματα που παρουσιάζονται στη συνέχεια για να δείτε τα δεδομένα Energy Label – Lot 21 της μονάδας και των συνδυασμών εξωτερικών/εσωτερικών μονάδων.

1 Ανοίξτε την ακόλουθη ιστοσελίδα: <https://energylabel.daikin.eu/>

2 Για να συνεχίσετε, επιλέξτε:

- «Συνέχεια σε Ευρώπη» για τη διεθνή τοποθεσία Web.
- «Άλλη χώρα» για την τοποθεσία μιας συγκεκριμένης χώρας.

Αποτέλεσμα: Κατευθύνεστε στην ιστοσελίδα «Εποχιακή απόδοση».

3 Στην ενότητα "Eco Design – Ener LOT 21", επιλέξτε "Δημιουργία των δεδομένων σας".

Αποτέλεσμα: Οδηγείστε στην ιστοσελίδα "Εποχιακή απόδοση (LOT 21)".

4 Ακολουθήστε τις οδηγίες στην ιστοσελίδα για να επιλέξετε τη σωστή μονάδα.

Αποτέλεσμα: Μόλις ολοκληρωθεί η επιλογή, το φύλλο δεδομένων LOT 21 μπορεί να προβληθεί ως PDF ή ιστοσελίδα HTML.



ΠΛΗΡΟΦΟΡΙΕΣ

Από την ιστοσελίδα που προκύπτει, μπορείτε να δείτε και άλλα έγγραφα (π.χ. εγχειρίδια, ...).

Índice

Índice

1	Acerca da documentação	128
1.1	Acerca deste documento.....	128
1.2	Significado dos avisos e símbolos.....	128
1.3	Geral.....	128
2	Acerca da caixa	129
2.1	Descrição geral: Sobre a caixa.....	129
2.2	Desempacotamento e manuseamento do ventilador-convetor.....	129
2.3	Remoção dos acessórios do ventilador-convetor.....	129
3	Acerca da unidade	129
3.1	Descrição geral: Sobre as unidades e opções.....	129
3.2	Identificação.....	130
3.2.1	Etiqueta de identificação: Ventilador-convectores.....	130
4	Preparação	130
4.1	Descrição geral: Preparação.....	130
4.2	Preparação do local de instalação.....	130
4.3	Preparação da tubagem de água.....	131
4.4	Preparação da instalação eléctrica.....	131
4.4.1	Acerca da preparação das ligações eléctricas.....	131
5	Instalação	132
5.1	Montagem do ventilador-convetor.....	132
5.1.1	Instalação horizontal.....	132
5.1.2	Instalação vertical.....	133
5.2	Mudar da instalação horizontal para a instalação vertical.....	134
5.3	Ligação da tubagem de água.....	135
5.3.1	Para ligar a tubagem de água.....	135
5.3.2	Enchimento do circuito de água.....	135
5.4	Efectuação das ligações eléctricas.....	136
5.4.1	Sobre a ligação da instalação eléctrica.....	136
5.4.2	Diretrizes ao ligar a instalação eléctrica.....	136
5.4.3	Efectuar as ligações eléctricas do ventilador-convetor.....	136
5.4.4	Mudar a direcção das ligações eléctricas.....	136
5.5	Ligação da tubagem de drenagem.....	138
5.5.1	Instalação da tubagem de drenagem na unidade.....	138
5.5.2	Verificação da tubagem de drenagem.....	139
6	Activação	139
6.1	Efectuar um teste de funcionamento.....	139
6.2	Lista de verificação antes da activação.....	139
7	Manutenção e assistência	140
7.1	Limpeza do filtro de ar.....	140
8	Dados técnicos	142
8.1	Dimensões.....	142
8.2	Esquema eléctrico.....	144
8.3	Requisitos de informação do Eco Design.....	145

1 Acerca da documentação

1.1 Acerca deste documento

Público-alvo

Instaladores autorizados

INFORMAÇÕES

Este aparelho deve ser utilizado por utilizadores especializados ou com formação em lojas, indústrias ligeiras e em quintas, ou para utilização comercial e doméstica por pessoas não qualificadas.

Conjunto de documentação

Este documento faz parte de um conjunto de documentação. O conjunto completo é constituído por:


As actualizações mais recentes da documentação fornecida podem estar disponíveis no site regional Daikin ou através do seu representante.

A documentação original está escrita em inglês. Todos os outros idiomas são traduções.


Manual de instalação do ventilador-convetor:

- Instruções de instalação
- Formato: Papel (na caixa do ventilador-convetor)


1.2 Significado dos avisos e símbolos

 **PERIGO**
Indica uma situação que resulta em morte ou ferimentos graves.


 **PERIGO: RISCO DE ELECTROCUSSÃO**
Indica uma situação que poderá resultar em electrocussão.


 **PERIGO: RISCO DE QUEIMADURAS**
Indica uma situação que pode resultar em queimaduras devido a temperaturas extremamente quentes ou frias.

 **PERIGO: RISCO DE EXPLOSÃO**
Indica uma situação que pode resultar em explosão.




 **AVISO**
Indica uma situação que pode resultar em morte ou ferimentos graves.

 **ADVERTÊNCIA: MATERIAL INFLAMÁVEL**

 **CUIDADO**
Indica uma situação que pode resultar em ferimentos menores ou moderados.

 **NOTIFICAÇÃO**
Indica uma situação que pode resultar em danos materiais ou no equipamento.

 **INFORMAÇÕES**
Apresenta dicas úteis ou informações adicionais.

Símbolo	Explicação
	Antes da instalação, leia o manual de instalação e operação e a folha das instruções de ligação.
	Antes de realizar trabalhos de manutenção e assistência técnica, leia o manual de assistência.
	Para obter mais informações, consulte o guia para instalação e utilização.

1.3 Geral

Se NÃO tiver a certeza de como instalar ou utilizar a unidade, contacte o seu representante.

2 Acerca da caixa

NOTIFICAÇÃO

A instalação ou fixação inadequada do equipamento ou dos acessórios pode provocar choques elétricos, curto-circuitos, fugas, incêndios ou outros danos no equipamento. Utilize apenas acessórios, equipamento opcional e peças sobresselentes fabricadas ou aprovadas pela Daikin.

AVISO

Certifique-se de que a instalação, os testes e os materiais aplicados cumprem a legislação aplicável (acima das instruções descritas na documentação da Daikin).

CUIDADO

Utilize equipamento de proteção pessoal adequado (luvas de proteção, óculos de segurança...) quando realizar tarefas de instalação, manutenção ou intervenções técnicas ao sistema.

AVISO

Rasgue e deite fora os sacos plásticos de embalagem, para que não fiquem ao alcance de ninguém, em especial de crianças. Risco possível: asfixia.

AVISO

Tome medidas adequadas de modo a evitar que a unidade possa ser utilizada como abrigo para animais pequenos. Se entrarem em contacto com os componentes elétricos, os animais pequenos podem provocar avarias, fumo ou um incêndio.

CUIDADO

NÃO toque na entrada de ar nem nas aletas de alumínio da unidade.

NOTIFICAÇÃO

- NÃO coloque nenhum objeto nem equipamento em cima da unidade.
- NÃO se sente, trepe nem se apoie na unidade.

PERIGO: RISCO DE ELECTROCUSSÃO

- Certifique-se de que o sistema está ligado à terra correctamente.
- Desligue a fonte de alimentação antes de efectuar intervenções técnicas.
- Monte a tampa da caixa de distribuição antes de ligar a fonte de alimentação.

CUIDADO

- Verifique se o local de instalação pode suportar o peso da unidade. Uma instalação deficiente é perigosa. Também pode causar vibrações ou ruídos de funcionamento anormais.
- Preveja espaço suficiente para assistência técnica.
- NÃO instale a unidade de modo que esta esteja em contacto com o tecto ou a parede, pois isto pode causar vibrações.

PERIGO: RISCO DE ELECTROCUSSÃO

Não utilize os ventilo-conectores com as mãos molhadas. Pode ocorrer um choque eléctrico.

2 Acerca da caixa

2.1 Descrição geral: Sobre a caixa

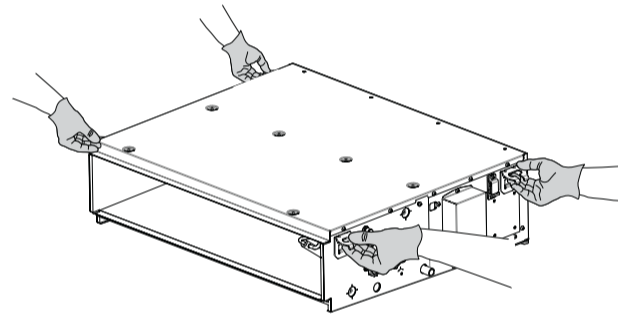
Tenha presente as seguintes informações:

- Aquando da entrega, a unidade DEVE ser verificada quanto à existência de danos. Quaisquer danos detectados DEVEM ser imediatamente comunicados ao agente de reclamações da transportadora.
- Transporte a unidade embalada até ficar o mais próxima possível da posição de instalação final, para impedir danos no transporte.
- Prepare com antecedência o percurso pelo qual pretende trazer a unidade para o interior.

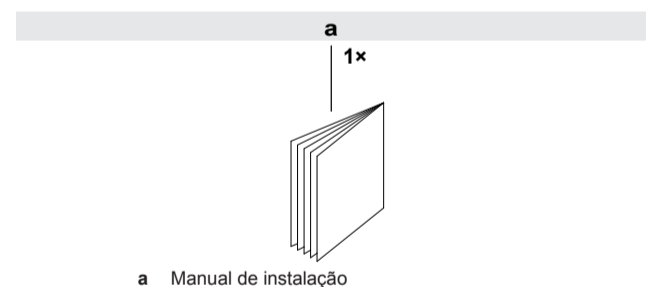
2.2 Desempacotamento e manuseamento do ventilo-convector

Quando levantar a unidade, utilize uma faixa ou fita de material macio ou placas de protecção em conjunto com uma corda. Desta forma, evita danos ou arranhões na unidade.

- 1 Levante a unidade pelos suportes de suspensão, sem exercer pressão nos demais componentes. Tenha especial cuidado com as tubagens de drenagem e o isolamento térmico.



2.3 Remoção dos acessórios do ventilo-convector



3 Acerca da unidade

3.1 Descrição geral: Sobre as unidades e opções

Esta secção contém informações sobre:

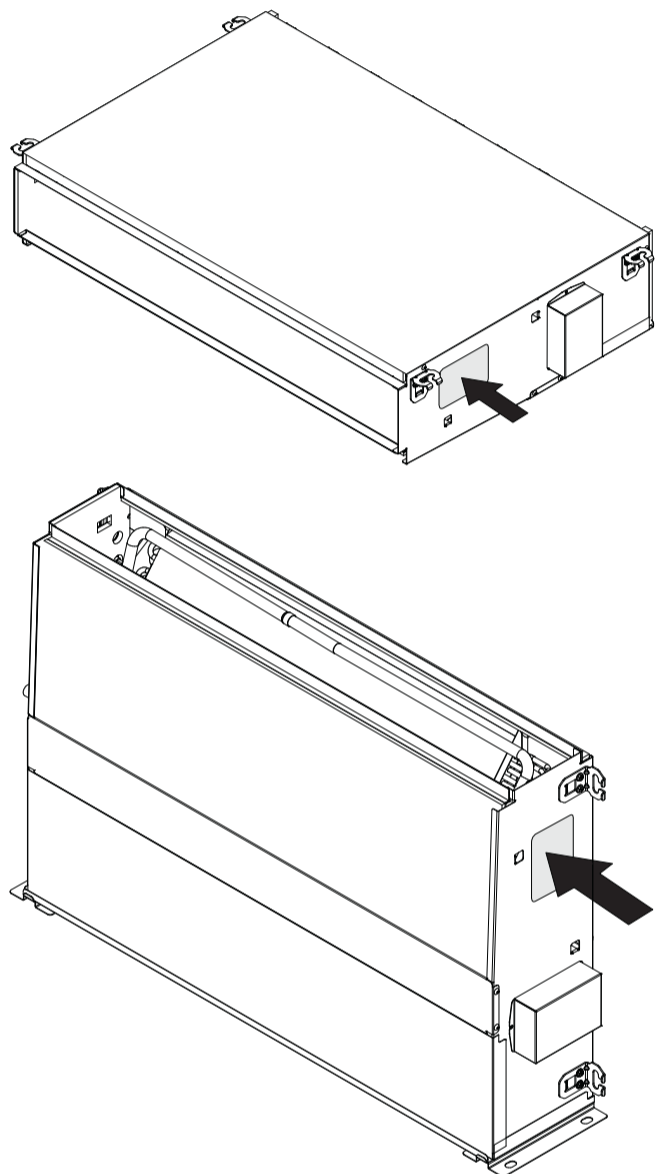
- Identificação do ventilo-convector.

4 Preparação

3.2 Identificação

3.2.1 Etiqueta de identificação: Ventiladores

Localização



Identificação do modelo

Exemplo: FW E 03 D A F N 5 V3 — L

Código	Descrição
FW	Ventilo-convetor de água
E	Pressão estática baixa Flex (LSP) sem caixa
03	Classe de capacidade: 03=1,5 kW
D	Alteração de modelo maior (A a Z)
A	Alteração menor
F	4 tubos
N	Sem válvula
5	Fábrica Hendek
V3	Motor da ventoinha / monofásico / 50 Hz / 220~240 V
—	Nenhuma opção

Código	Descrição
L	S: Água do lado esquerdo – Ligação eléctrica do lado esquerdo L: Água do lado esquerdo – Ligação eléctrica do lado direito T: Água do lado direito – Ligação eléctrica do lado direito R: Água do lado direito – Ligação eléctrica do lado esquerdo

4 Preparação

4.1 Descrição geral: Preparação

Esta secção descreve o que tem de fazer e saber antes de se dirigir ao local.

Contém informações sobre:

- Preparação do local de instalação
- Preparação da tubagem de água
- Preparação das ligações eléctricas

4.2 Preparação do local de instalação

AVISO

NÃO coloque objectos que possam ficar molhados por baixo da unidade da ventoinha. Caso contrário, a condensação na unidade principal ou nos tubos de água, a sujidade no filtro do ar ou o entupimento do dreno podem provocar pingos de água, resultando em danos ou avaria do objecto em questão.

NOTIFICAÇÃO

Contacte o seu revendedor para assegurar que a pressão estática externa da unidade não é excedida.

Não instale nem utilize a unidade em divisões com as seguintes características:

- Locais com óleo mineral ou cheios de vapor de óleo ou borrifos, como as cozinhas (os componentes plásticos podem deteriorar-se).
- Onde exista gás corrosivo, como o gás sulfuroso. A tubagem em cobre e os pontos soldados podem sofrer corrosão.
- Onde o ar contenha níveis elevados de sal, como, por exemplo, junto ao mar, e onde haja grande flutuação da tensão eléctrica. (por exemplo, em fábricas). Evitar também veículos ou embarcações.
- Em locais onde existam máquinas que emitam ondas electromagnéticas. As ondas electromagnéticas podem perturbar o sistema de controlo, provocando avarias no equipamento.
- Em locais onde exista o risco de incêndio devido à fuga de gases inflamáveis (exemplo: diluente ou gasolina), fibra de carbono e pó inflamável.

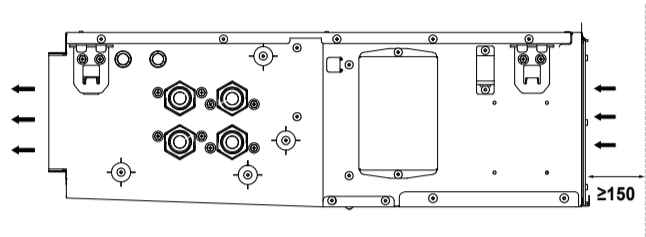
Seleccione um local de instalação onde se verifiquem as seguintes condições, além da aprovação do cliente.

O espaço em redor da unidade deve ser adequado para prestação de assistência técnica e manutenção. O espaço em redor da unidade deve permitir uma boa circulação de ar (veja o espaço necessário para a instalação).

4 Preparação

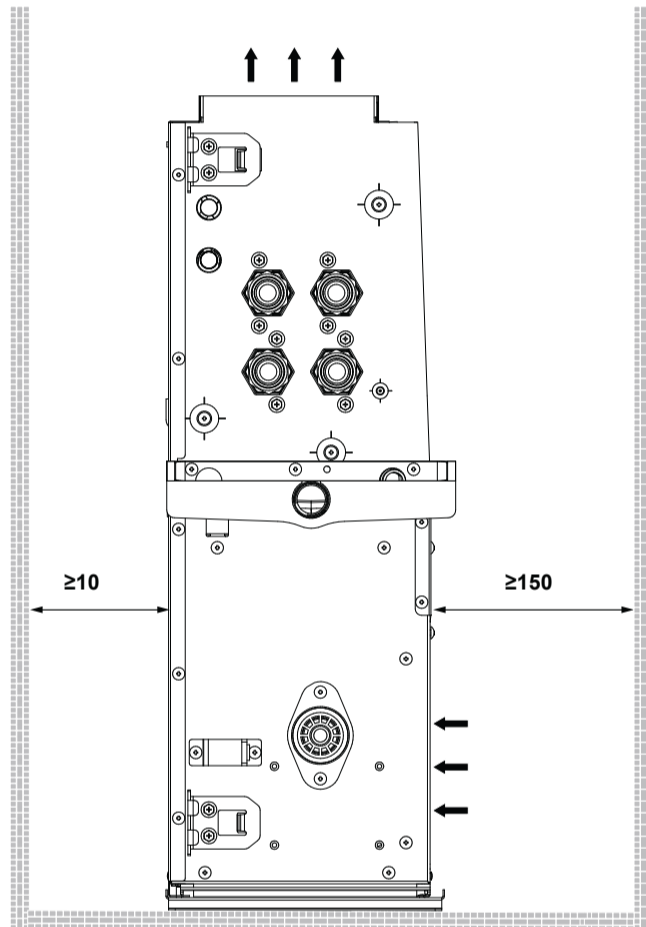
Instalação horizontal

A unidade deve ser instalada a $\geq 2,5$ m do chão no local onde está pendurada no tecto.



Instalação vertical

É necessário considerar o espaço para a manutenção do filtro vertical conforme indicado.



CUIDADO

Não utilize varões roscados em caso de instalação vertical. A instalação vertical deve ser realizada com o kit de instalação vertical (ESFH01DS).

4.3 Preparação da tubagem de água

A unidade está equipada com uma entrada de água e uma saída de água para ligação ao circuito de água. O circuito de água deve ser fornecido por um instalador e deve estar em conformidade com a legislação aplicável.



NOTIFICAÇÃO

A unidade só deve ser usada num sistema de água fechado. Se for aplicada num sistema de água aberto, pode verificar-se o aparecimento de níveis excessivos de corrosão nas tubagens de água.

Antes de realizar a instalação da tubagem de água, verifique os pontos seguintes:

- A pressão máxima da água é de 1 MPa.
- A temperatura mínima da água é de 5°C.
- A temperatura máxima da água é de 90°C.
- Certifique-se de que instala os componentes em tubagens locais que consigam suportar a pressão da água e a temperatura.
- Tome as devidas precauções no circuito de água para garantir que a pressão da água nunca ultrapassará a pressão de funcionamento máxima permitida.
- Instale um sistema adequado de drenagem para a válvula de segurança (caso esteja instalada), para evitar que a água entre em contacto com os componentes eléctricos.
- Instale válvulas de corte na unidade, para que possa ser efectuada a assistência técnica normal sem drenar o sistema.
- Instale torneiras de drenagem em todos os pontos baixos do sistema, para permitir uma drenagem total do circuito durante a manutenção ou assistência técnica.
- Instale válvulas de purga de ar em todos os pontos altos do sistema. As válvulas devem situar-se em pontos facilmente acessíveis para os trabalhos de assistência técnica.

4.4 Preparação da instalação eléctrica

4.4.1 Acerca da preparação das ligações eléctricas



AVISO

- Utilize APENAS fios de cobre.
- Certifique-se de que os componentes eléctricos locais estão em conformidade com a legislação aplicável.
- Todas as ligações eléctricas locais DEVEM ser estabelecidas de acordo com o esquema eléctrico fornecido com o produto.
- NUNCA aperte molhos de cabos e certifique-se de que NÃO entram em contacto com a tubagem nem com arestas afiadas. Certifique-se de que não é aplicada qualquer pressão externa às ligações dos terminais.
- Certifique-se de que instala a ligação à terra. NÃO efectue ligações à terra da unidade através de canalizações, acumuladores de sobretensão ou fios de terra da rede telefónica. Uma ligação à terra incompleta pode originar choques eléctricos.
- Certifique-se de que utiliza um circuito de alimentação adequado. NUNCA utilize uma fonte de alimentação partilhada por outro aparelho eléctrico.
- Certifique-se de que instala os disjuntores ou fusíveis necessários.
- Certifique-se de que instala um disjuntor de fugas para a terra. Caso contrário, podem acontecer choques eléctricos ou incêndios.
- Ao instalar o disjuntor de fugas para a terra, certifique-se de que este é compatível com o inversor (resistente a ruído eléctrico de alta frequência), para que o disjuntor de fugas para a terra não dispare desnecessariamente.

5 Instalação

NOTIFICAÇÃO

O equipamento descrito neste manual pode originar ruído electrónico, gerado por energia de radiofrequência. O equipamento segue especificações que foram concebidas para produzir um nível aceitável de protecção contra tais interferências. Contudo, não é possível garantir que nunca ocorram numa determinada instalação.

Por este motivo, recomenda-se a instalação do equipamento e dos fios eléctricos a distâncias convenientes de aparelhos de alta-fidelidade, computadores pessoais, etc.

AVISO

Todas as ligações eléctricas locais e componentes DEVEM ser instalados por um electricista certificado e DEVEM estar em conformidade com a legislação aplicável.

PERIGO: RISCO DE ELECTROCUSSÃO

AVISO

DEVE incluir nas ligações eléctricas fixas um interruptor geral (ou outra forma de interrupção do circuito), com quebra de contacto em todos os pólos, em conformidade com a legislação aplicável.

Características eléctricas

	FWE-D
Fase	1N~
Frequência	50 Hz
Gama de tensões	220~240 V
Tolerância da tensão	±10%
Corrente máxima de funcionamento	0,46 A
Fusível de sobrecorrente	16 A

Especificações para a cablagem local

	Fio	Tamanho (mm ²)	Comprimento
Cabos da fonte de alimentação	H05VV-U3G ^{(a)(b)}	De acordo com a legislação aplicável ≤4,0	—
Cablagem do controlo remoto e de transmissão da unidade	Fio revestido - 2 condutores ^(c)	0,75~1,25	≤500 m ^(d)

^(a) Apenas no caso de tubos com protecção. Se não existir protecção, utilize H07RN-F.

^(b) Passe as ligações eléctricas através de uma conduta de protecção contra forças exteriores.

^(c) Utilize fio com isolamento duplo para o controlo remoto (espessura do revestimento ≥1 mm) ou passe os fios por dentro de uma parede ou conduta, para que o utilizador não possa entrar em contacto com os mesmos.

^(d) O comprimento deve ser o comprimento total estendido num sistema com controlo de grupo.

5 Instalação

5.1 Montagem do ventilador-convetor

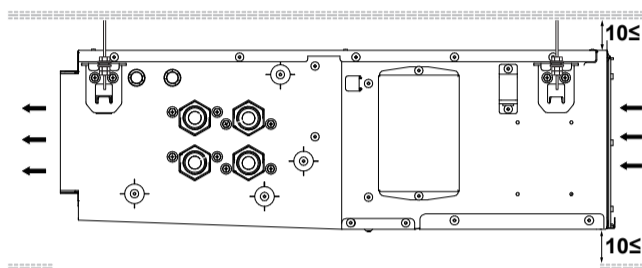
INFORMAÇÕES

O espaço entre o tecto e a unidade deve ser ≥10 mm e o espaço de sucção deve ser ≥150 mm.

INFORMAÇÕES

Todas as peças supra mencionadas são obtidas localmente. Para uma instalação que não seja a instalação padrão, contacte o seu revendedor local para obter aconselhamento.

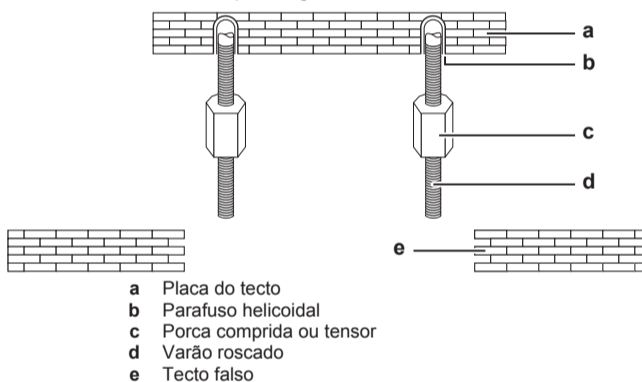
5.1.1 Instalação horizontal



- 1 Faça a abertura no tecto necessária para a instalação num local apropriado.

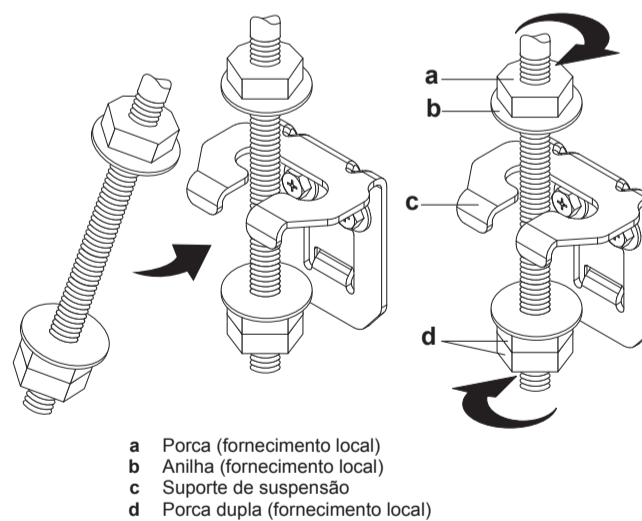
Poderá ser necessário reforçar a estrutura do tecto falso para o manter nivelado e evitar que vibre. Consulte o construtor para obter mais pormenores.

- 2 Instale os varões roscados. Utilize varões W3/8 ou M10. Utilize parafusos helicoidais nos tectos já existentes. Em tectos novos, utilize um inserto embutido, um parafuso helicoidal embutido ou outras peças fornecidas localmente, para reforçar o tecto de forma a suportar o peso da unidade. Consulte-o para verificar os pontos que requerem reforço. Ajuste a folga entre a unidade e o tecto, antes de prosseguir.

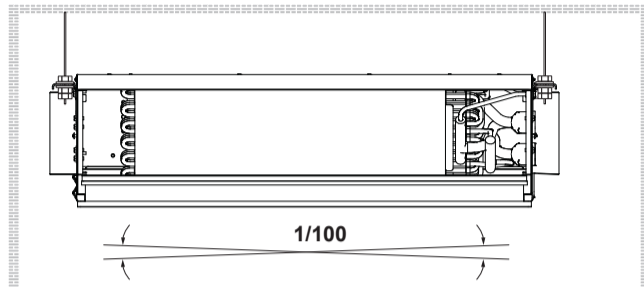


- 3 Instale a unidade temporariamente.

Encaixe o suporte de suspensão no varão roscado. Fixe a unidade com segurança.



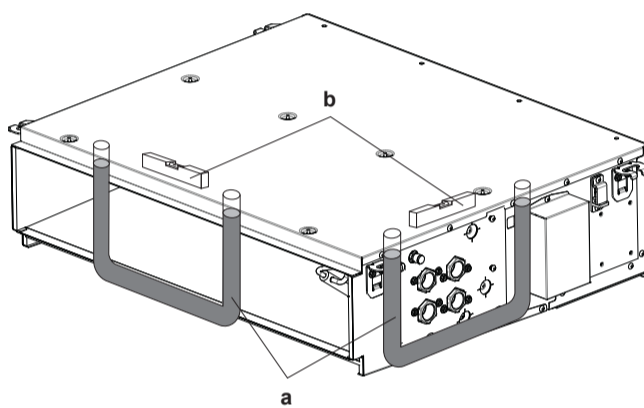
4 Ajuste a unidade à posição correcta de instalação.



5 Verifique se a unidade está nivelada na horizontal.

Não instale a unidade inclinada. Se a unidade ficar inclinada no sentido contrário à direcção do fluxo da condensação (lado da tubagem de drenagem levantado), irá pingar água.

Verifique se a unidade está nivelada nos quatro cantos com um nível ou um tubo plástico cheio de água.



a Tubo de plástico
b Nível

5.1.2 Instalação vertical

NOTIFICAÇÃO

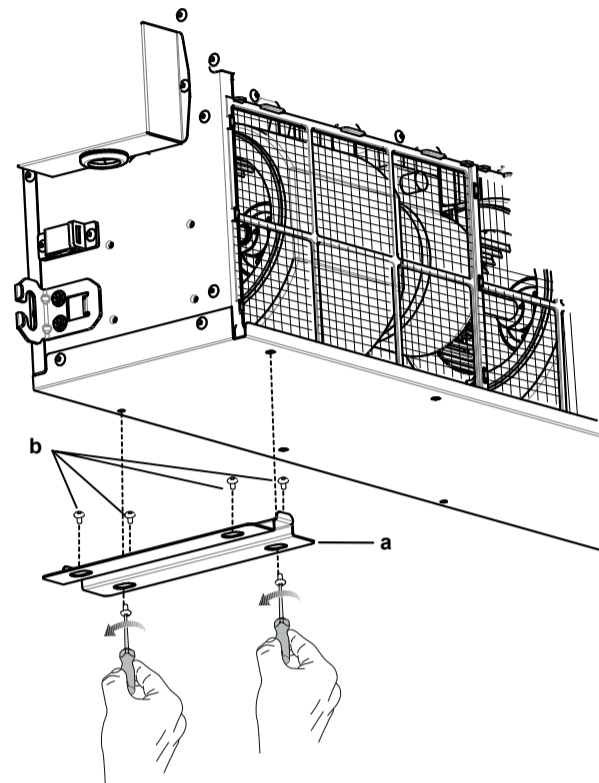
NÃO faça demasiada força ao ligar a tubagem. As tubagens deformadas podem provocar mau funcionamento da unidade. Certifique-se de que o binário de aperto é de 3 N•m em todos os parafusos.

NOTIFICAÇÃO

Para instalar a unidade na vertical, o kit opcional (ESFH01DS) deverá ser fornecido por um revendedor local.

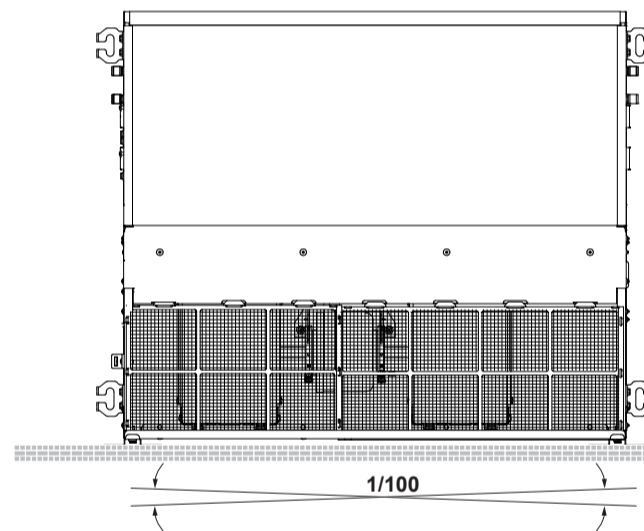
1 Instale a unidade temporariamente.

Instale a unidade no chão com as bases de instalação. Certifique-se de que coloca a unidade no chão de forma segura. Caso exista o risco de a unidade cair, fixe-a ao chão com os parafusos nos orifícios das bases de instalação.



a Base de instalação
b Parafuso de fixação

2 Ajuste a unidade à posição correcta de instalação.



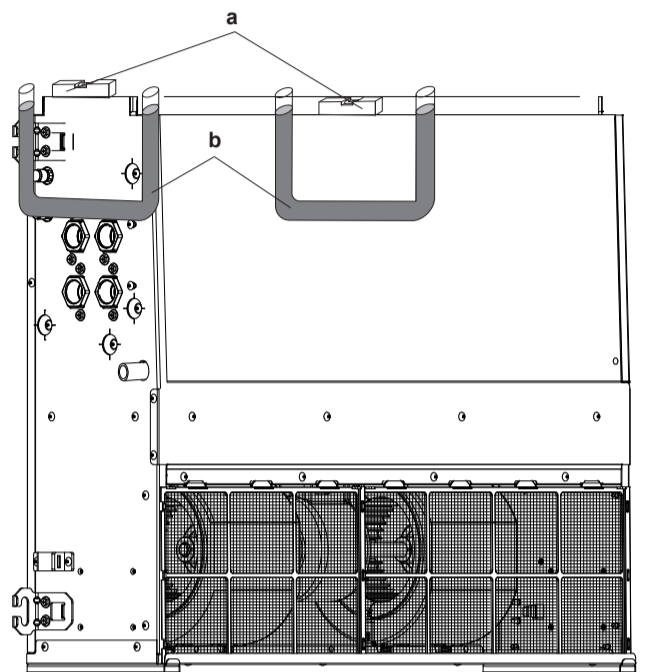
a Nível
b Tubo de plástico

3 Verifique se a unidade está nivelada na horizontal.

Não instale a unidade inclinada. Se a unidade ficar inclinada no sentido contrário à direcção do fluxo da condensação (lado da tubagem de drenagem levantado), provocará fugas de água.

Verifique se a unidade está nivelada nos quatro cantos com um nível ou um tubo plástico cheio de água.

5 Instalação



5.2 Mudar da instalação horizontal para a instalação vertical

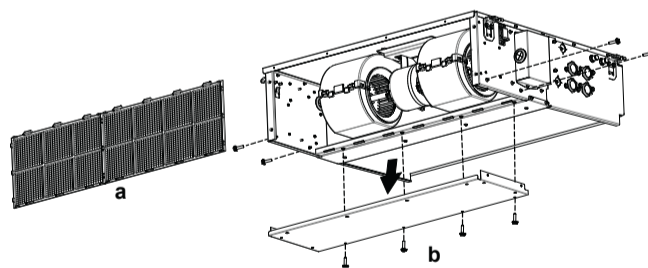
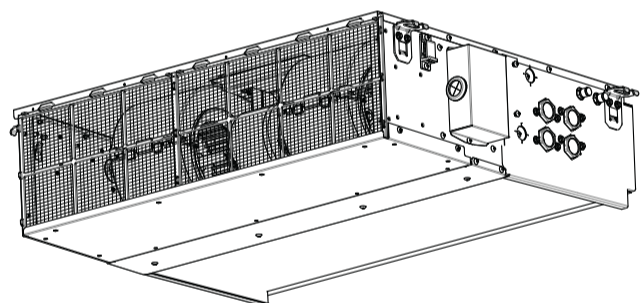


CUIDADO

Certifique-se de que a unidade fica nivelada em todas as direcções.

Caso mude da instalação horizontal para a instalação vertical, siga as instruções que se seguem.

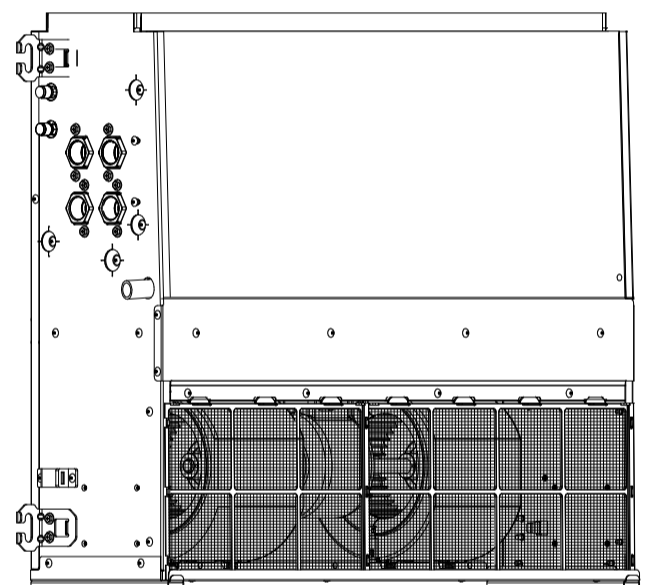
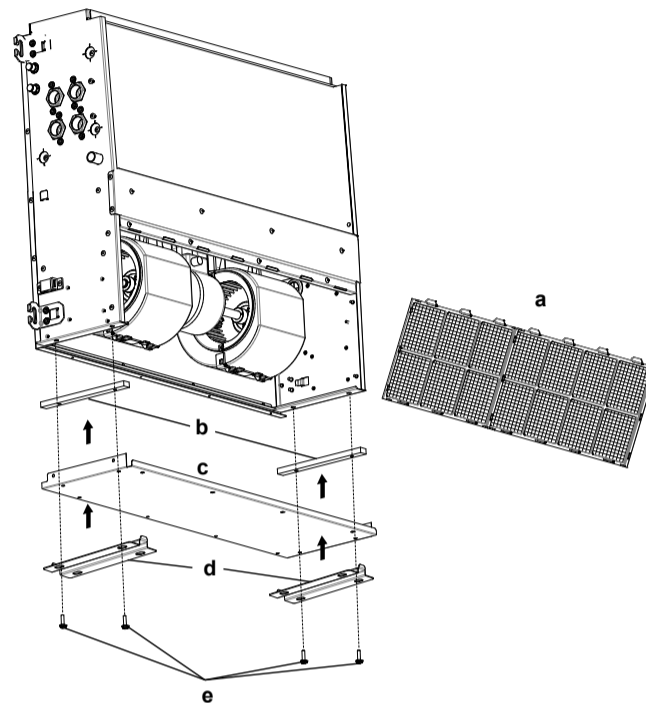
- 1 Retire o filtro de ar.
- 2 Retire os parafusos da tampa para assistência técnica e remova-a da unidade.



- 3 Insira o suporte de borracha (incluído no kit opcional) na área livre entre a placa lateral e os rebordos inferiores.
- 4 Volte a colocar a tampa para assistência técnica na parte inferior.
- 5 Fixe as 2 bases de instalação do kit opcional de instalação vertical à tampa para assistência técnica com os 4 parafusos do kit opcional.

6 Volte a colocar o filtro de ar na guia do filtro da tampa para assistência técnica.

7 A unidade está pronta para a instalação vertical.



- a Filtro de ar
- b Tampa para assistência técnica
- c Bases de instalação
- d Parafusos
- e Filtro de ar

5.3 Ligação da tubagem de água



NOTIFICAÇÃO

Não faça demasiada força ao ligar a tubagem. A tubagem da unidade poderá ficar deformada. As tubagens deformadas podem provocar mau funcionamento da unidade.

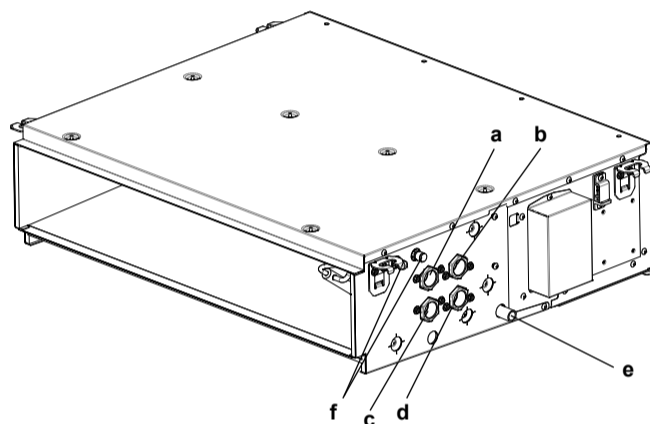


CUIDADO

Devem ser utilizadas sempre válvulas para controlar a circulação de água na unidade. A válvula deve ser do tipo NC (normalmente fechada) para que as válvulas estejam fechadas quando a unidade não está em funcionamento. Isto evitará a formação de água de condensação.

5.3.1 Para ligar a tubagem de água

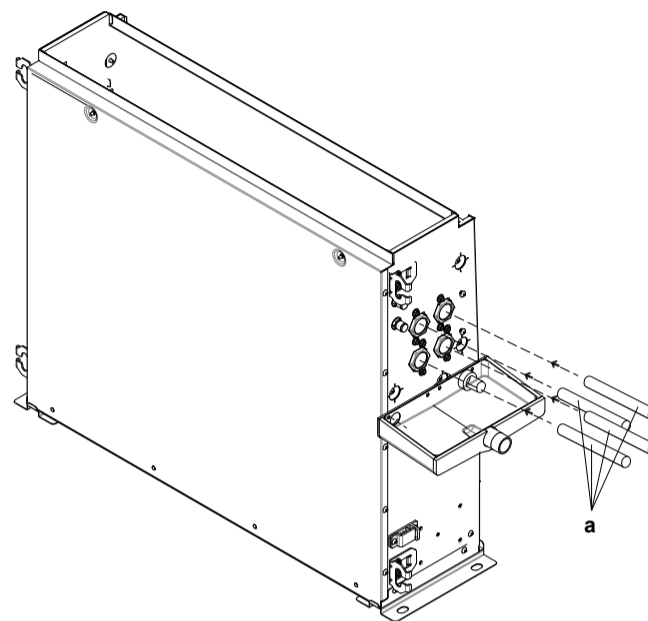
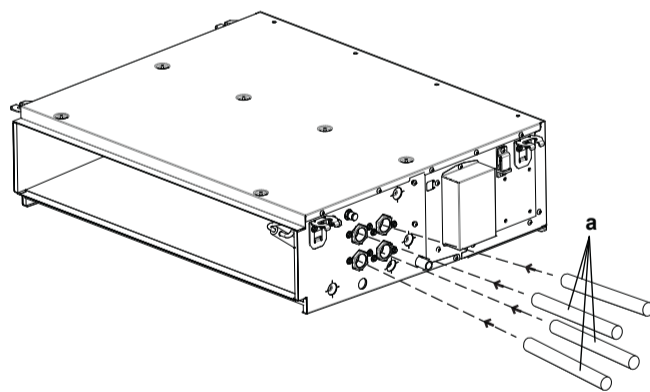
- 1 Una as ligações de entrada e saída de água do ventilador-convetor à tubagem de água.



- a Ligação do tubo de drenagem (macho de 3/4")
- b Entrada de água refrigerada (BSP fêmea de 3/4")
- c Saída de água refrigerada (BSP fêmea de 3/4")
- d Entrada de água de aquecimento (BSP fêmea de 3/4")
- e Saída de água de aquecimento (BSP fêmea de 3/4")
- f Válvula de purga de ar
- g Válvula de purga de ar

Observação: Em caso de ligação directa à unidade, utilize um tubo BSP macho de 3/4".

- 2 Todo o circuito da água, incluindo a tubagem, tem de ser isolado para evitar a condensação e a redução da capacidade.



a Tubo de ligação

5.3.2 Enchimento do circuito de água



NOTIFICAÇÃO

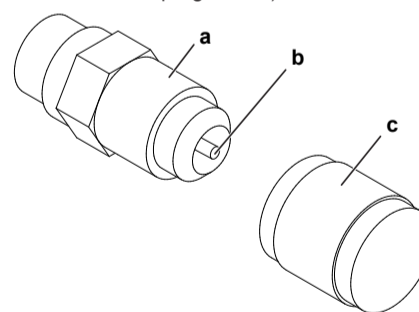
Certifique-se de que a qualidade da água está em conformidade com a directiva da UE 98/83 EC.



NOTIFICAÇÃO

- A presença de ar no circuito da água pode provocar avarias. Durante o enchimento, pode não ser possível retirar todo o ar do circuito. O ar restante será retirado através das válvulas automáticas de purga de ar, durante as horas de funcionamento iniciais do sistema. Pode posteriormente ser necessário efectuar um enchimento adicional de água.
- Para purgar o sistema, utilize a função especial conforme está descrito em **"6 Activação"** na [página 139](#).

- 1 Abra a tampa.
- 2 Empurre a válvula de segurança para purgar o ar do(s) circuito(s) da água da unidade.
- 3 Feche a tampa.
- 4 Posteriormente, poderá ser necessário efectuar um abastecimento adicional de água (mas nunca através da válvula de purga de ar).



- a Purga de ar
- b Válvula de descompressão
- c Protecção

5 Instalação

5.4 Efectuação das ligações eléctricas

5.4.1 Sobre a ligação da instalação eléctrica

Fluxo de trabalho adicional

A conexão das ligações eléctricas consiste, geralmente, nas seguintes etapas:

- 1 Certificar-se de que a alimentação eléctrica do sistema respeita os especificações eléctricas das unidades.
- 2 Efectuar as ligações eléctricas do ventilador-convetor.
- 3 Mudar a direcção das ligações eléctricas (se aplicável).

5.4.2 Diretrizes ao ligar a instalação eléctrica

Ao ligar fios da mesma espessura, ligue-os de acordo com a figura abaixo.



Observe as notas mencionadas abaixo ao efectuar as ligações eléctricas.

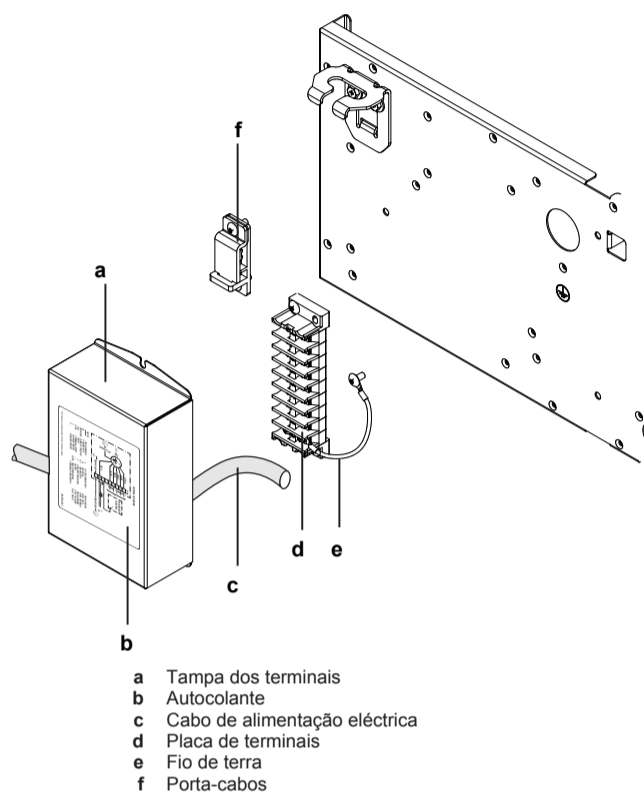
- Não ligue cabos de diferentes espessuras ao mesmo terminal da fonte de alimentação. Se a ligação estiver pouco firme, poderá ocorrer o sobreaquecimento.
- Não ligue fios de diferentes espessuras ao mesmo terminal de terra. Se a ligação estiver pouco firme, a protecção poderá deteriorar-se.
- Utilize o fio eléctrico especificado (consulte "[Especificações para a cablagem local](#)" na página 132). Ligue bem o fio ao terminal ou borne. Utilize o binário de aperto correcto (N·m).
- Binário de aperto da placa de terminais da fonte de alimentação: 1,44~1,88 N·m.
- Mantenha os cabos no devido lugar para que não obstruam outros equipamentos nem façam com que a tampa dos terminais se abra. Certifique-se de que a tampa está bem fechada. As ligações incompletas podem originar um sobreaquecimento, e no pior dos casos, choque eléctrico ou incêndio.

5.4.3 Efectuar as ligações eléctricas do ventilador-convetor

Consulte o autocolante do esquema eléctrico na tampa dos terminais.

NOTIFICAÇÃO

- Siga o esquema eléctrico (fornecido com a unidade, localizado na tampa da caixa de distribuição).
- Certifique-se de que as ligações eléctricas NÃO bloqueiam a reinstalação correcta da tampa para assistência técnica.



- 1 Retire a tampa dos terminais e o porta-cabos da unidade.
- 2 Ligue o cabo da fonte de alimentação à placa de terminais.
- 3 Fixe o cabo da fonte de alimentação com o porta-cabos.
- 4 Volte a colocar a tampa dos terminais na unidade.

5.4.4 Mudar a direcção das ligações eléctricas

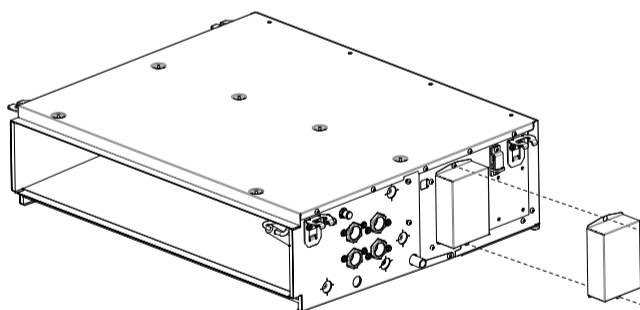
NOTIFICAÇÃO

A direcção das ligações eléctricas pode ser mudada para o lado oposto no local.

NOTIFICAÇÃO

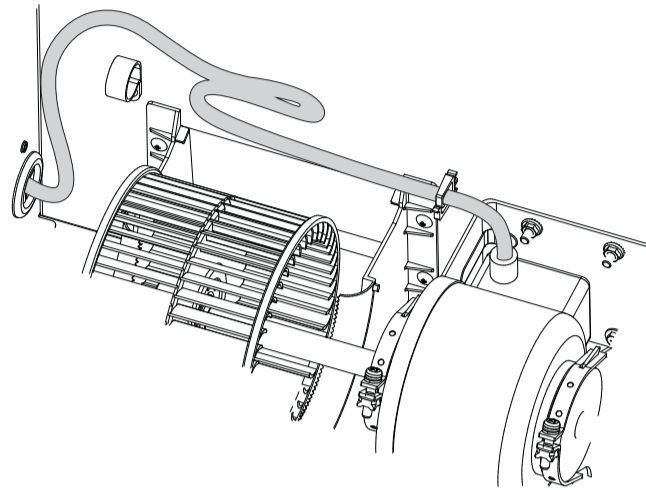
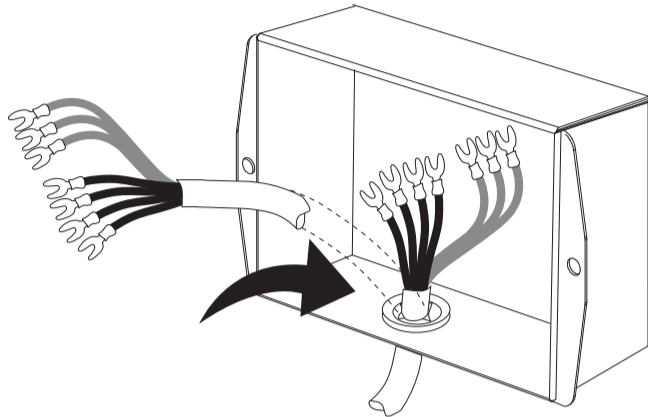
Ao colocar a tampa dos terminais, certifique-se de que não entala fios.

- 1 Retire a tampa dos terminais, o terminal, o porta-cabos, o fio de ligação à terra e os cabos do motor da ventoinha.

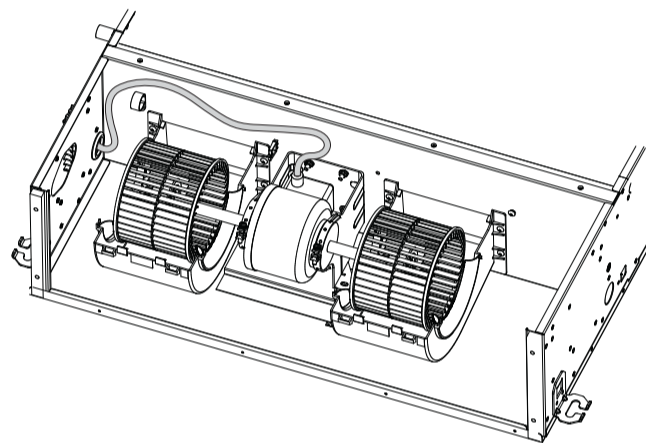
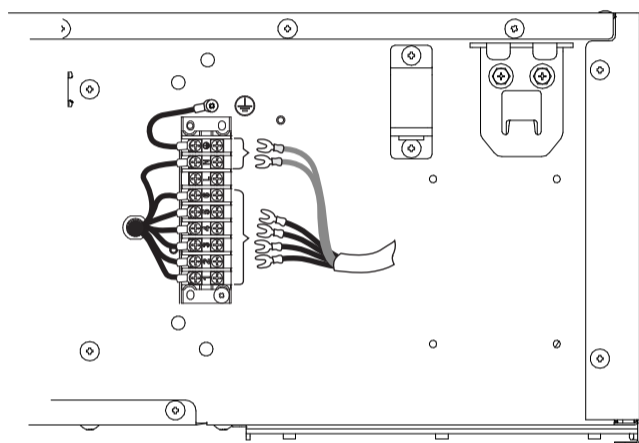


5 Instalação

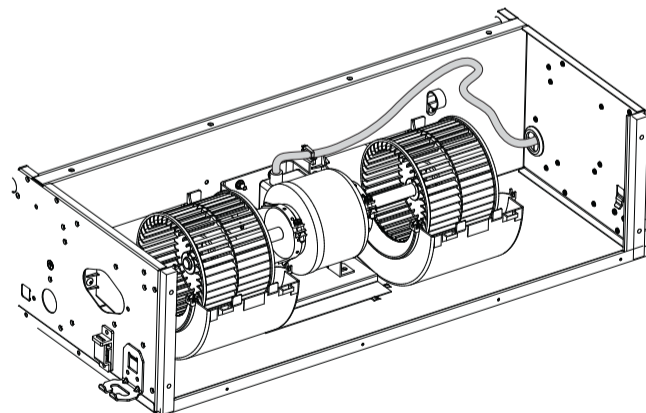
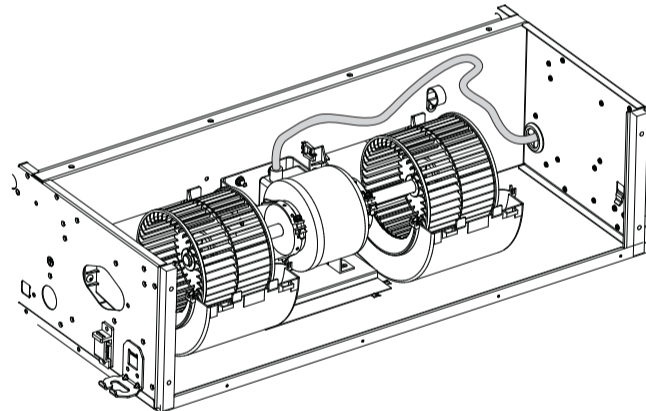
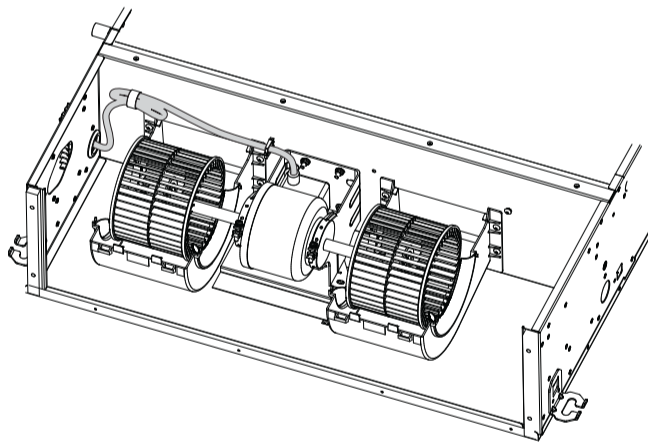
- 2 Solte os cabos do motor da ventoinha dos porta-cabos.



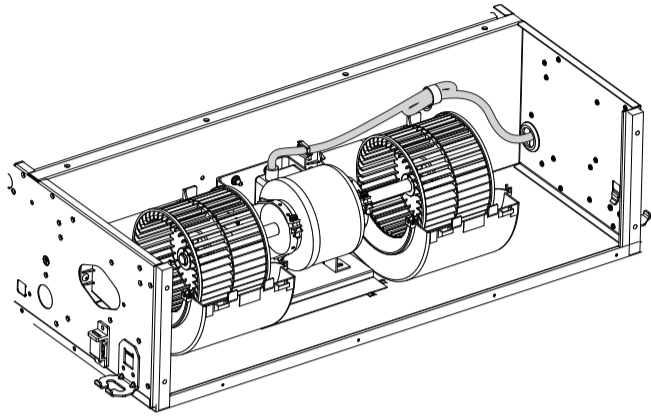
- 3 Mude a direcção dos cabos do motor da ventoinha.



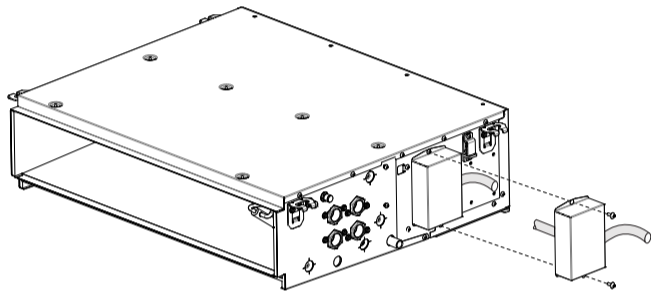
- 4 Fixe os cabos à placa de separação. Certifique-se de que os cabos não utilizados são bem fixados na nova posição com um grampo de cabos.



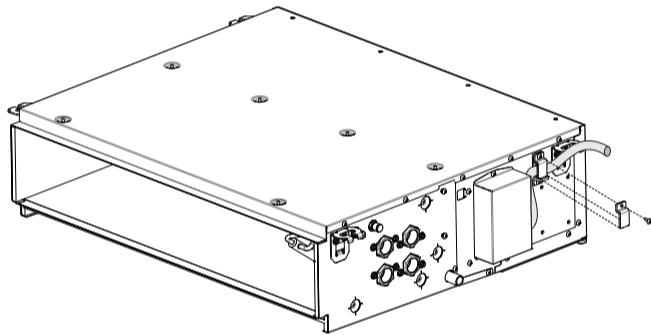
5 Instalação



5 Fixe as peças retiradas à unidade.



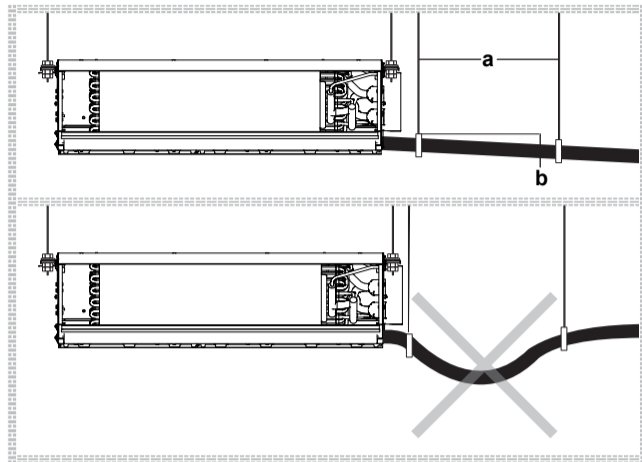
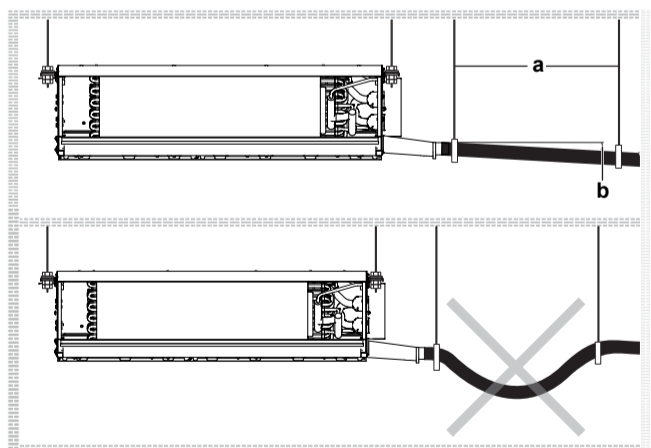
6 Instale o porta-cabos retirado para fixar o cabo.



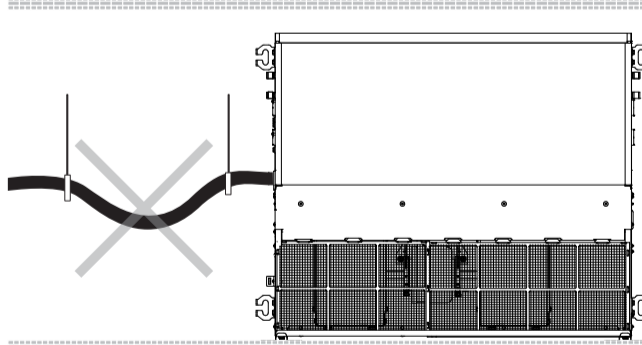
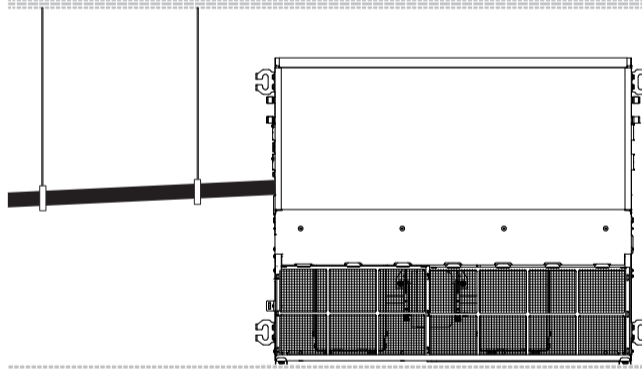
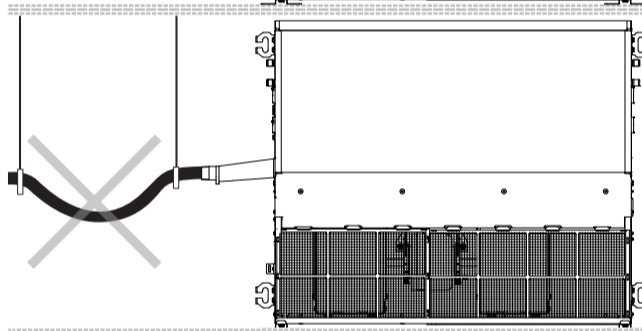
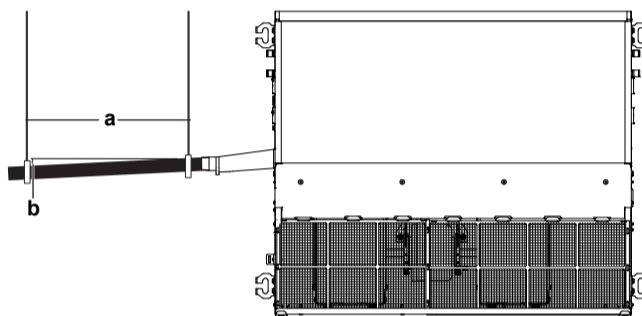
5.5 Ligação da tubagem de drenagem

5.5.1 Instalação da tubagem de drenagem na unidade

Instalação horizontal



Instalação vertical



a Barra de suspensão
b Inclinação $\geq 1/100$

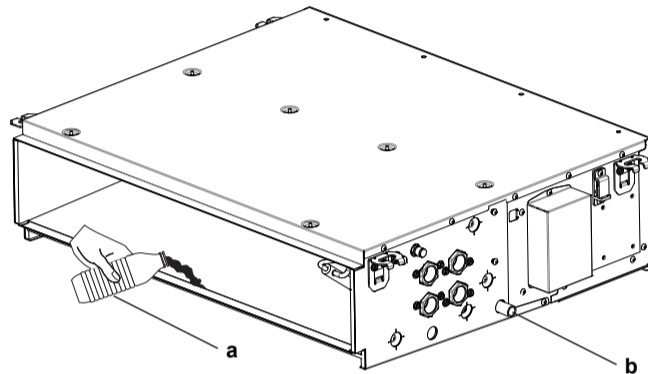
6 Activação

A tubagem deve ser tão curta quanto possível, devendo ficar com uma inclinação descendente de, pelo menos, 1/100 para que o ar não permaneça no interior do tubo.

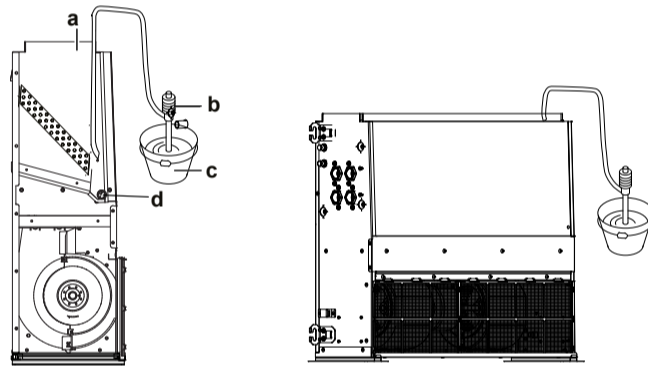
5.5.2 Verificação da tubagem de drenagem

Depois de concluir a instalação da tubagem de drenagem verifique se a drenagem flui com facilidade.

- Vá acrescentando cerca de 1 litro de água, gradualmente, através da saída de ar.



- a Garrafa de plástico para abastecimento de água
b Encaixe de esgoto



- a Saída de ar
b Bomba portátil
c Balde
d Encaixe de esgoto

- Verifique o fluxo de drenagem e confirme a drenagem, por observação do respectivo encaixe.

6 Activação

Por favor, forneça os dados de conceção ecológica (ecodesign) em conformidade com o regulamento (UE) 2016/2281 ao cliente. Estes dados encontram-se no guia de referência do instalador ou no website Daikin.

NOTIFICAÇÃO

Opere a unidade SEMPRE com termístores e/ou interruptores/sensores de pressão. Caso CONTRÁRIO, pode resultar num compressor queimado.

6.1 Efectuar um teste de funcionamento

Após a instalação, o instalador é obrigado a verificar o funcionamento correcto. Caso haja algum problema com a unidade e esta não funcionar, contacte o seu revendedor local.

NOTIFICAÇÃO

Não interrompa o teste de funcionamento.

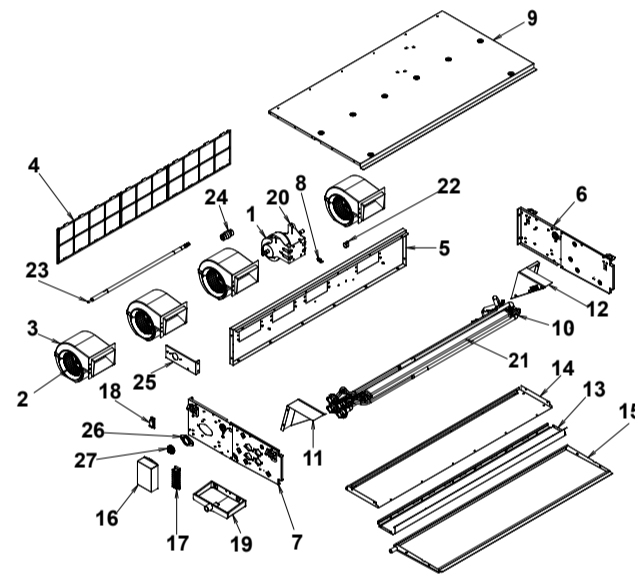
NOTIFICAÇÃO

NÃO tente desmontar pessoalmente o sistema: a desmontagem do sistema e o tratamento do refrigerante, do óleo e de outros componentes DEVEM ser efectuados de acordo com a legislação aplicável. As unidades DEVEM ser processadas numa estação de tratamento especializada, para reutilização, reciclagem e/ou recuperação.

AVISO

Tome medidas adequadas de modo a evitar que a unidade possa ser utilizada como abrigo para animais pequenos. Se entrarem em contacto com os componentes eléctricos, os animais pequenos podem provocar avarias, fumo ou um incêndio.

Utilize uma ferramenta adequada para retirar os parafusos. O produto pode ser desmontado conforme mostrado abaixo.



Lista de instruções de reciclagem do FWE-D

Material	Item
Parte eléctrica (motor da ventoinha + condensador)	1
Alumínio (aleta) + cobre (tubo) + aço galvanizado (placa) + latão	10
Plástico	2, 18, 8, 22, 27
Plástico + metal	3, 17, 24
Plástico (estrutura) + plástico (rede)	4
Aço galvanizado	5, 9, 13, 14, 16, 20, 23, 25, 26
Aço galvanizado + espuma de plástico	6, 7, 11, 12, 15, 19
Espuma de plástico	21

6.2 Lista de verificação antes da activação

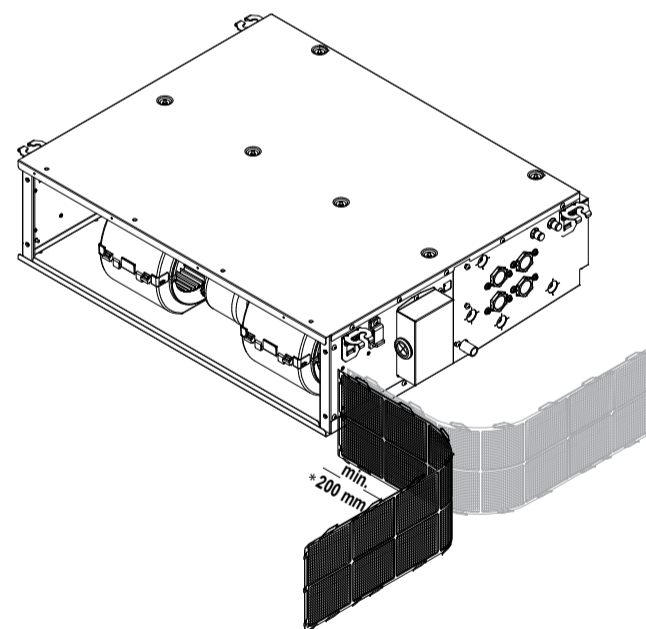
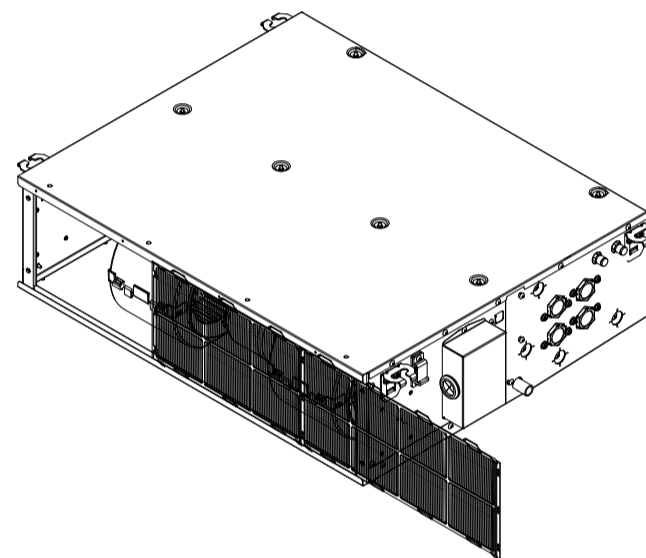
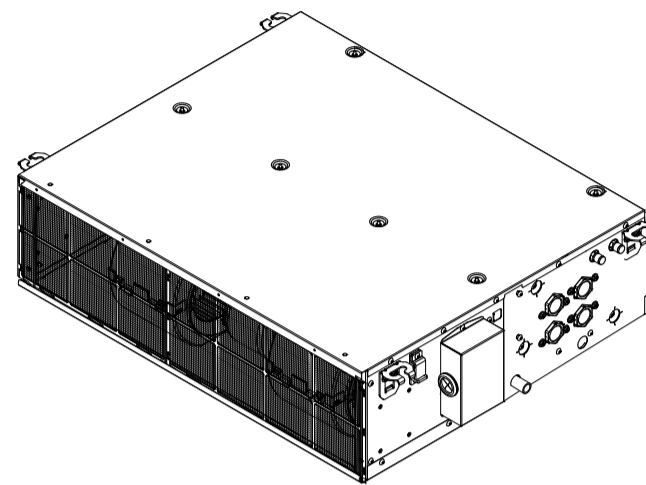
Após a instalação da unidade, comece por verificar os itens abaixo listados. Depois de efectuar todas as verificações, é necessário fechar a unidade. Ligue a unidade depois desta estar fechada.

Instalação

Verifique se a unidade está adequadamente instalada, para evitar ruídos e vibrações anormais após o arranque.

7 Manutenção e assistência

<input type="checkbox"/>	Drenagem Certifique-se de que a drenagem flui sem problemas. Consequência possível: Pode pingar água da condensação.
<input type="checkbox"/>	Tensão da fonte de alimentação Verifique a tensão da fonte de alimentação no painel local do circuito eléctrico. A tensão TEM DE corresponder à indicada na placa de especificações da unidade.
<input type="checkbox"/>	Ligação à terra Certifique-se de que os fios de terra foram adequadamente ligados e que os terminais de terra estão bem apertados.
<input type="checkbox"/>	Fusíveis, disjuntores e dispositivos de protecção Verifique se os fusíveis, disjuntores e dispositivos locais de protecção apresentam as dimensões e os tipos especificados na secção "4.4 Preparação da instalação eléctrica" na página 131. Certifique-se de que não foram feitas derivações de nenhum fusível ou dispositivo de protecção.
<input type="checkbox"/>	Ligações eléctricas internas Verifique visualmente a caixa de distribuição e o interior da unidade, para detectar ligações soltas ou componentes eléctricos danificados.
<input type="checkbox"/>	Equipamento danificado Verifique se existem componentes danificados ou tubos estrangulados no interior da unidade.
<input type="checkbox"/>	Entrada e saída de ar Verifique se a entrada e a saída de ar da unidade NÃO estão obstruídas por papéis, cartões ou qualquer outro material.



7 Manutenção e assistência



NOTIFICAÇÃO

A manutenção DEVE ser realizada obrigatoriamente por um técnico de assistência ou um instalador autorizado.

Recomenda-se que realize a manutenção, pelo menos, uma vez por ano. No entanto, a legislação aplicável poderá exigir intervalos de manutenção mais curtos.

7.1 Limpeza do filtro de ar

Quando

- Limpar semestralmente. Se o ar da divisão estiver extremamente contaminado, aumente a frequência da limpeza.
- Se for impossível limpar a sujidade, substitua o filtro de ar utilizando equipamento original.

Como

- 1 Desligue a fonte de alimentação.
- 2 O filtro de ar pode ser instalado em 1 de 2 locais neste produto (partes lateral e inferior). Retire o filtro, fazendo-o deslizar conforme mostrado abaixo.

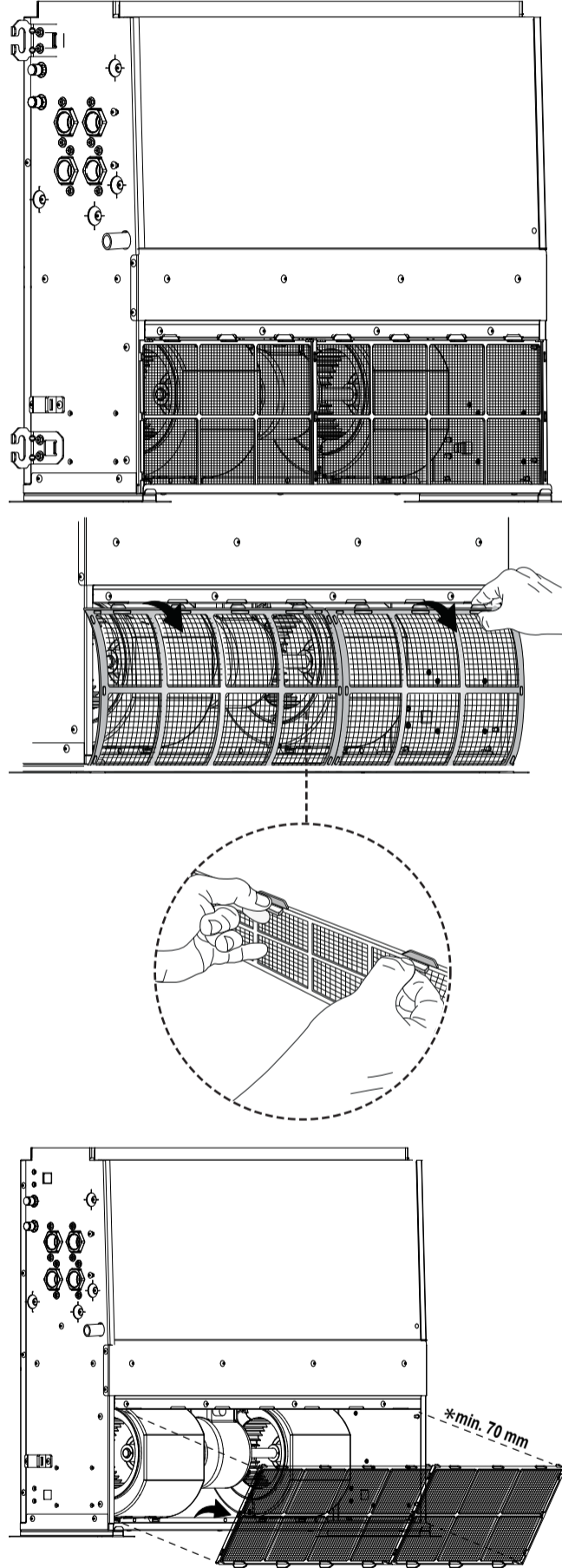
Instalação horizontal

Retire o filtro, fazendo-o deslizar.

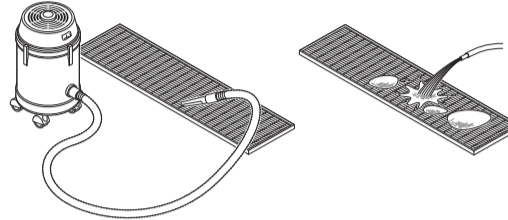
7 Manutenção e assistência

Instalação vertical

Empurre as patilhas no filtro e puxe-o para trás.



- 3 Utilize um aspirador ou lave o filtro de ar com água. Caso o filtro de ar esteja muito sujo, use uma escova macia e um detergente neutro.



- 4 Volte a colocar o filtro de ar na sua posição original.

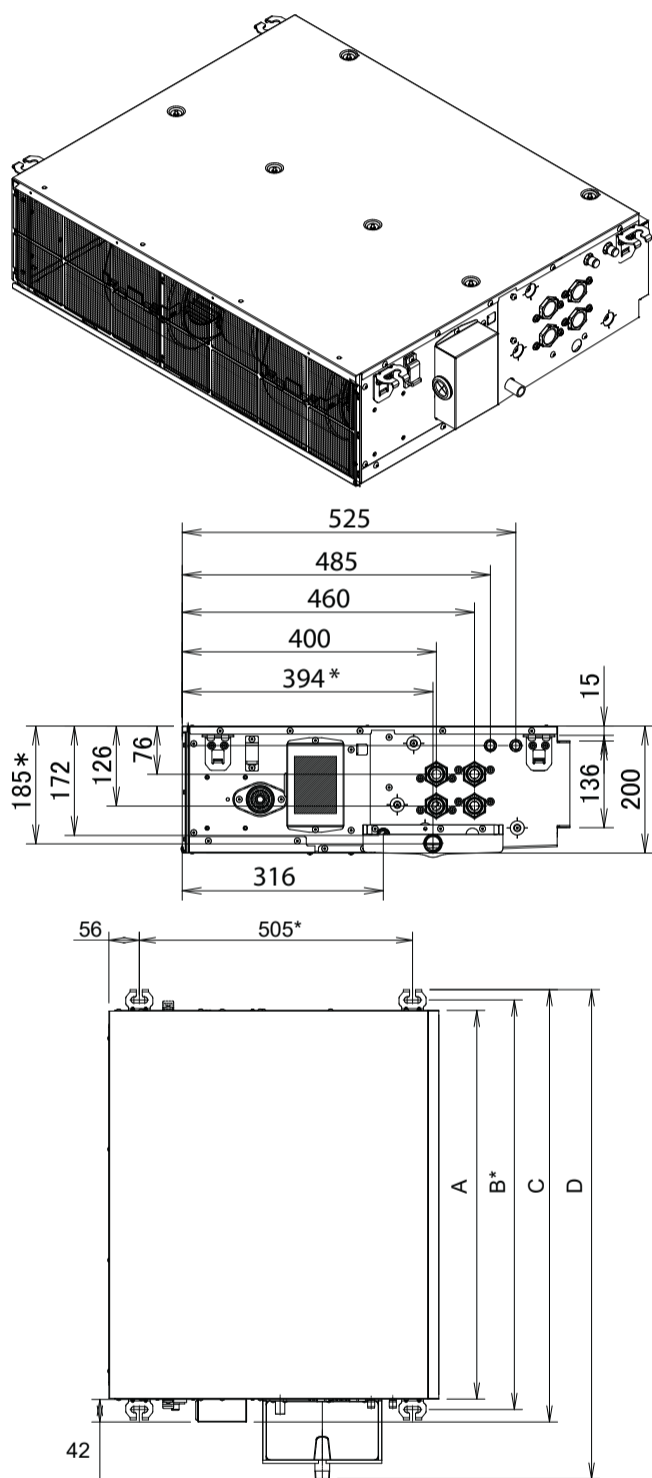
8 Dados técnicos

8 Dados técnicos

- Um **subconjunto** dos mais recentes dados técnicos está disponível no website regional Daikin (de acesso público).
- O **conjunto completo** dos dados técnicos mais recentes está disponível no Daikin Business Portal (autenticação obrigatória).

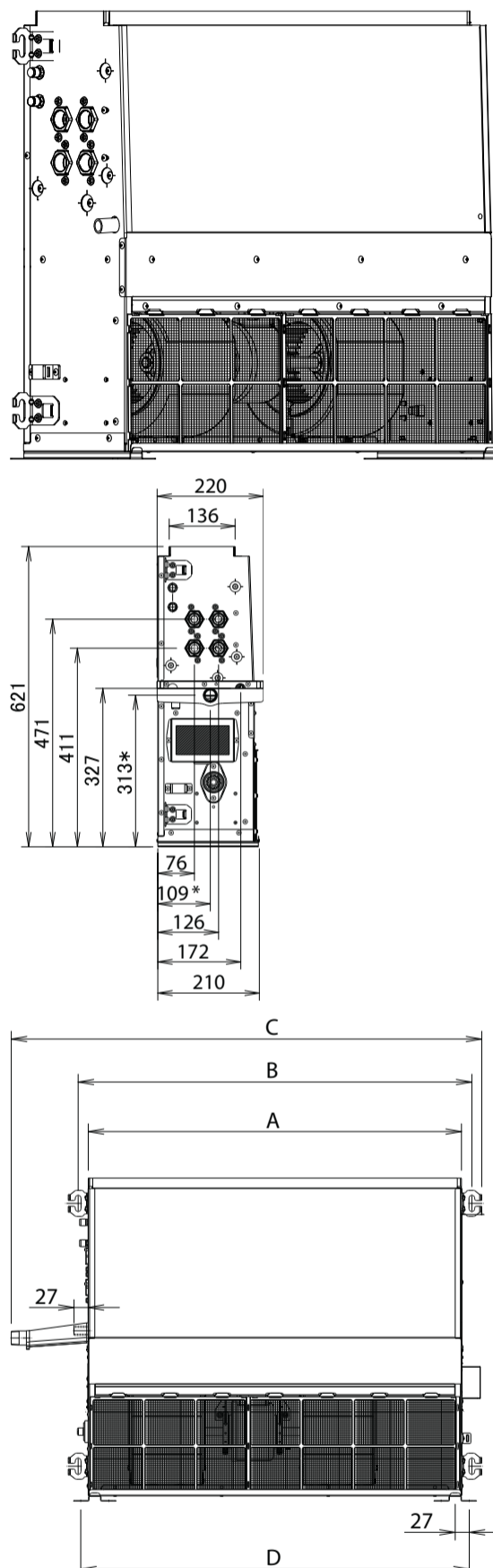
8.1 Dimensões

Vista horizontal



Unidades: mm	A	B	C	D
FWE03~05	719	757	799	909
FWE06	919	957	999	1109
FWE07~11	1119	1157	1199	1309

Vista vertical



Unidade: mm	A	B	C	D
FWE03~05	719	757	909	747
FWE06	919	957	1109	947
FWE07~11	1119	1157	1309	1147

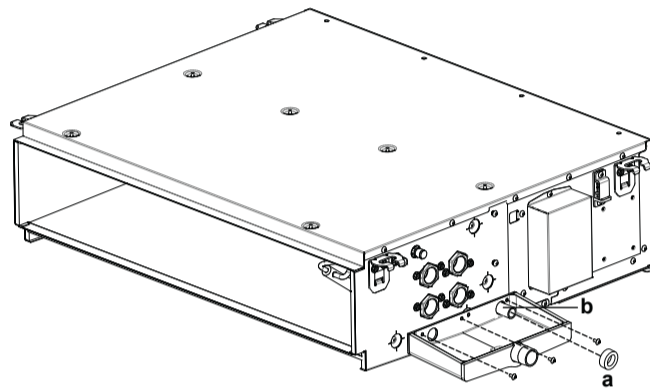
8 Dados técnicos

Depósito de drenagem ajustável (horizontal)

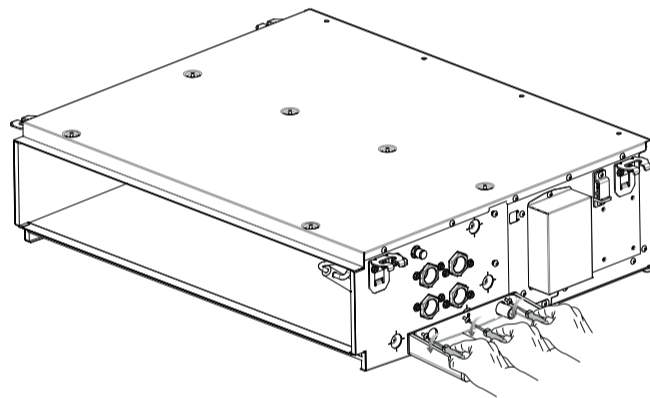


CUIDADO

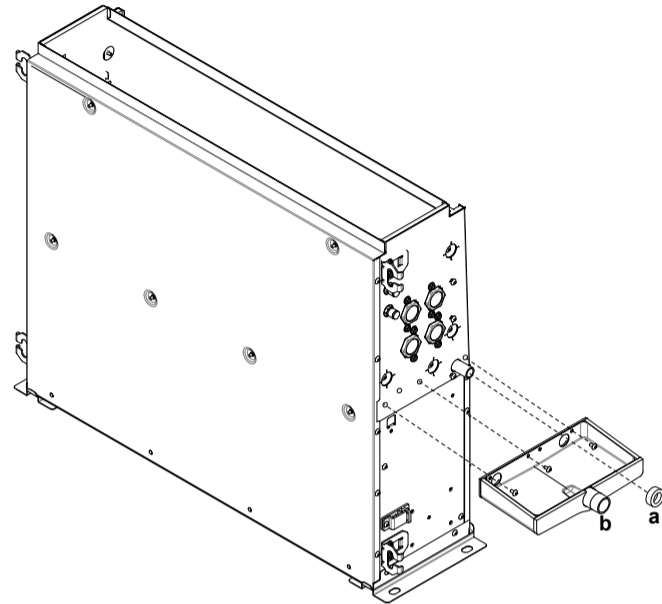
Certifique-se de que coloca a borracha do encaixe de drenagem após a instalação do depósito de drenagem adicional. Caso contrário, a condensação na unidade principal ou nos tubos de água, a sujidade no filtro do ar ou o entupimento do dreno podem provocar pingos de água, resultando em danos ou mau funcionamento do objecto em questão.



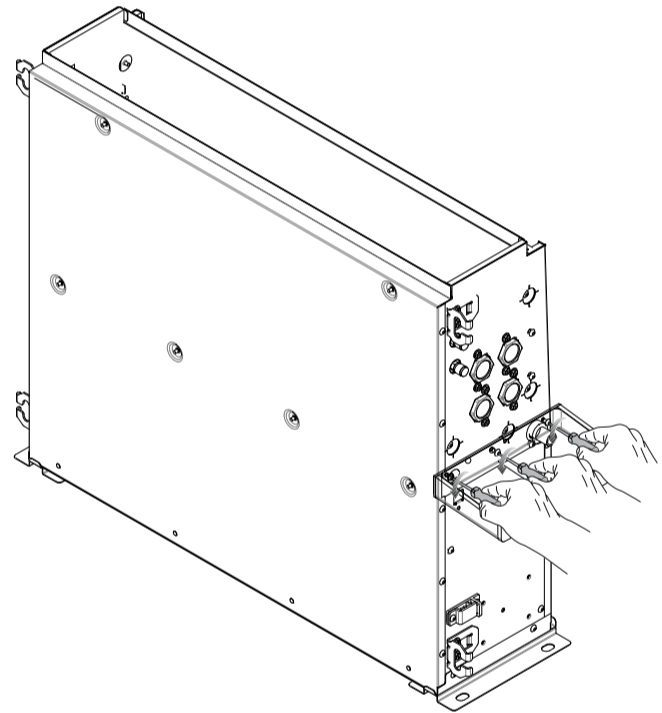
- a Borracha do encaixe de drenagem
- b Encaixe de drenagem adicional



Depósito de drenagem ajustável (vertical)



- a Borracha do encaixe de drenagem
- b Encaixe de drenagem adicional



8 Dados técnicos

8.2 Esquema eléctrico

No terminal

Inglês	Tradução
	Ligação
X1M	Terminal principal
-----	Fornecimento local
	PCB
	Ligação à terra de protecção
	Ligação à terra
	Ligação eléctrica local

Cabo do motor da ventoinha

WHT	Branco
GRN	Verde
RED	Vermelho
ORG	Cor-de-laranja
BRN	Castanho
YLW	Amarelo
BLU	Azul
GRN/YLW	Verde/Amarelo
C1	Condensador
F1U	Fusível
X1M	Placa de terminais
M	Motor do ventilador

8.3 Requisitos de informação do Eco Design

Siga os passos abaixo para consultar os dados da Etiqueta Energética – Lote 21 da unidade e as combinações exterior/interior.

- 1 Abra a seguinte página Web: <https://energylabel.daikin.eu/>
- 2 Para continuar, escolha:
 - "Continue to Europe" para aceder ao site internacional.
 - "Other country" para aceder a um site específico de um país.

Resultado: Será direccionado para a página Web "Eficiência sazonal".
- 3 Por baixo de "Eco Design – Entr LOT 21", clique em "Gere a sua etiqueta".

Resultado: Será direccionado para a página Web "Energy Label (LOT 21)".
- 4 Siga as instruções na página Web para seleccionar a unidade correcta.

Resultado: Quando a selecção estiver concluída, será possível visualizar a ficha de dados LOTE 21 como PDF ou página Web HTML.



INFORMAÇÕES

Outros documentos (p. ex., manuais, etc.) também podem ser consultados a partir da página Web apresentada.

Содержание

Содержание

1	Информация о документации	146
1.1	Информация о настоящем документе	146
1.2	Значение предупреждений и символов	146
1.3	Общие требования	147
2	Информация о блоке	147
2.1	Обзор: информация о блоке	147
2.2	Распаковка и обращение с фанкойлом	147
2.3	Снятие аксессуаров с фанкойла	147
3	Справочная информация о блоках	148
3.1	Обзор: информация об агрегатах и дополнительном оборудовании	148
3.2	Идентификация	148
3.2.1	Опознавательная табличка: Фанкойл	148
4	Подготовка	148
4.1	Обзор: подготовка	148
4.2	Как подготовить место установки	148
4.3	Подготовка трубопроводов воды	149
4.4	Подготовка электрической проводки	150
4.4.1	Подготовка к прокладке электропроводки	150
5	Монтаж	150
5.1	Монтаж фанкойла	150
5.1.1	Горизонтальный монтаж	151
5.1.2	Вертикальный монтаж	151
5.2	Вертикальный монтаж вместо горизонтального	152
5.3	Соединение трубопроводов воды	153
5.3.1	Для соединения трубопроводов воды	153
5.3.2	Заполнение контура циркуляции воды	154
5.4	Подключение электропроводки	154
5.4.1	Подсоединение электропроводки	154
5.4.2	Рекомендации относительно подсоединения электропроводки	154
5.4.3	Подключение электропроводки к фанкойлу	154
5.4.4	Смена направления прокладки электропроводки	155
5.5	Подсоединение сливного трубопровода	156
5.5.1	Порядок подсоединения сливного трубопровода к блоку	156
5.5.2	Проверка сливного трубопровода	157
6	Пусконаладка	157
6.1	Порядок выполнения пробного запуска	157
6.2	Предпусковые проверочные операции	158
7	Техническое и иное обслуживание	158
7.1	Правила чистки воздушного фильтра	159
8	Технические данные	161
8.1	Габариты	161
8.2	Схема электропроводки	163
8.3	Информационные требования экологичного проектирования	164

1 Информация о документации

1.1 Информация о настоящем документе

Целевая аудитория

Уполномоченные установщики

ИНФОРМАЦИЯ

Данное устройство может использоваться специалистами или обученными пользователями в магазинах, на предприятиях легкой промышленности, на фермах, либо неспециалистами для коммерческих и бытовых нужд.

Комплект документации

Настоящий документ является частью комплекта документации. В полный комплект входит следующее:

Последние редакции предоставляемой документации доступны на региональном веб-сайте Daikin или у дилера.

Язык оригинальной документации английский. Документация на любом другом языке является переводом.

• Руководство по монтажу фанкойла:

- Инструкции по монтажу
- Формат: Документ (в ящике с фанкойлом)

1.2 Значение предупреждений и символов



ОПАСНО!

Обозначает ситуацию, которая приведет к гибели или серьезной травме.



ОПАСНО! РИСК ПОРАЖЕНИЯ ЭЛЕКТРИЧЕСКИМ ТОКОМ

Обозначает ситуацию, которая может привести к поражению электрическим током.



ОПАСНО! РИСК ОЖОГОВ

Обозначает ситуацию, которая может привести к ожогам от крайне высоких или низких температур.



ОПАСНО! ВЗРЫВООПАСНО

Обозначает ситуацию, которая может привести к взрыву.



ПРЕДУПРЕЖДЕНИЕ

Обозначает ситуацию, которая может привести к гибели или серьезной травме.



ПРЕДУПРЕЖДЕНИЕ: ВОСПЛАМЕНЯЮЩИЙСЯ МАТЕРИАЛ



ПРЕДОСТЕРЕЖЕНИЕ

Обозначает ситуацию, которая может привести к травме малой или средней тяжести.




ПРИМЕЧАНИЕ



Обозначает ситуацию, которая может привести к повреждению оборудования или имущества.

ИНФОРМАЦИЯ

Обозначает полезные советы или дополнительную информацию.

Символ	Пояснения
	Прежде чем приступить к установке оборудования, ознакомьтесь с содержанием руководства по монтажу и эксплуатации, а также с инструкциями по прокладке электропроводки.

2 Информация о блоке

Символ	Пояснения
	Перед выполнением любых работ по техническому и иному обслуживанию ознакомьтесь с содержанием руководства по техобслуживанию.
	Дополнительную информацию см. в справочном руководстве для монтажника и пользователя.

1.3 Общие требования

Если возникли сомнения по поводу установки или эксплуатации блока, обратитесь к продавцу оборудования.



ПРИМЕЧАНИЕ

Неправильный монтаж или неправильное подключение оборудования или принадлежностей могут привести к поражению электротоком, короткому замыканию, протечкам, возгоранию или повреждению оборудования. Используйте только те принадлежности, дополнительное оборудование и запасные части, которые изготовлены или утверждены Daikin.



ПРЕДУПРЕЖДЕНИЕ

Убедитесь, что установка, пробный запуск и используемые материалы соответствуют действующему законодательству (в верхней части инструкций, приведенных в документации Daikin).



ПРЕДОСТЕРЕЖЕНИЕ

При установке, техническом и ином обслуживании системы надевайте средства индивидуальной защиты (перчатки, очки,...).



ПРЕДУПРЕЖДЕНИЕ

Полиэтиленовые упаковочные мешки необходимо разрывать и выбрасывать, чтобы дети не могли ими играть. Возможная опасность: удушье.



ПРЕДУПРЕЖДЕНИЕ

Примите адекватные меры по недопущению попадания в агрегат мелких животных. При контакте мелких животных с электрическими деталями возможны сбои в работе блока, задымление или возгорание.



ПРЕДОСТЕРЕЖЕНИЕ

НЕ прикасайтесь к воздухозаборнику или к алюминиевым пластинам блока.



ПРИМЕЧАНИЕ

- НЕ ДОПУСКАЕТСЯ размещать любые предметы и оборудование на агрегате.
- НЕ ДОПУСКАЕТСЯ залезать на блок, сидеть и стоять на нем.



ОПАСНО! РИСК ПОРАЖЕНИЯ ЭЛЕКТРИЧЕСКИМ ТОКОМ

- Проследите за тем, чтобы система была правильно заземлена.
- Перед проведением обслуживания выключайте электропитание.
- Установите распределительную коробку перед включением электропитания.



ПРЕДОСТЕРЕЖЕНИЕ

- Проверьте, выдерживает ли место установки вес блока. Неверно выполненный монтаж чреват опасностью. По той же причине может возникать вибрация или посторонний шум.
- Обеспечьте наличие свободного пространства для обслуживания.
- Во избежание вибрации НЕЛЬЗЯ устанавливать блок так, чтобы он соприкасался с потолком или стенами.



ОПАСНО! РИСК ПОРАЖЕНИЯ ЭЛЕКТРИЧЕСКИМ ТОКОМ

Не прикасайтесь к фанкойлам влажными руками. Это чревато поражением электрическим током.

2 Информация о блоке

2.1 Обзор: информация о блоке

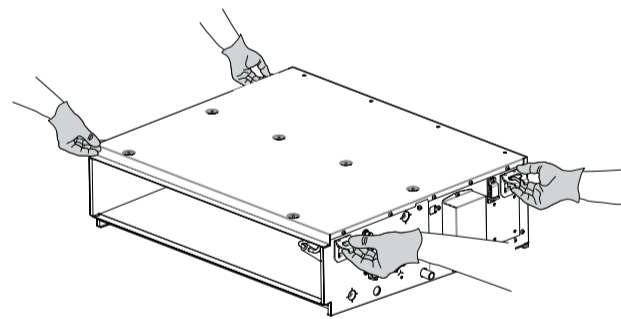
Соблюдайте следующие меры предосторожности:

- Непосредственно после доставки блок ОБЯЗАТЕЛЬНО нужно проверить на предмет повреждений. Обо всех повреждениях НЕОБХОДИМО сразу же поставить в известность представителя компании-перевозчика.
- Старайтесь доставить агрегат как можно ближе к месту монтажа, не извлекая его из упаковки — это сведет к минимуму вероятность механических повреждений при транспортировке.
- Заранее наметьте путь, по которому будете заносить блок в помещение.

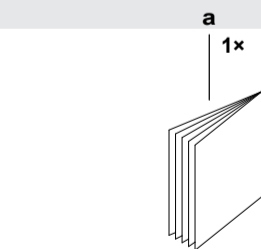
2.2 Распаковка и обращение с фанкойлом

При подъеме блока пользуйтесь стропой из мягкого материала или предохранительными пластинами, закрепленными на тросе, во избежание появления на блоке царапин.

- Поднимайте блок за подвесные скобы, следя за тем, чтобы не было давления на другие его части, особенно на сливную трубу и термоизоляцию.



2.3 Снятие аксессуаров с фанкойла



a Руководство по монтажу

3 Справочная информация о блоках

3 Справочная информация о блоках

3.1 Обзор: информация об агрегатах и дополнительном оборудовании

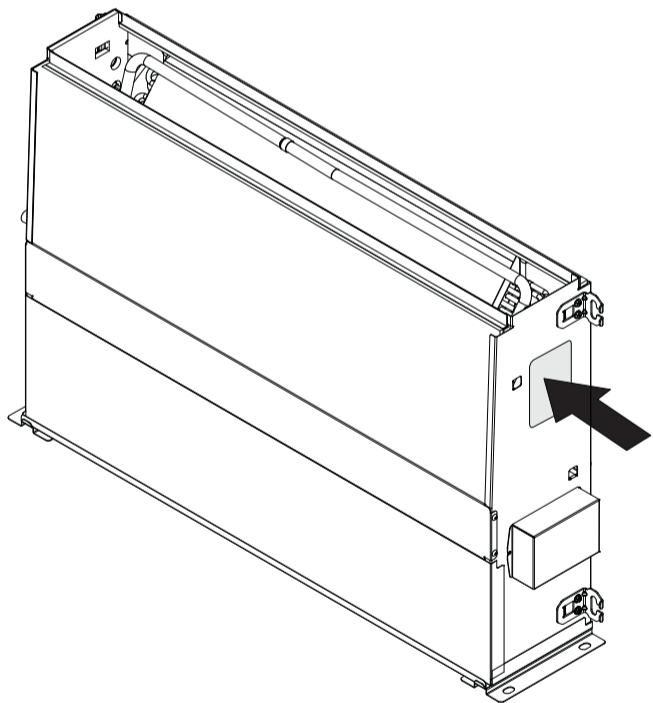
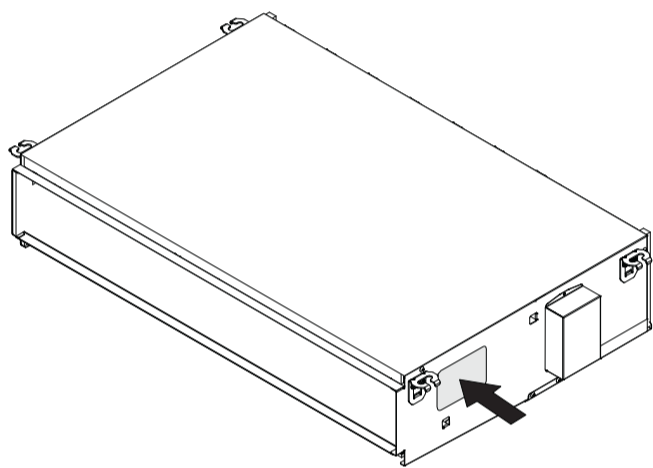
Вот какие сведения изложены в этом разделе:

- Распознавание фанкойла.

3.2 Идентификация

3.2.1 Опознавательная табличка: Фанкойл

Местоположение



Идентификация модели

Пример: FW E 03 D A F N 5 V3 — L

Код	Описание
FW	Водяной фанкойл
E	Переменно-низкое статическое давление (LSP) без корпуса

Код	Описание
03	Класс мощности: 03=1,5 кВт
D	Значительное изменение модели (A-Z)
A	Незначительное изменение
F	4-трубная система
N	Без вентиля
5	Завод HendeK
V3	Электромотор вентилятора / однофазный / 50 Гц / 220~240 В
—	Без опций
L	S: подвод воды слева – электросоединение слева L: подвод воды слева – электросоединение справа T: подвод воды справа – электросоединение справа R: подвод воды справа – электросоединение слева

4 Подготовка

4.1 Обзор: подготовка

В этом разделе рассказывается о том, что нужно сделать, прежде чем отправиться к месту установки.

Вот какие сведения здесь изложены:

- Как подготовить место установки
- Подготовка трубопроводов воды
- Как подготовиться к прокладке электропроводки

4.2 Как подготовить место установки

⚠ ПРЕДУПРЕЖДЕНИЕ

НЕ размещайте под фанкойлом предметы, которые могут намочнуть. Конденсат на поверхности главного блока или трубок с водой, грязь в воздушном фильтре или засор слива могут привести к каплеотделению и, как следствие, к порче или поломке указанных предметов.

ⓘ ПРИМЕЧАНИЕ

Обратитесь к своему поставщику оборудования за рекомендациями о том, как не допускать избыточного статического давления извне на блок.

Не устанавливайте и не эксплуатируйте блок в помещениях, указанных ниже.

- Там, где присутствуют минеральные масла, масляные пары или взвеси, например в кухонных помещениях (во избежание порчи пластмассовых деталей).
- В местах с повышенным содержанием газов, вызывающих коррозию, например паров сернистых соединений. Это может привести к коррозии медных трубок и мест их пайки.
- В местах, где воздух пропитан солями (например, на морском побережье), либо имеют место резкие скачки напряжения (напр., на промышленных предприятиях). На борту транспортных средств и судов.

4 Подготовка

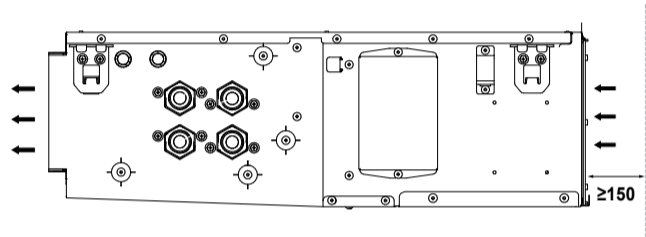
- Где установлено оборудование, излучающее электромагнитные волны. Электромагнитные волны могут помешать функционированию системы управления и вызвать сбой в работе агрегата.
- Где существует риск возгорания вследствие утечки горючих газов (например, разбавитель для краски или бензин), суспензии углеродного волокна или воспламеняемой пыли.

Подбирая место установки, соблюдайте перечисленные ниже условия и согласуйте это место с заказчиком.

Вокруг блока должно быть достаточно свободного места для проведения технического обслуживания. Вокруг блока должно быть достаточно свободного места для свободной циркуляции воздуха (см. размеры свободного места для установки блока).

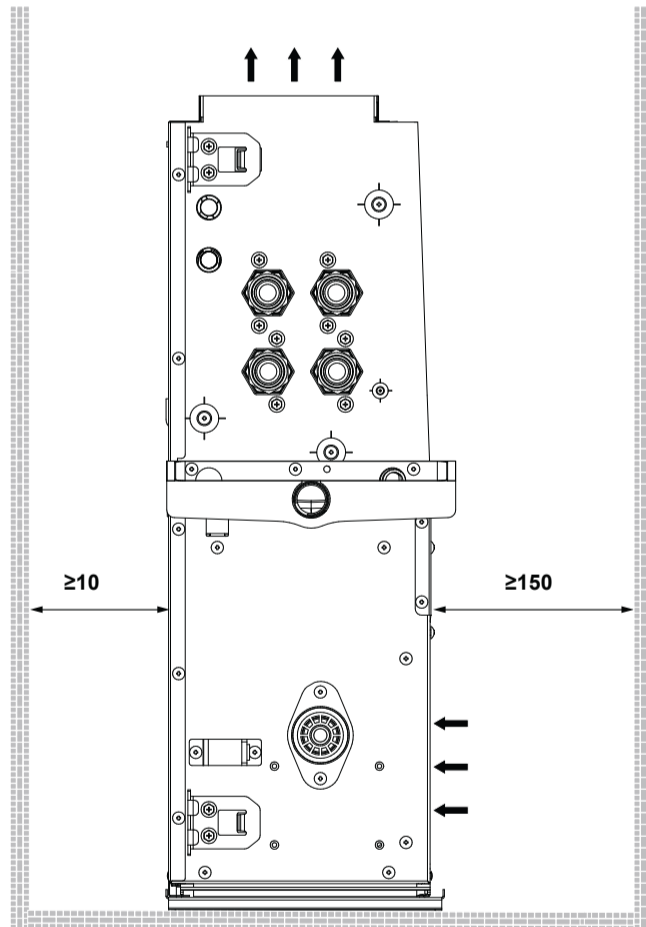
Горизонтальный монтаж

Блок подвешивается к потолку на высоте не менее 2,5 м от пола.



Вертикальный монтаж

Необходимо предусмотреть свободное место по вертикали для обслуживания фильтра в соответствии с указаниями.



⚠ ПРЕДОСТЕРЕЖЕНИЕ

При вертикальном монтаже не пользуйтесь подвесными болтами. Для вертикального монтажа имеется набор монтажных принадлежностей (ESFH01DS).

4.3 Подготовка трубопроводов воды

Блок оснащен патрубками впуска и выпуска воды для подключения к водяному контуру. Водяной контур предоставляется монтажником и должен соответствовать действующим нормативным правилам.

! ПРИМЕЧАНИЕ

Блок следует использовать только в закрытых системах водоснабжения. Применение в открытом водяном контуре может привести к повышенной коррозии трубопроводов воды.

До выполнения работ с трубопроводом воды проверьте следующее:

- Максимальное давление воды: 1 МПа.
- Минимальная температура воды: 5°C.
- Максимальная температура воды: 90°C.
- Проследите за тем, чтобы компоненты трубопроводов по месту установки выдерживали давление и температуру воды.
- Необходимо предусмотреть защиту водяного контура от превышения предельно допустимого рабочего давления.
- Обеспечьте надлежащий слив для клапана сброса давления (если он установлен) во избежание попадания воды на детали под напряжением.
- Необходимо смонтировать запорные клапаны, позволяющие проводить плановое сервисное обслуживание блока без слива воды со всей системы.
- На всех нижних точках системы необходимо смонтировать сливные краны для полного слива воды из контура на время обслуживания блока.
- На всех верхних точках системы необходимо смонтировать клапаны выпуска воздуха. Клапаны должны располагаться в местах, легко доступных для проведения обслуживания.

5 Монтаж

4.4 Подготовка электрической проводки

4.4.1 Подготовка к прокладке электропроводки



ПРЕДУПРЕЖДЕНИЕ

- Используйте ТОЛЬКО медные провода.
- Убедитесь в том, что электропроводка по месту установки системы соответствует действующим законодательным нормам.
- Прокладка электропроводки ОБЯЗАТЕЛЬНО должна осуществляться в соответствии с прилагаемыми к аппарату схемами.
- НИ В КОЕМ СЛУЧАЕ НЕ сдавливайте собранные в пучок кабели, следите за тем, чтобы они не соприкасались с трубами и острыми краями. Проследите за тем, чтобы на разъемы клемм не оказывалось внешнее давление.
- Обязательно выполните заземление. НЕ ДОПУСКАЕТСЯ заземление блока на трубопроводы инженерных сетей, разрядники и телефонные линии. Ненадежное заземление может привести к поражению электрическим током.
- Для питания системы необходима отдельная цепь электропитания. НЕ ДОПУСКАЕТСЯ подключение к электрической цепи, которая уже подает питание на другое оборудование.
- Проследите за установкой предохранителей или размыкателей цепи.
- Необходимо установить предохранитель утечки на землю. Невыполнение этого требования может привести к поражению электрическим током или к возгоранию.
- Устанавливая средство защиты от утечки на землю, убедитесь в том, что оно совместимо с инвертором (устойчиво к электрическому шуму высокой частоты). Это позволит избежать ложных срабатываний средства защиты.



ПРИМЕЧАНИЕ

Оборудование, о котором рассказывается в данном руководстве, может служить источником электрических помех, вызываемых токами высокой частоты. Данное оборудование соответствует нормативам, утвержденным в целях обеспечения разумной защиты от электромагнитных помех. Тем не менее, отсутствие помех в каждой конкретной ситуации не гарантируется.

Поэтому рекомендуется устанавливать это оборудование и размещать электропроводку на соответствующем удалении от стереофонической аппаратуры, персональных компьютеров и т.п.



ПРЕДУПРЕЖДЕНИЕ

К монтажу электрических соединений и компонентов допускаются ТОЛЬКО аттестованные электрики в СТРОГОМ соответствии с действующим законодательством.



ОПАСНО! РИСК ПОРАЖЕНИЯ ЭЛЕКТРИЧЕСКИМ ТОКОМ



ПРЕДУПРЕЖДЕНИЕ

В стационарной проводке ОБЯЗАТЕЛЬНО предусматривается главный выключатель или другие средства разъединения по всем полюсам в соответствии с действующим законодательством.

Электрические характеристики

	FWE-D
Фаза	1N~
Частота	50 А
Диапазон напряжения	220~240 В
Допустимые колебания напряжения	±10%
Максимальный рабочий ток	0,46 А
Предохранитель от перегрузки	16 А

Спецификации проводки по месту установки

	Площадь сечения	Размер (мм ²)	Длина
Провод электропитания	H05VV-U3G ^{(a)(b)}	Согласно действующему законодательству, не более 4,0	—
Провода пульта дистанционного управления и сигнальная проводка	2-жильный экранированный кабель ^(c)	0,75~1,25	≤500 м ^(d)

^(a) Только для защищенных трубопроводов. Если изоляции нет, используется H07RN-F.

^(b) Для защиты электропроводки от внешнего воздействия проложите ее в кабелепроводе.

^(c) Пульт дистанционного управления подключается кабелем с двойной изоляцией (толщина обшивки — не менее 1 мм) или проводами, проложенными сквозь стену в кабелепроводе так, чтобы пользователь с ними не соприкасался.

^(d) Длина проводки должна соответствовать ее общей длине для системы с групповым управлением.

5 Монтаж

5.1 Монтаж фанкойла



ИНФОРМАЦИЯ

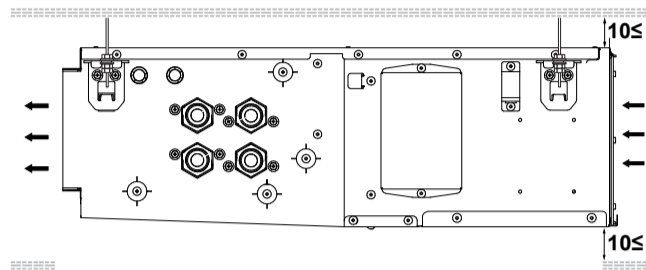
Расстояние от потолка до блока должно составлять не менее 10 мм, а зона всасывания не должна быть менее 150 мм.



ИНФОРМАЦИЯ

Все перечисленные детали приобретаются по месту установки. За консультациями по поводу установки, отличающейся от стандартной, обращайтесь к своему поставщику оборудования.

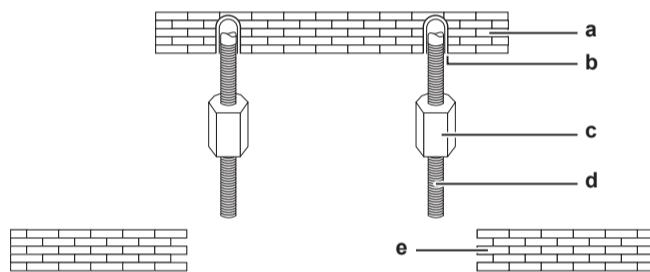
5.1.1 Горизонтальный монтаж



1 Прodelайте нишу в потолке по месту монтажа.

Потолочные балки, возможно, придется укрепить во избежание прогиба и вибрации потолка. Проконсультируйтесь по этому поводу со строителями.

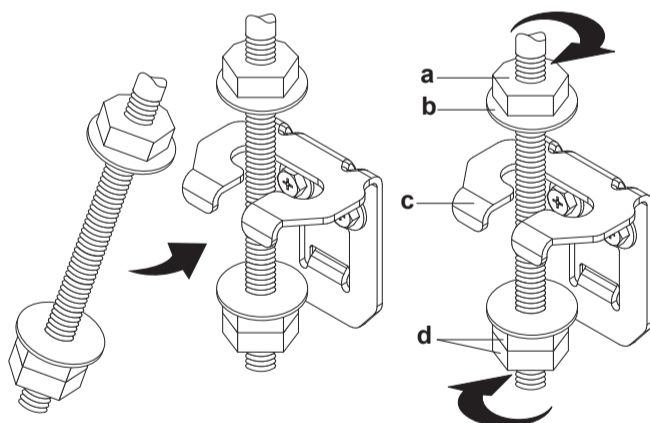
2 Установите подвесные болты. Пользуйтесь болтами W3/8 или M10. Если нужно укрепить потолки, которые должны выдерживать вес блока, используйте анкеры для уже имеющихся потолков, а для новых потолков — врезные втулки, врезные анкеры или другие детали, приобретаемые по месту установки. По этому шаблону проверяются места, требующие укрепления. Прежде чем продолжать работу, отрегулируйте зазор до потолка.



- a Потолочная плита
- b Анкер
- c Длинная муфта или винтовая стяжка
- d Подвесной болт
- e Подвесной потолок

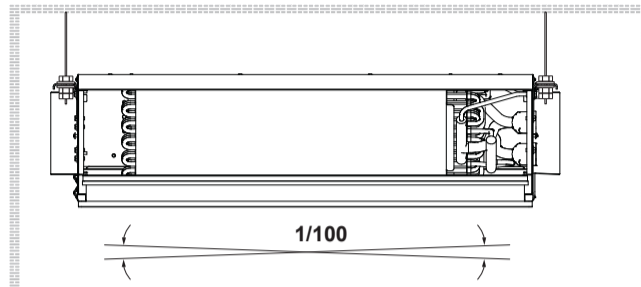
3 Временная установка блока.

Прикрепите подвесной кронштейн к подвесному болту. Прочно закрепите блок.



- a Гайка (приобретается по месту установки)
- b Шайба (приобретается по месту установки)
- c Подвесной кронштейн
- d Сдвоенная гайка (приобретается по месту установки)

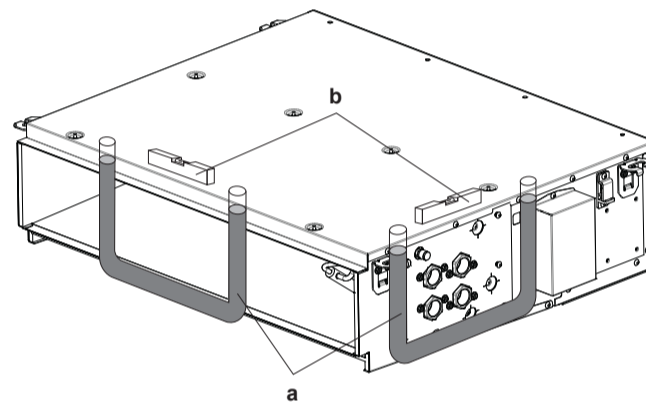
4 Отрегулируйте положение блока для монтажа.



5 Проверьте выравнивание блока по горизонтали.

Не устанавливайте блок в наклонном положении. Наклон блока в сторону, противоположную току конденсата (сторона сливного трубопровода приподнята), может привести к протечке воды каплями.

Проверьте выравнивание блока по всем 4 углам с помощью водяного уровня или пластмассовой трубки, наполненной водой.



- a Пластмассовая трубка
- b Уровень

5.1.2 Вертикальный монтаж

ПРИМЕЧАНИЕ

Соединяя трубки, НЕ применяйте чрезмерную силу. Деформация трубок может привести к нарушениям в работе блока. Проследите за тем, чтобы все винты затягивались с моментом 3 Н•м.

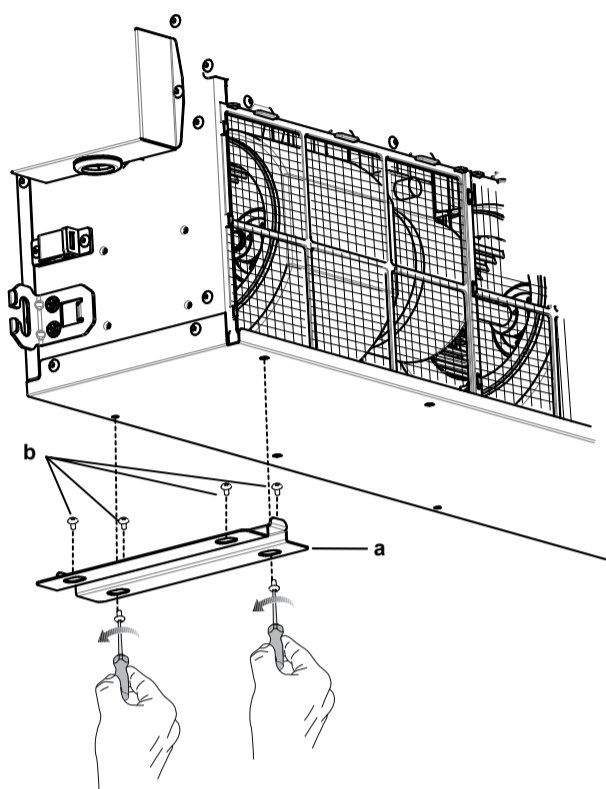
ПРИМЕЧАНИЕ

Поставщик оборудования должен предоставить комплект принадлежностей (ESFH01DS) для вертикального монтажа блока.

1 Временно установите блок.

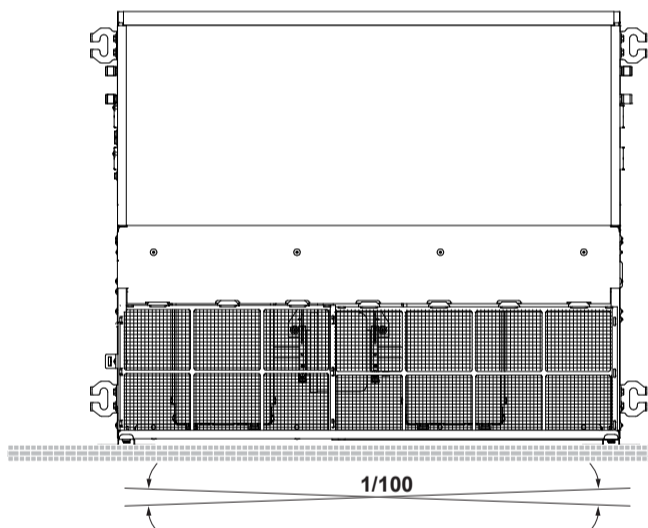
Установите блок на пол на монтажных ножках. Проследите за устойчивостью блока на полу. Чтобы блок не опрокинулся, можете закрепить его на полу винтами, вставив их в отверстия в монтажных ножках.

5 Монтаж



a Монтажная ножка
b Крепежный винт

- 2 Отрегулируйте положение блока для монтажа.

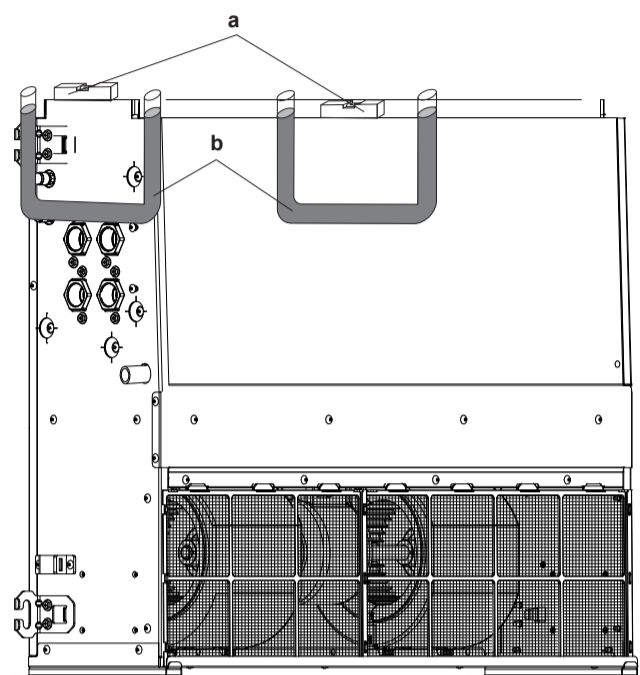


a Уровень
b Пластмассовая трубка

- 3 Проверьте выравнивание блока по горизонтали.

Не устанавливайте блок в наклонном положении. Наклон блока в сторону, противоположную току конденсата (сторона сливного трубопровода приподнята), может привести к протечке воды каплями.

Проверьте выравнивание блока по всем четырем углам с помощью водяного уровня или пластмассовой трубки, наполненной водой.



5.2 Вертикальный монтаж вместо горизонтального

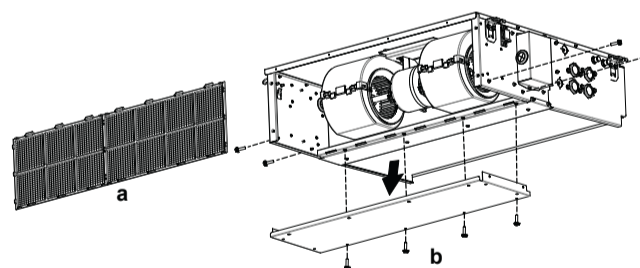
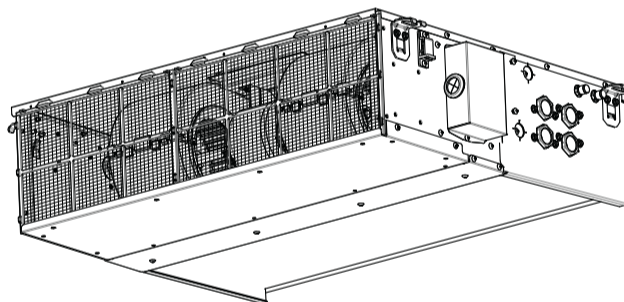


ПРЕДОСТЕРЕЖЕНИЕ

Убедитесь в том, что блок выровнен по всем направлениям.

Замена горизонтального монтажа вертикальным производится в изложенном далее порядке.

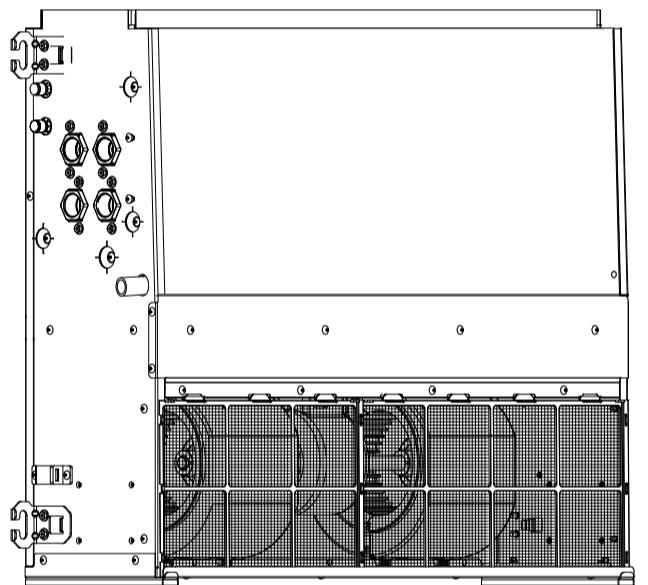
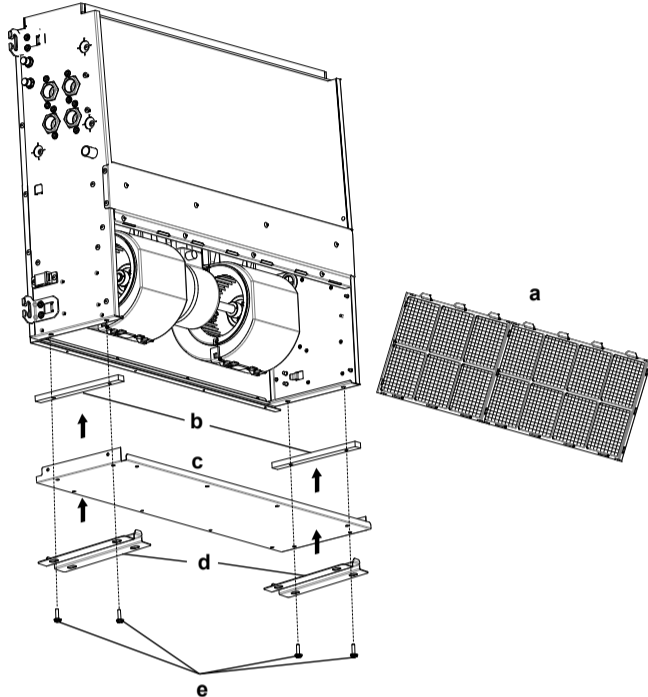
- 1 Снимите воздушный фильтр.
- 2 Отвернув винты, снимите сервисную крышку с блока.



- 3 Вставьте резиновую подпорку (входит в комплект принадлежностей) в зазор между боковой панелью и нижними фланцами.
- 4 Установите снятую сервисную крышку на нижнюю сторону блока.
- 5 Подсоедините к сервисной крышке 2 монтажные ножки из комплекта принадлежностей для вертикального монтажа, закрепив их 4 винтами из того же комплекта.

5 Монтаж

- 6 Установите воздушный фильтр на направляющие, встроенные в сервисную крышку.
- 7 Блок готов к вертикальному монтажу.



- a Воздушный фильтр
- b Сервисная крышка
- c Монтажные ножки
- d Винты
- e Воздушный фильтр

5.3 Соединение трубопроводов воды

⚠️ ПРИМЕЧАНИЕ

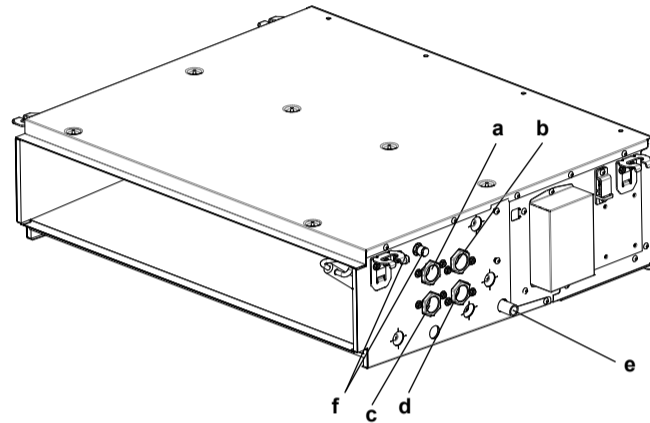
Соединяя трубки, не применяйте чрезмерную силу. Это может привести к деформации трубок. Деформация трубок может стать причиной сбоев в работе блока.

⚠️ ПРЕДОСТЕРЕЖЕНИЕ

Регулировать циркуляцию воды по блоку можно только клапанами. Клапаны должны быть типа NC (normally closed, т.е. обычно перекрытые), чтобы они перекрывались, когда блок не работает. Это предотвращает образование водяного конденсата.

5.3.1 Для соединения трубопроводов воды

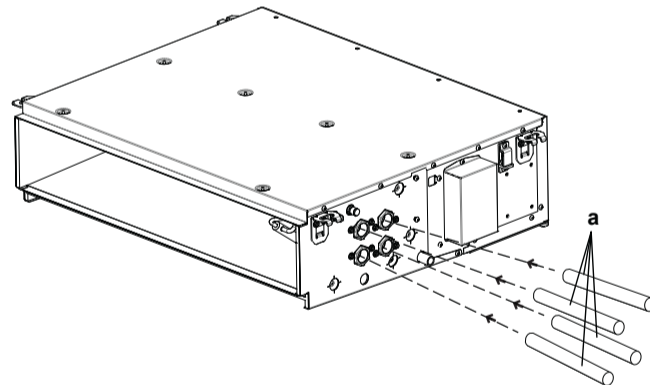
- 1 Подсоедините водяные трубопроводы к патрубкам фанкойла для подвода и слива воды.



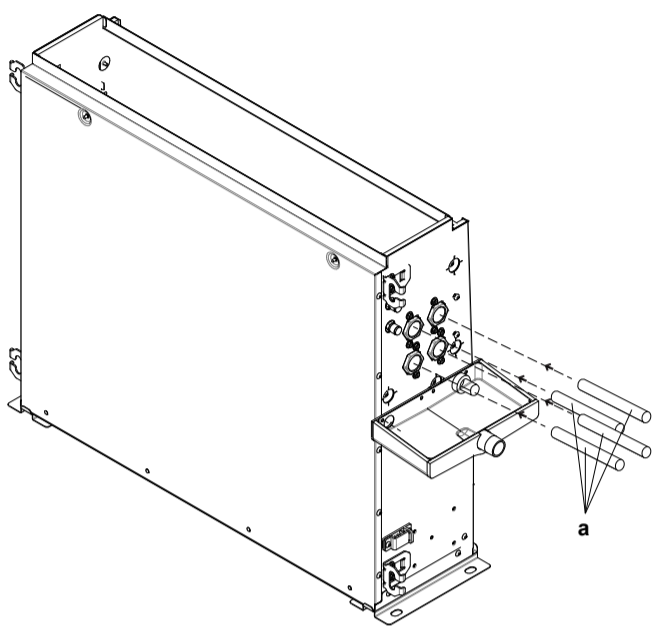
- a Подсоединение сливного трубопровода (с наружной резьбой 3/4 дюйма)
- b Подвод холодной воды (с внутренней резьбой BSP 3/4 дюйма)
- c Слив холодной воды (с внутренней резьбой BSP 3/4 дюйма)
- d Подвод воды для обогрева (с внутренней резьбой BSP 3/4 дюйма)
- e Слив воды для обогрева (с внутренней резьбой BSP 3/4 дюйма)
- g Клапан выпуска воздуха

Примечание: При подсоединении непосредственно к блоку пользуйтесь трубкой с наружной резьбой BSP 3/4 дюйма.

- 2 Контур циркуляции воды, в том числе и все трубопроводы, необходимо теплоизолировать во избежание образования конденсата и падения производительности.



5 Монтаж



а Соединительная трубка

5.3.2 Заполнение контура циркуляции воды

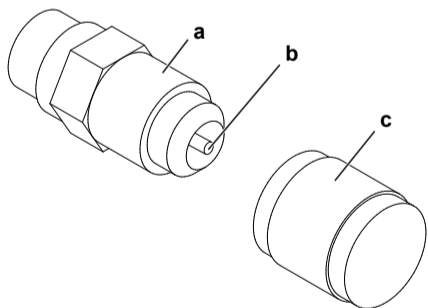
! ПРИМЕЧАНИЕ

Убедитесь, что качество воды соответствует Директиве ЕС 98/83 ЕС.

! ПРИМЕЧАНИЕ

- Присутствие воздуха в контуре циркуляции воды может привести к сбоям в работе. Возможно, во время заправки из контура удастся удалить не весь воздух. Оставшийся воздух будет удален через автоматические клапаны выпуска воздуха в первые часы работы системы. Впоследствии может потребоваться дополнительная заправка воды.
- Для продувки системы пользуйтесь особой функцией, о которой рассказывается в разделе «6 Ввод в эксплуатацию» на стр. 157.

- 1 Откройте колпачок.
- 2 Нажмите на клапан сброса давления, чтобы выпустить воздух из контура (-ов) циркуляции воды по блоку.
- 3 Закройте колпачок.
- 4 После этого, возможно, понадобится долить воды (только не через клапан выпуска воздуха).



а Клапан выпуска воздуха
b Клапан сброса давления
c Колпачок

5.4 Подключение электропроводки

5.4.1 Подсоединение электропроводки

Типовая последовательность действий

Подключение электропроводки, как правило, подразделяется на следующие этапы:

- 1 Проверка системы энергоснабжения на соответствие электрическим характеристикам блоков.
- 2 Подключение электропроводки к фанкойлу.
- 3 Смена направления прокладки электропроводки (если нужно).

5.4.2 Рекомендации относительно подсоединения электропроводки

При подключении кабелей одинакового сечения следуйте приведенной ниже схеме.



При подключении электропроводки необходимо соблюдать следующие правила.

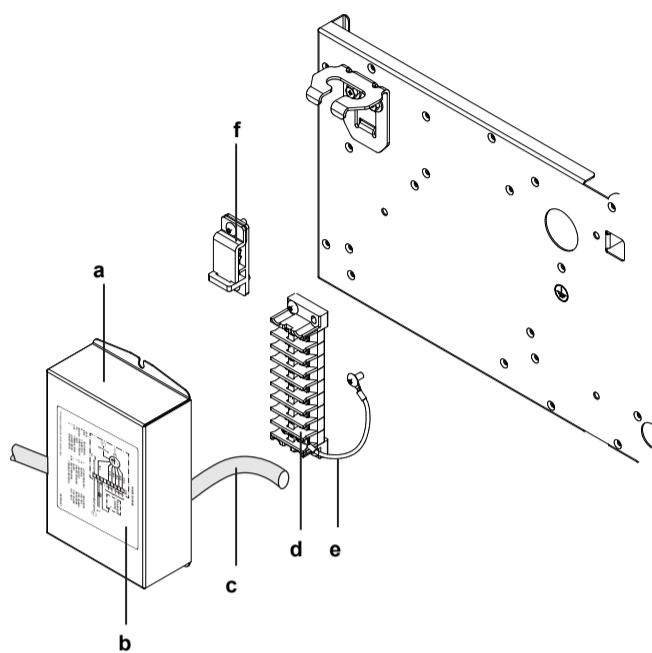
- Не подключайте к одной клемме провода с разными сечениями. Слабый контакт может привести к перегреву места подключения.
- Не подключайте провода с разными сечениями к одному контакту заземления. Слабый контакт снижает надежность защиты системы.
- Применяйте провода только указанных типов (см. «Спецификации проводки по месту установки» на стр. 150). Проверяйте надежность их подключения. Применяйте подходящий момент затяжки (Н•м).
- Момент затяжки для клеммной колодки электропитания: 1,44~1,88 Н•м.
- Обращайтесь с проводкой аккуратно, следите за тем, чтобы провода не мешали работе другого оборудования, а крышка клеммной колодки случайно не открылась. Следите за тем, чтобы крышка всегда была плотно закрыта. Помните, что ненадежные контакты могут послужить причиной выделения тепла, поражения электротоком и даже возгорания.

5.4.3 Подключение электропроводки к фанкойлу

См. наклейку с электросхемой на крышке клеммной колодки.

! ПРИМЕЧАНИЕ

- Следите за соответствием электрической схеме (входит в комплект поставки блока, нанесена на крышку распределительной коробки).
- Проверьте, НЕ помешает ли электропроводка установить крышку для техобслуживания на место.



- a Крышка клеммной колодки
- b Наклейка
- c Кабель электропитания
- d Клеммная колодка
- e Провод заземления
- f Кабельная стяжка

- 1 Снимите с блока крышку клеммной колодки и кабельную стяжку.
- 2 Подсоедините проводку электропитания к клеммной колодке.
- 3 Закрепите кабель электропитания кабельной стяжкой.
- 4 Установите крышку клеммной колодки на место.

5.4.4 Смена направления прокладки электропроводки



ПРИМЕЧАНИЕ

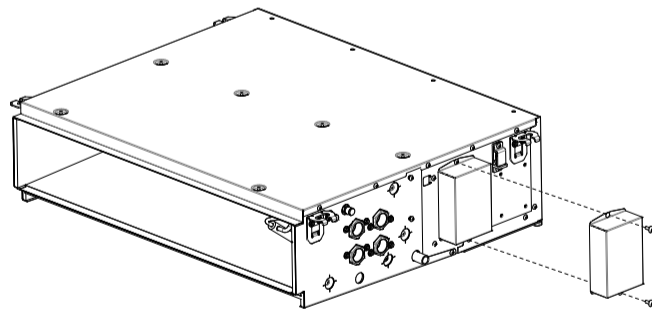
Сменить направление прокладки электропроводки на противоположное можно по месту установки оборудования.



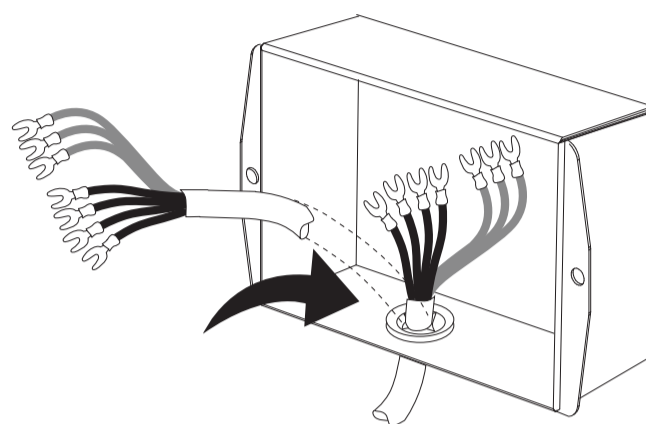
ПРИМЕЧАНИЕ

Устанавливая на место снятую крышку клеммной колодки, следите за тем, чтобы не пережать проводку.

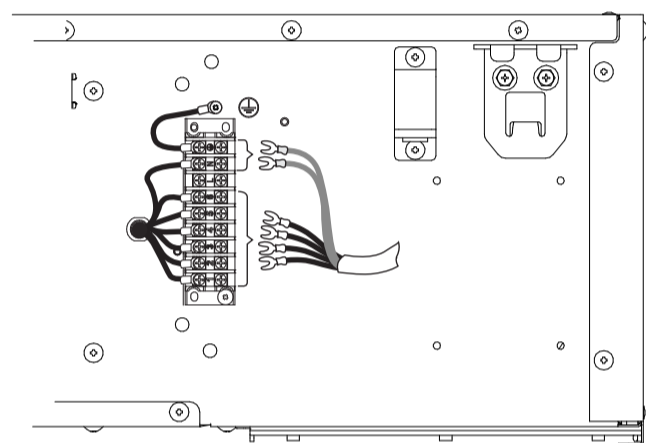
- 1 Снимите крышку клеммной колодки, саму колодку, кабельную стяжку, провод заземления и проводку к электромотору вентилятора.



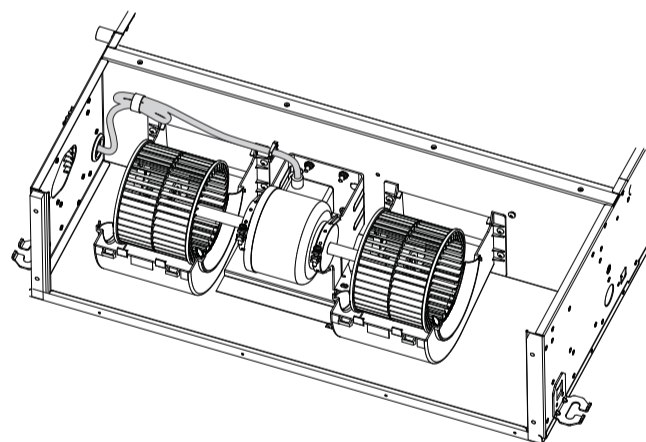
- 2 Выньте из кабельной стяжки проводку к электромотору вентилятора.



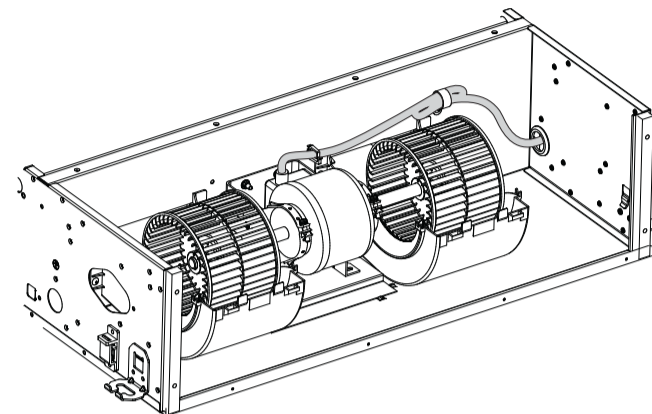
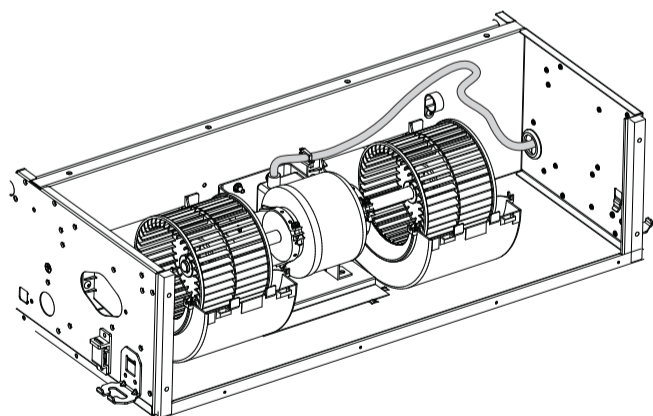
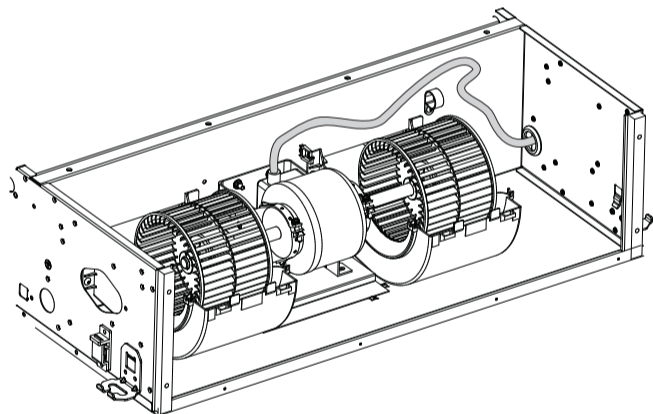
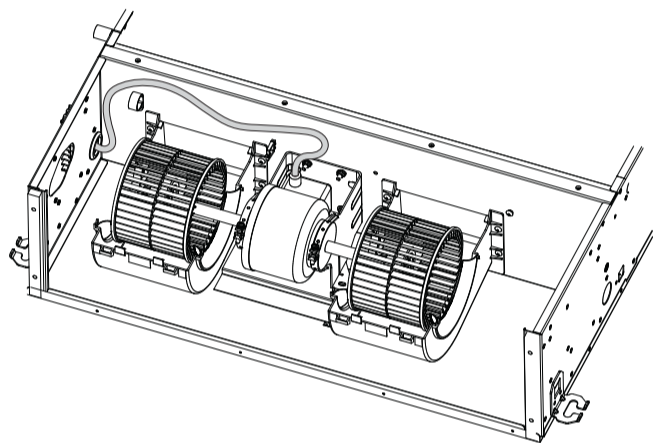
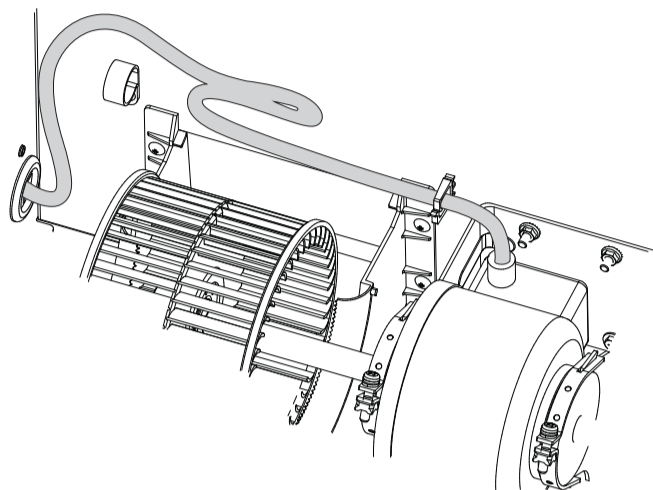
- 3 Смените направление прокладки проводки к электромотору вентилятора.



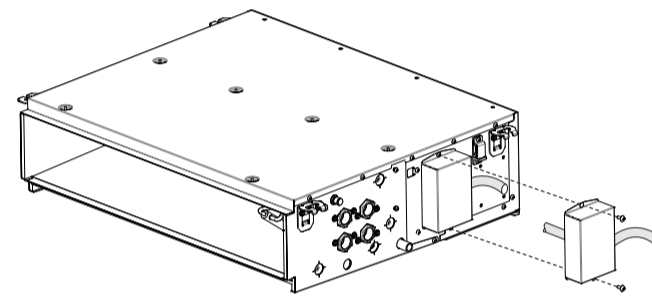
- 4 Закрепите провода на разделительной перегородке. Прочно закрепите не используемые провода кабельным зажимом в новом положении.



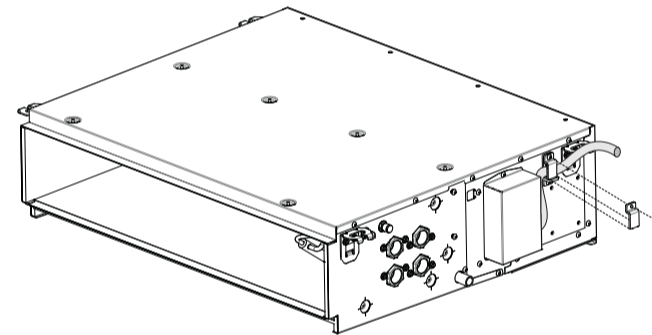
5 Монтаж



5 Установите на место ранее снятые детали блока.



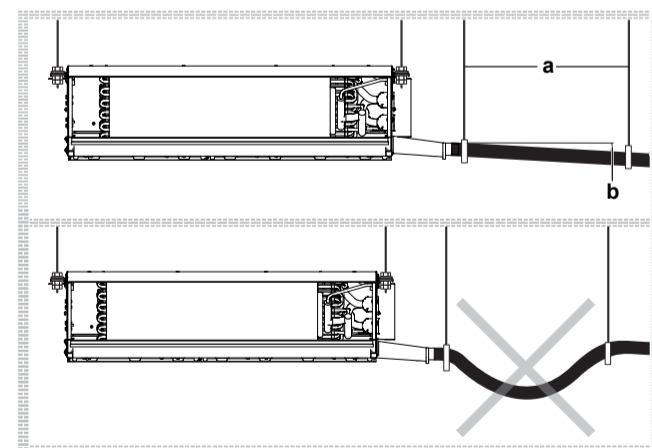
6 Верните кабельную стяжку на место, чтобы закрепить проводку.



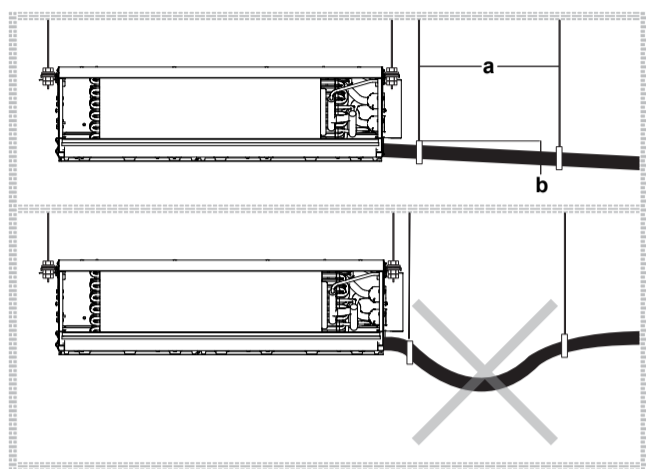
5.5 Подсоединение сливного трубопровода

5.5.1 Порядок подсоединения сливного трубопровода к блоку

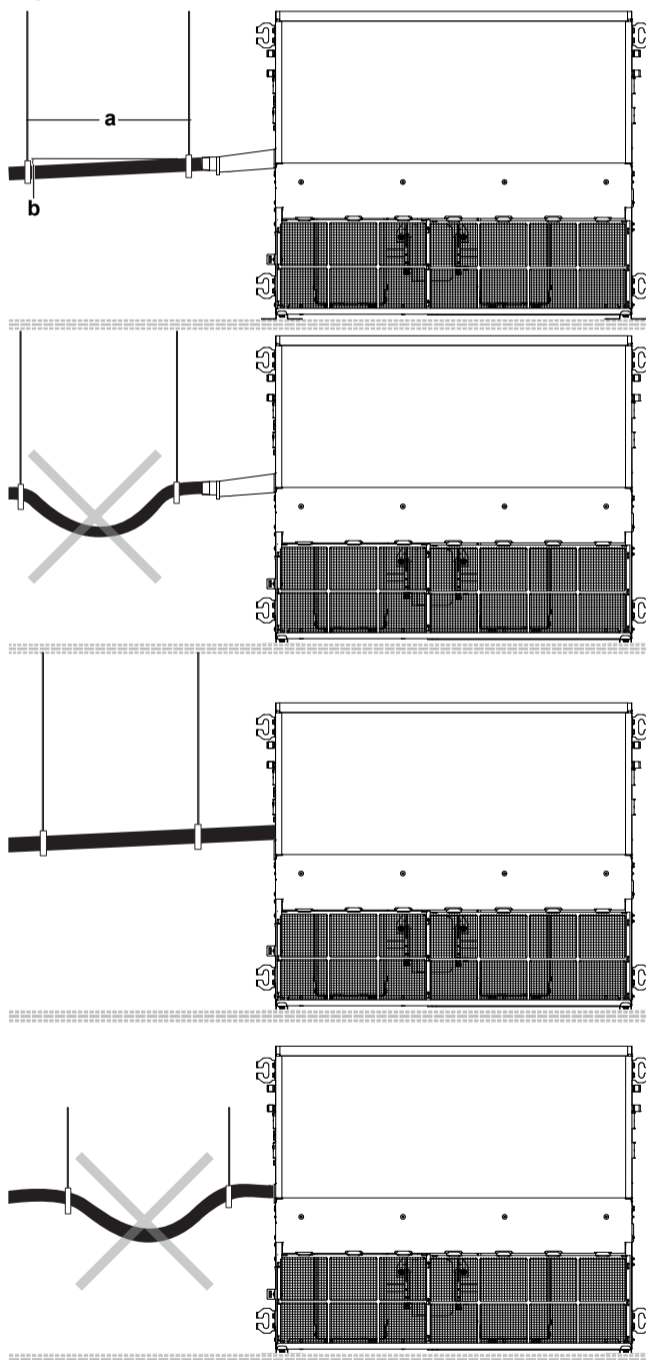
Горизонтальный монтаж



6 Пусконаладка



Вертикальный монтаж



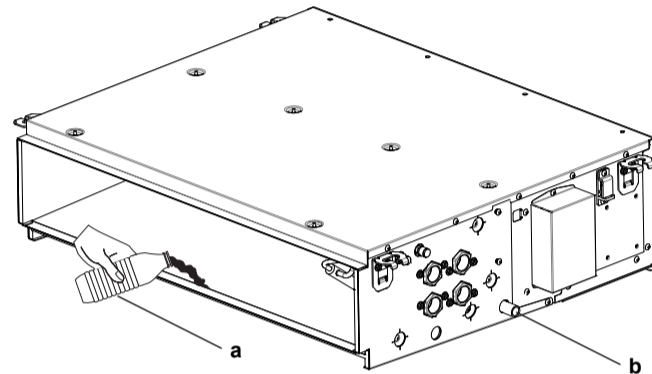
- a Подвесная планка
- b Уклон не менее 1/100

Длина сливного трубопровода должна быть минимальной. Во избежание образования воздушных пробок трубопровод должен иметь постоянный уклон не менее 1/100.

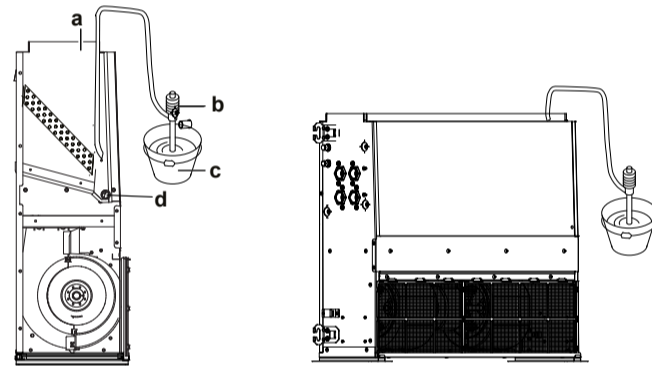
5.5.2 Проверка сливного трубопровода

После завершения прокладки сливного трубопровода убедитесь в том, что вода по нему стекает свободно.

- 1 Медленно залейте около 1 литра воды через отверстие выпуска воздуха.



- a Пластиковая бутылка с водой
- b Сливная горловина



- a Выброс воздуха
- b Переносной насос
- c Ведро
- d Сливной патрубок

- 2 Взглянув на сливную горловину, проверьте, работает ли слив.

6 Пусконаладка

Просьба предоставить заказчикам данные экологического проектирования согласно требованиям директивы (EU)2016/2281. Эти данные приводятся в справочном руководстве по монтажу и размещаются на сайте Daikin.



ПРИМЕЧАНИЕ

Блок допускается к эксплуатации ТОЛЬКО с термисторами и (или) датчиками/реле давления. ИНАЧЕ может возникнуть угроза возгорания компрессора.

6.1 Порядок выполнения пробного запуска

По окончании установки монтажник обязан проверить работоспособность оборудования. Если что-то пошло не так и блок не работает, обратитесь к своему поставщику оборудования.

7 Техническое и иное обслуживание

! ПРИМЕЧАНИЕ

Прерывать пробный запуск нельзя.

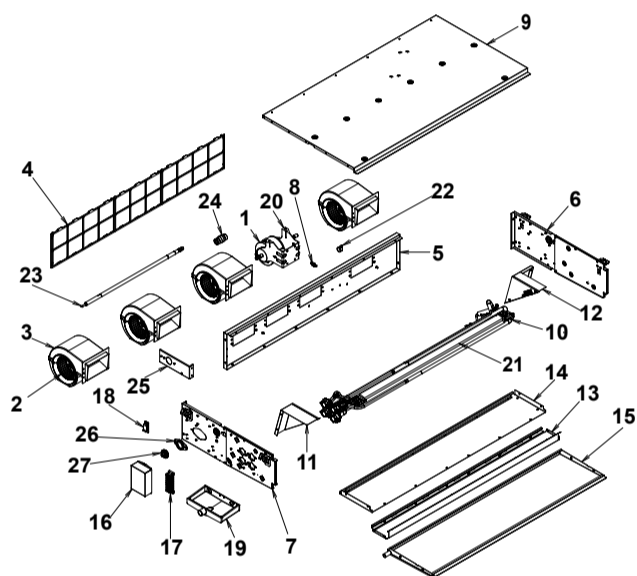
! ПРИМЕЧАНИЕ

НЕ пытайтесь демонтировать систему самостоятельно: демонтаж системы, удаление холодильного агента, масла и других компонентов ДОЛЖНЫ проводиться в соответствии с действующим законодательством. Блоки НЕОБХОДИМО сдавать на специальную перерабатывающую станцию для утилизации, переработки и вторичного использования.

! ПРЕДУПРЕЖДЕНИЕ

Примите адекватные меры по недопущению попадания в агрегат мелких животных. При контакте мелких животных с электрическими деталями возможны сбои в работе блока, задымление или возгорание.

Снимайте винты подходящим инструментом. Разборка аппарата производится, как показано ниже.



Перечень инструкции по утилизации FWE-D	
Материалы	Позиция
Электрооборудование (электромотор вентилятора + конденсатор)	1
Алюминий (ребра) + медь (трубки) + оцинкованная сталь (панели) + латунь	10
Пластмасса	2, 18, 8, 22, 27
Пластмасса + металл	3, 17, 24
Пластмасса (рама) + пластмасса (сетка)	4
Оцинкованная сталь	5, 9, 13, 14, 16, 20, 23, 25, 26
Оцинкованная сталь + пенопласт	6, 7, 11, 12, 15, 19
Пенопласт	21

6.2 Предпусковые проверочные операции

Сразу же после монтажа блока проверьте перечисленное ниже. После проверки по всем пунктам блок необходимо закрыть. Питание можно подавать только на закрытый блок.

<input type="checkbox"/>	Монтаж Убедитесь в том, что блок установлен надлежащим образом, чтобы исключить возникновение излишних шумов и вибраций.
<input type="checkbox"/>	Дренаж Проследите за тем, чтобы слив был равномерным. Возможное следствие: Возможно вытекание конденсата.
<input type="checkbox"/>	Напряжение электропитания Проверьте напряжение электропитания в местном распределительном щитке. Оно ДОЛЖНО соответствовать значению, указанному на имеющейся на блоке идентификационной табличке.
<input type="checkbox"/>	Заземление Убедитесь в том, что провода заземления подсоединены правильно, а все контакты надежно закреплены.
<input type="checkbox"/>	Предохранители, размыкатели цепи, защитные устройства Проследите за тем, чтобы параметры установленных при монтаже системы плавких предохранителей, размыкателей цепи и установленных по месту защитных устройств соответствовали указанным в разделе «4.4 Подготовка к прокладке электропроводки» на стр. 150. Убедитесь в том, что ни один из предохранителей и ни одно из защитных устройств не заменено перемычками.
<input type="checkbox"/>	Внутренняя электропроводка Осмотрите блок электрических компонентов, в том числе изнутри, на предмет неплотных электрических контактов и повреждения деталей.
<input type="checkbox"/>	Механические повреждения Осмотрев блок изнутри, убедитесь в том, что его детали не имеют механических повреждений, а трубы не перекручены и не пережаты.
<input type="checkbox"/>	Забор и выброс воздуха Убедитесь в том, что забор и выброс воздуха в блоке НЕ затруднен никакими препятствиями: листами бумаги, картона и т.п.

7 Техническое и иное обслуживание

! ПРИМЕЧАНИЕ

Техническое обслуживание может проводиться ТОЛЬКО уполномоченным монтажником или специалистом по обслуживанию.

Техническое обслуживание рекомендуется проводить не реже раза в год. При этом следует учесть, что действующим законодательством может предписываться сокращенная периодичность техобслуживания.

7.1 Правила чистки воздушного фильтра

Когда?

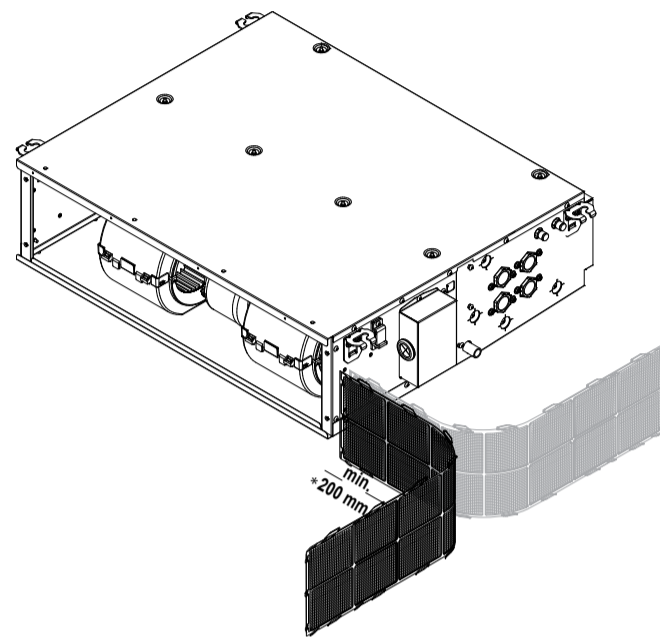
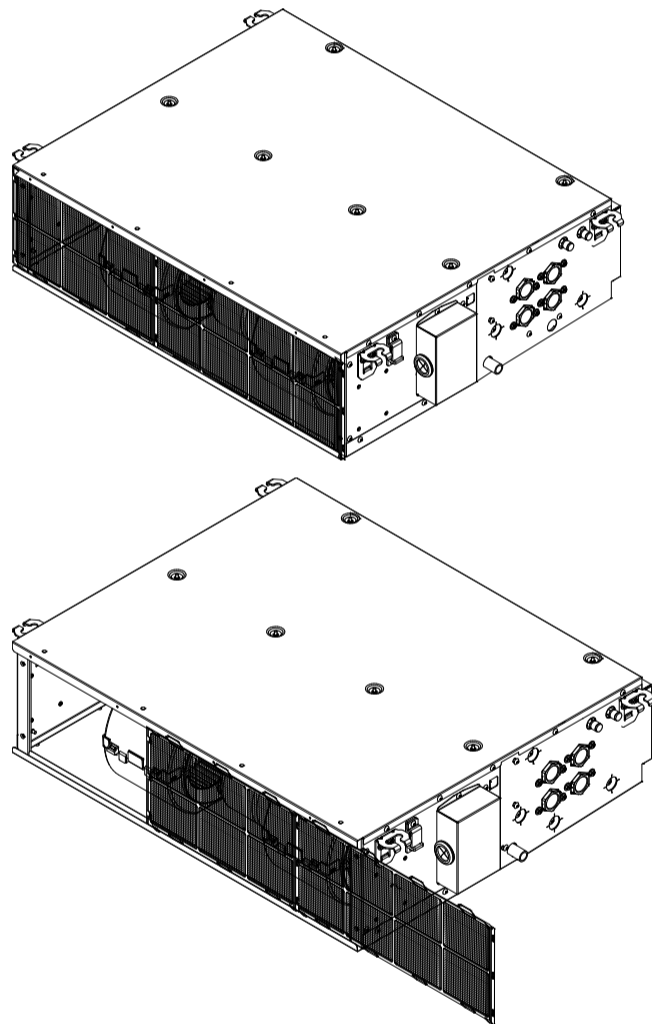
- Чистка выполняется раз в полгода. При сильном загрязнении воздуха в помещении воздушный фильтр необходимо чистить чаще.
- Если грязь не счищается, замените воздушный фильтр фирменным аналогом.

Как?

- 1 Выключите электропитание.
- 2 Воздушный фильтр устанавливается в 1 из 2 предусмотренных для этого мест (сбоку или внизу блока). Снимите фильтр, сдвинув его, как показано ниже.

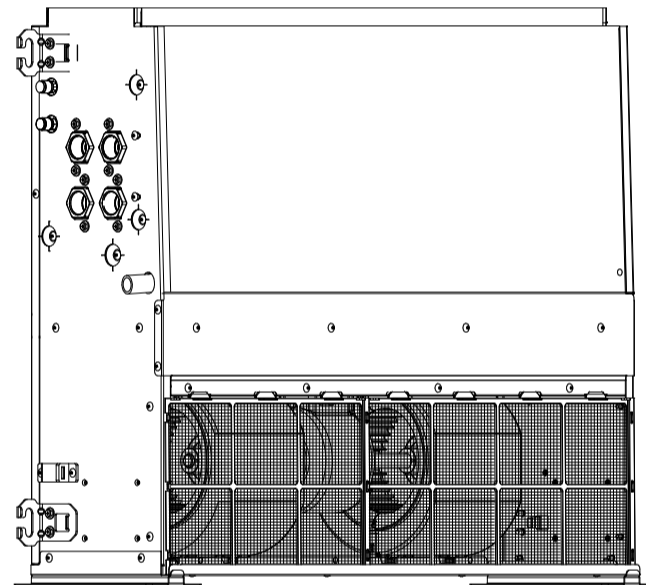
Горизонтальный монтаж

Снимите фильтр, сдвигая его.

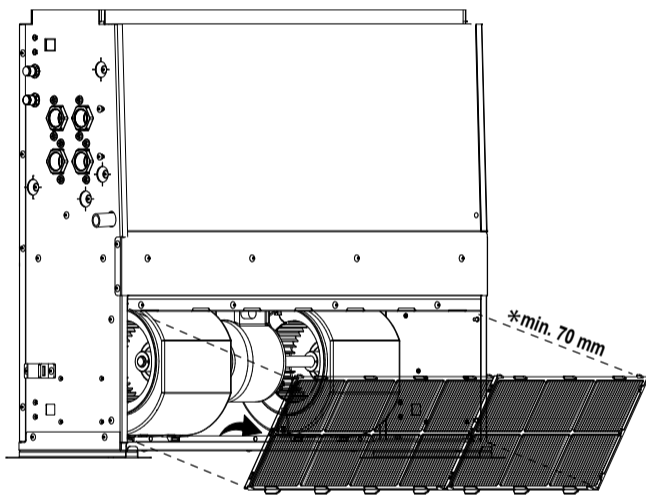
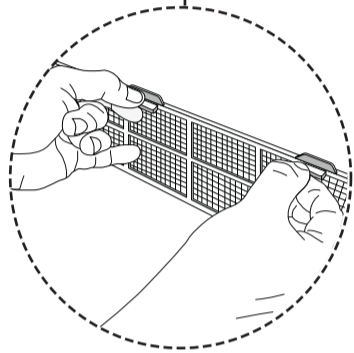
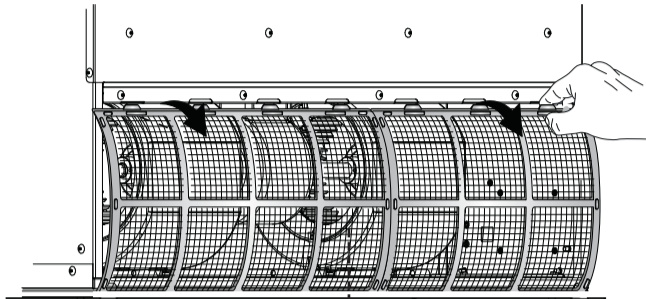


Вертикальный монтаж

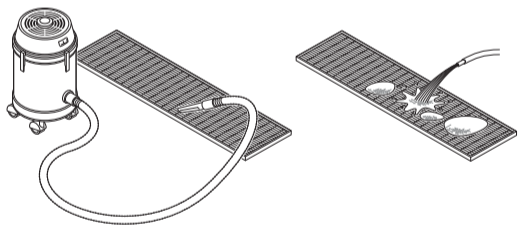
Нажав на язычки фильтра, потяните его на себя.



7 Техническое и иное обслуживание



- 3 Прочистите воздушный фильтр пылесосом или промойте его водой. Если фильтр сильно загрязнен, можно использовать мягкую щетку и нейтральное моющее средство.



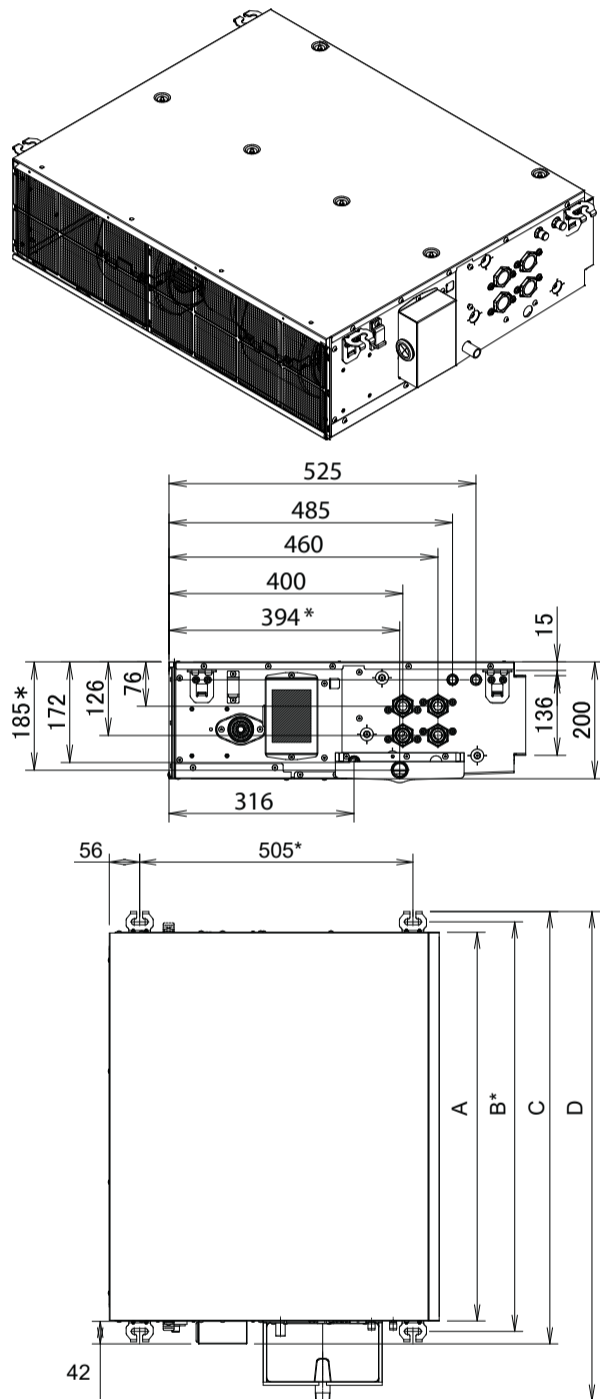
- 4 Установите воздушный фильтр на место.

8 Технические данные

- Подборка самых свежих технических данных размещена на региональном веб-сайте Daikin (в открытом доступе).
- Полные технические данные в самой свежей редакции размещаются на интернет-портале Daikin Business Portal (требуется авторизация).

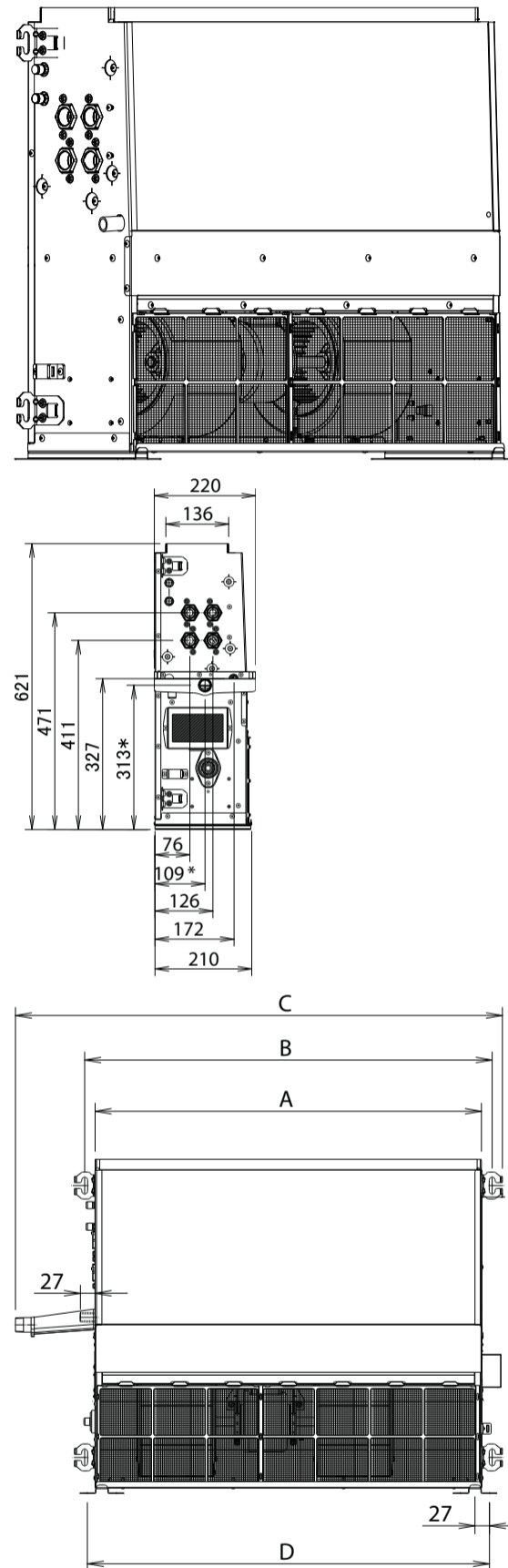
8.1 Габариты

Горизонтальная компоновка



Единица измерения: мм	A	B	C	D
FWE03~05	719	757	799	909
FWE06	919	957	999	1109
FWE07~11	1119	1157	1199	1309

Вертикальная компоновка



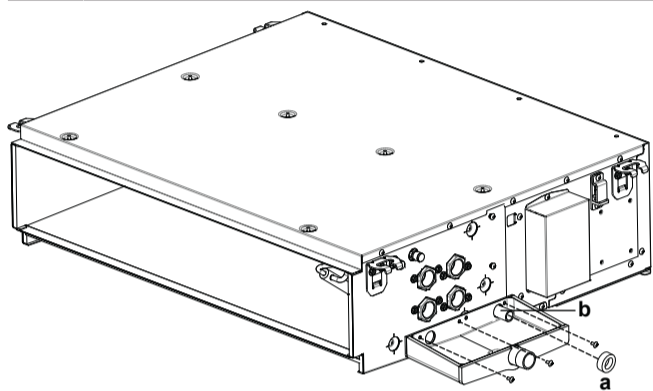
Единица измерения: мм	A	B	C	D
FWE03~05	719	757	909	747
FWE06	919	957	1109	947
FWE07~11	1119	1157	1309	1147

8 Технические данные

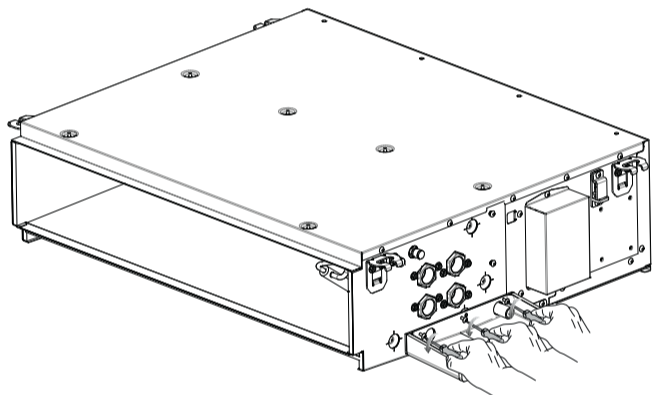
Регулируемый сливной поддон (горизонтальный)

ПРЕДОСТЕРЕЖЕНИЕ

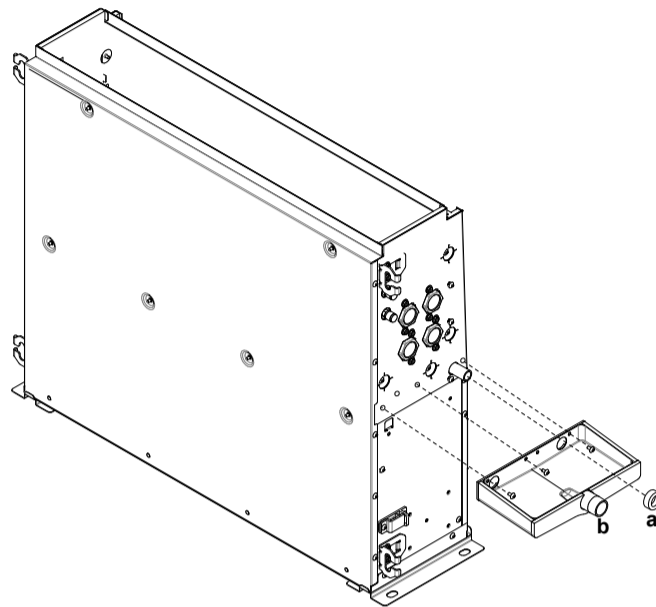
Установив дополнительный сливной поддон, не забудьте о резиновом уплотнении сливной горловины. Конденсат на поверхности главного блока или трубок с водой, грязь в воздушном фильтре или засор слива могут привести к каплеотделению и, как следствие, к порче или поломке любых подставленных под блок предметов.



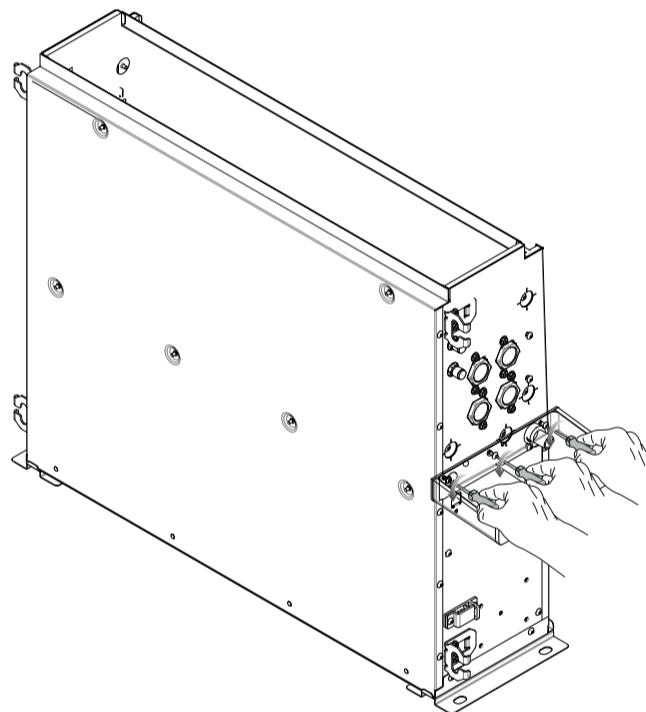
- a Резиновое уплотнение сливной горловины
- b Дополнительная сливная горловина



Регулируемый сливной поддон (вертикальный)



- a Резиновое уплотнение сливной горловины
- b Дополнительная сливная горловина



8.2 Схема электропроводки

Обозначения клемм

Обозначение	Расшифровка
	Соединение
X1M	Основная клеммная колодка
-----	Оборудование, приобретаемое отдельно
	Плата
	Защитное заземление
	Заземление
---■□■---	Проводка по месту установки

Проводка к электромотору вентилятора

WHT	Белый
GRN	Зеленый
RED	Красный
ORG	Оранжевый
BRN	Коричневый
YLW	Желтый
BLU	Синий
GRN/YLW	Зеленый/желтый
C1	Конденсатор
F1U	Плавкий предохранитель
X1M	Клеммная колодка
M	Электромотор вентилятора

8 Технические данные

8.3 Информационные требования экологичного проектирования

Данные маркировки энергоэффективности наружных/внутренних блоков партии 21 и их сочетаний можно сверить в изложенном далее порядке.

- 1 Откройте веб-страницу по адресу: <https://energylabel.daikin.eu/>
- 2 Выберите для сверки:
 - "Continue to Europe", чтобы перейти на международный веб-сайт.
 - "Other country", чтобы перейти на сайт определенной страны.

Результат: Вы будете перенаправлены на страницу "Seasonal efficiency" («Энергоэффективности в зависимости от времени года»).

- 3 В разделе "Eco Design – Ener LOT 21" («Экологичное проектирование блоков партии 21») нажмите на «Generate your data» («Предоставить данные»).

Результат: Вы будете перенаправлены на страницу "Seasonal efficiency (LOT 21)" («Энергоэффективность блоков партии 21 в зависимости от времени года»).

- 4 Выберите нужный блок согласно указаниям на странице.

Результат: Просмотреть данные выбранного блока из партии 21 можно в формате PDF или HTML.

ИНФОРМАЦИЯ

На этой же странице можно просмотреть и другие документы (напр., инструкции и руководства).

İçindekiler

1 Dokümanlar hakkında	165
1.1 Bu doküman hakkında.....	165
1.2 Uyarı ve simgelerin anlamları	165
1.3 Genel.....	165
2 Kutu hakkında	166
2.1 Genel bilgi: Kutu hakkında	166
2.2 Fan coil ünitesini ambalajından çıkarmak ve taşımak için.....	166
2.3 Fan coil ünitesinden aksesuarları çıkarmak için.....	166
3 Ünite hakkında	166
3.1 Genel bilgi: Üniteler ve seçenekler hakkında	166
3.2 Tanım	167
3.2.1 Tanıtma etiketi: Fan coil ünitesi	167
4 Hazırlık	167
4.1 Genel bilgi: Hazırlık	167
4.2 Montaj sahasının hazırlanması	167
4.3 Su borularının hazırlanması	168
4.4 Elektrik kablolarının hazırlanması	168
4.4.1 Elektrik kablo tesisatının yapımı hakkında.....	168
5 Montaj	169
5.1 Fan coil ünitesinin montajı.....	169
5.1.1 Yatay montaj.....	169
5.1.2 Dikey montaj.....	170
5.2 Yataydan dikey kurulumla geçme	170
5.3 Su borularının bağlanması	171
5.3.1 Su borularını bağlamak için	171
5.3.2 Su devresini doldurmak için	172
5.4 Elektrik kablolarının bağlanması	172
5.4.1 Elektrik kablolarının bağlanması hakkında	172
5.4.2 Elektrik kabloları bağlanırken dikkat edilmesi gerekenler	172
5.4.3 Fan coil ünitesine elektrik kablolarını bağlamak için ...	173
5.4.4 Elektrik kabloları yönünü değiştirmek için	173
5.5 Drenaj borularının bağlanması	174
5.5.1 Drenaj borularını üniteye takmak için.....	174
5.5.2 Drenaj borularını kontrol etmek için	175
6 Devreye Alma	175
6.1 Bir test çalıştırması gerçekleştirmek için	175
6.2 İşletmeye alma öncesi kontrol listesi	176
7 Bakım ve servis	176
7.1 Hava filtresini temizlemek için	176
8 Teknik veriler	178
8.1 Boyutlar	178
8.2 Kablo şeması.....	180
8.3 Eco Design için bilgi gereksinimleri.....	181

1 Dokümanlar hakkında

1.1 Bu doküman hakkında

Hedef okuyucu

Yetkili montörler



BİLGİ

Bu cihaz mağazalarda, hafif endüstriyel tesislerde ve çiftliklerde uzmanlar veya eğitilmiş kullanıcılar tarafından veya ticari alanlarda ve konutlarda normal kullanıcılar tarafından kullanılmak üzere tasarlanmıştır.

Doküman seti

Bu doküman bir doküman setinin bir parçasıdır. Tam set şu dokümanları içerir:

Ürünle verilen dokümanların güncel sürümlerine bölgesel Daikin web sitesinden veya satıcınızdan ulaşabilirsiniz.

Orijinal doküman İngilizce dilinde yazılmıştır. Diğer dillere orijinal dilinden çevrilmiştir.

• Fan coil ünitesi montaj kılavuzu:

- Montaj talimatları
- Format: Kağıda basılı (fan coil ünitesi kutusundan çıkar)

İTHALATÇI FİRMA

DAIKIN ISITMA VE SOĞUTMA SİSTEMLERİ SAN. TIC. A.Ş.

Küçükbakkalköy Mah. Kayışdağı Cad. No: 1 Kat: 21-22

34750 Ataşehir İSTANBUL / TÜRKİYE

1.2 Uyarı ve simgelerin anlamları



TEHLİKE

Ölüm veya ciddi yaralanmalarla sonuçlanacak durumları gösterir.



TEHLİKE: ELEKTRİK ÇARPMASI RİSKİ

Elektrik çarpmasına yol açabilecek durumları gösterir.



TEHLİKE: YANMA RİSKİ

Aşırı yüksek veya aşırı düşük sıcaklıklar nedeniyle yanıklara neden olabilecek durumları gösterir.



TEHLİKE: PATLAMA RİSKİ

Patlamaya yol açabilecek durumları gösterir.



UYARI

Ölüm veya ciddi yaralanmalarla sonuçlanabilecek durumları gösterir.



UYARI: YANICI MADDE



DİKKAT

Küçük veya orta ciddiyette yaralanmalarla sonuçlanabilecek durumları gösterir.



BİLDİRİM

Cihaz hasarları veya maddi hasarla sonuçlanabilecek durumları gösterir.



BİLGİ

Yararlı ipuçlarını veya ilave bilgileri gösterir.

Sembol	Açıklama
	Montajdan önce, montaj ve kullanım kılavuzu ile kablo bağlantısı talimat yaprağını okuyun.
	Bakım ve servis görevlerini yerine getirmeden önce, servis kılavuzunu okuyun.
	Daha fazla bilgi için montajcı ve kullanıcı referans kılavuzuna bakın.

1.3 Genel

Ünitenin nasıl monte edilmesi ve çalıştırılması gerektiği konusunda emin DEĞİLSENİZ, satıcınıza danışın.

2 Kutu hakkında



BİLDİRİM

Cihazların veya aksesuarların hatalı montajı veya bağlanması elektrik çarpmasına, kısa devreye, sızıntılara, yangına veya diğer cihaz hasarlarına neden olabilir. Yalnızca Daikin tarafından üretilen veya onaylanan aksesuarları, opsiyonel cihazları ve yedek parçaları kullanın.



UYARI

Montaj, test ve uygulama malzemelerinin (Daikin kılavuzlarında açıklanan talimatlardan öncelikli olarak) ilgili mevzuata uygun olduğundan emin olun.



DİKKAT

Sistemle ilgili montaj, bakım veya servis çalışmaları gerçekleştirirken uygun kişisel koruyucu malzeme ve ekipmanları (koruyucu eldivenler, koruyucu gözlükler,...) kullanın.



UYARI

Özellikle çocukların oynamasını engellemek için, ambalajdan çıkan naylon torbaları parçalayarak çöpe atın. Olası risk: boğulma.



UYARI

Ünitenin küçük hayvanlar tarafından bir sığınak olarak kullanılmasını önlemek için gerekli önlemleri alın. Küçük hayvanların elektrikli parçalara temas etmesi arızalara, dumana veya yangına yol açabilir.



DİKKAT

Ünitenin hava girişine veya alüminyum kanatlarına KESİNLİKLE dokunmayın.



BİLDİRİM

- Ünitenin üzerine KESİNLİKLE herhangi bir cisim veya cihaz koymayın.
- Ünitenin üzerine KESİNLİKLE çıkmayın, oturmayın ve basmayın.



TEHLİKE: ELEKTRİK ÇARPMASI RİSKİ

- Sistemin düzgün topraklandığından emin olun.
- Bakım yapmadan önce güç kaynağını kapatın.
- Güç kaynağını açmadan önce anahtar kutusu kapağını takın.



DİKKAT

- Montaj yerinin ünitenin ağırlığını taşıyabileceğini kontrol edin. Kötü montaj tehlikelidir. Aynı zamanda titreşime veya anormal işletim gürültüsüne neden olabilir.
- Yeterli servis alanı sağlayın.
- Titreşime neden olabileceği için üniteyi tavana veya duvara temas edecek şekilde KURMAYIN.



TEHLİKE: ELEKTRİK ÇARPMASI RİSKİ

Fan coil ünitelerini ıslak elle çalıştırmayın. Elektrik çarpması meydana gelebilir.

2 Kutu hakkında

2.1 Genel bilgi: Kutu hakkında

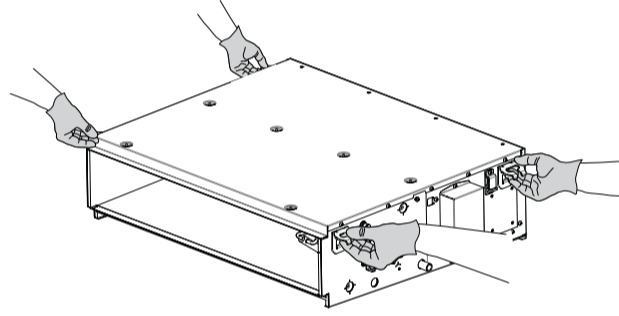
Aşağıdakileri akılda tutun:

- Teslim alındığında ünite hasar olup olmadığı kontrol EDİLMELİDİR. Tespit edilen hasarlar derhal hasar servis yetkilisine rapor EDİLMELİDİR.
- Taşıma sırasındaki hasara mani olmak için üniteyi mümkün olduğunca nihai montaj konumuna getirene kadar ambalajından çıkarmayın.
- Üniteyi içeriye getirirken izlemek istediğiniz yolu önceden hazırlayın.

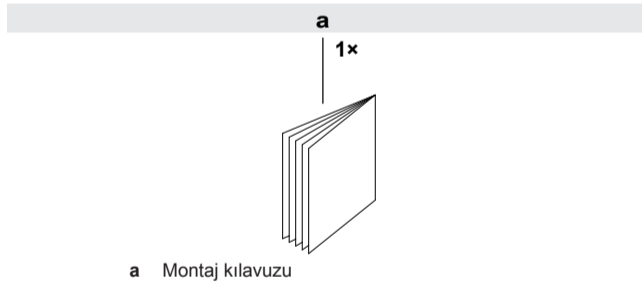
2.2 Fan coil ünitesini ambalajından çıkarmak ve taşımak için

Üniteyi kaldırırken yumuşak malzemeden sapan veya bir halatla birlikte koruyucu levhalar kullanın. Bu işlem ünite hasar veya çizikler oluşmaması içindir.

- 1 Üniteyi diğer parçalar üzerine, özellikle de drenaj boruları ve ısı yalıtımı üzerine baskı uygulamadan askı demirinden tutarak kaldırın.



2.3 Fan coil ünitesinden aksesuarları çıkarmak için



a Montaj kılavuzu

3 Ünite hakkında

3.1 Genel bilgi: Üniteler ve seçenekler hakkında

Bu bölüm şunlar hakkında bilgi içerir:

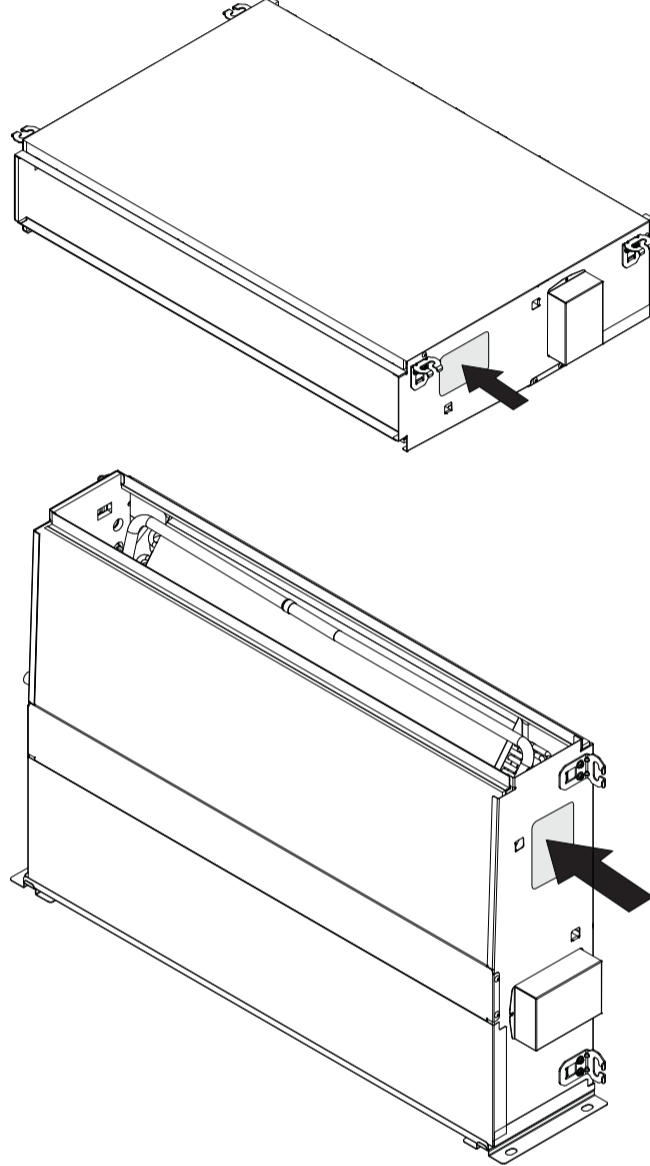
- Fan coil ünitesinin tanımlanması.

4 Hazırlık

3.2 Tanım

3.2.1 Tanıtma etiketi: Fan coil ünitesi

Konum



Model tanımlaması

Örnek: FW E 03 D A F N 5 V3 — L

Kod	Açıklama
FW	Su fan coil ünitesi
E	Flex Düşük statik basınç (LSP) kasasız
03	Kapasite sınırı: 03=1,5 kW
D	Önemli model değişikliği (A'dan Z'ye)
A	Küçük değişiklik
F	4 boru
N	Vanasız
5	Hendek fabrikası
V3	Fan motoru / tek faz / 50 Hz / 220~240 V
—	Opsiyon yok

Kod	Açıklama
L	S: Sol taraf su – Sol taraf elektrik bağlantısı L: Sol taraf su – Sağ taraf elektrik bağlantısı T: Sağ taraf su – Sağ taraf elektrik bağlantısı R: Sağ taraf su – Sol taraf elektrik bağlantısı

4 Hazırlık

4.1 Genel bilgi: Hazırlık

Bu bölümde montaj yerine gitmeden önce yapmanız ve bilmeniz gerekenler açıklanmıştır.

Şunlar hakkında bilgi içerir:

- Montaj sahasının hazırlanması
- Su borularının hazırlanması
- Elektrik tesisatının hazırlanması

4.2 Montaj sahasının hazırlanması



UYARI

Fan ünitesinin altına ıslanabilecek nesnelere YERLEŞTİRMEYİN. Aksi halde ana ünite veya su borularındaki yoğuşma, hava filtresindeki pislik veya drenaj tıkanması damlamaya neden olarak söz konusu objenin kirlenmesine veya bozulmasına yol açabilir.



BİLDİRİM

Ünitenin harici statik basıncının aşılmadığından emin olmak için lütfen satıcınıza danışın.

Üniteyi aşağıda belirtilen odalara monte etmeyin veya bu tür odalarda kullanmayın.

- Mutfak gibi, mineral yağ bulunan yerler veya havada yağ buharı yada spreyi bulunan yerler (plastik parçalar bozulabilir).
- Sülfür gazı gibi aşındırıcı gazların bulunduğu yerler. Bakır borular ve sert lehimli noktalar korozyona uğrayabilir.
- Okyanus yakınında olduğu gibi havanın yüksek seviyede tuz içerdiği yerler ve voltaj dalgalanmalarının yüksek olduğu yerler. (örn. fabrikalarda). Ayrıca araçlar veya gemiler.
- Elektromanyetik dalgalar yayan makinelerin bulunduğu ortamlar. Elektromanyetik dalgalar, kontrol sistemine zarar verebilir ve cihazın arızalanmasına yol açabilir.
- Tutuşabilir gaz (örneğin; tiner veya gazolin) kaçaqları, karbon fiberi, tutuşabilir tozlar nedeniyle yangın riski bulunan ortamlar.

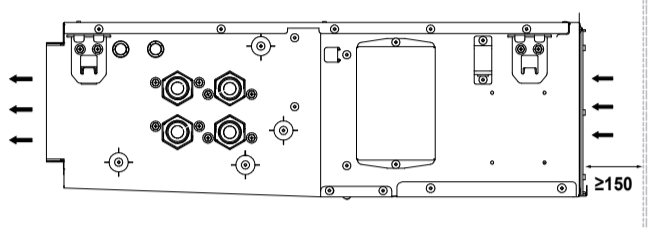
Aşağıdaki koşulların yerine getirildiği ve müşteri onayınızı karşılayan bir montaj sahası seçin.

Cihaz etrafındaki boşluk, bakım ve servis çalışmaları için yeterli olmalıdır. Cihaz etrafındaki boşluk, yeterli hava sirkülasyonuna ve hava dağılımına izin vermelidir, montaj için gerekli alan bahsine bakın.

4 Hazırlık

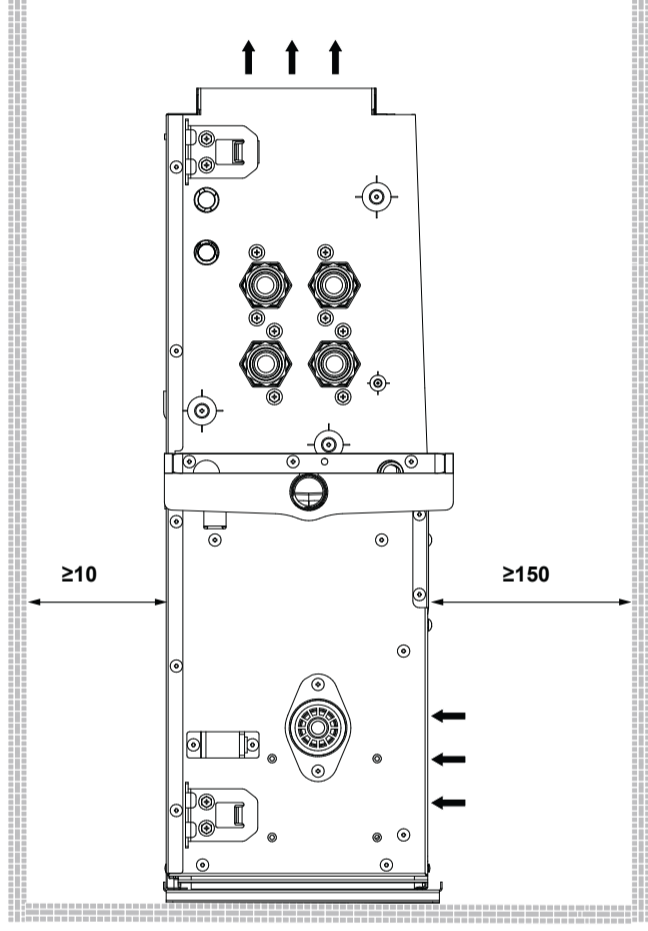
Yatay montaj

Ünite montajı, ünitenin tavanda asılı olduğu yerdeki zeminden $\geq 2,5$ m mesafede yapılmalıdır.



Dikey montaj

Dikey filtre bakım alanı belirtildiği şekilde düşünülmelidir.



DİKKAT

Dikey montaj durumunda askı cıvataları kullanmayın. Dikey montaj, dikey montaj kitiyle (ESFH01DS) yapılmalıdır.

4.3 Su borularının hazırlanması

Ünitede su devresine bağlantı için bir su girişi ile bir su çıkışı bulunur. Su devresi mutlaka montaj ekibi tarafından sağlanmalı ve mutlaka ilgili mevzuata uygun olmalıdır.



BİLDİRİM

Ünite yalnız kapalı bir su sisteminde kullanılmalıdır. Açık bir su devresinde uygulama yapılması su borularında aşırı korozyona yol açabilir.

Su borularıyla ilgili çalışmaya geçmeden önce, şu hususları kontrol edin:

- Maksimum su basıncı 1 MPa'dır.

- Minimum su sıcaklığı 5°C'dir.
- Maksimum su sıcaklığı 90°C'dir.
- Saha borularına su basıncına ve sıcaklığına dayanabilecek bileşenlerin monte edildiğinden emin olun.
- Su basıncının hiçbir zaman izin verilen en yüksek çalışma basıncını geçmediğinden emin olmak için su devresinde yeterli korumaları sağlayın.
- Suyun elektrikli parçalarla temas etmesini önlemek için basınç tahliye vanasına (takılıysa) uygun bir tahliye sistemi sağlayın.
- Normal servis işlemlerinin, sistem boşaltılmadan gerçekleştirilebilmesi için cihaza kesme vanaları monte edin.
- Cihazın bakımı veya servisi sırasında devrenin tamamen boşaltılabilmesi için sistemde düşük kotlardaki her noktaya tahliye muslukları yerleştirin.
- Sistemdeki yüksek kotlardaki her noktaya ise hava alma vanaları yerleştirin. Vanalar, servis çalışmaları için kolayca erişilebilecek noktalara monte edilmelidir.

4.4 Elektrik kablolarının hazırlanması

4.4.1 Elektrik kablo tesisatının yapımı hakkında



UYARI

- YALNIZCA bakır teller kullanın.
- Saha kablo tesisatının ilgili mevzuata uygun olduğundan emin olun.
- Tüm saha kabloları MUTLAKA ürünle verilen kablo şemalarına uygun olarak bağlanmalıdır.
- Kablo demetlerini KESİNLİKLE sıkmayın ve kabloların, borulara ve keskin kenarlara temas ETMEDİĞİNDEN emin olun. Terminal bağlantılarına dışarıdan baskı uygulanmadığından emin olun.
- Topraklama kablosunun takıldığından emin olun. Üniteyi KESİNLİKLE bir şebeke borusuna, darbe emicisine veya telefon topraklamasına topraklamayın. Topraklamanın yetersiz yapılması elektrik çarpmasına yol açabilir.
- Özel olarak ayrılmış bir güç devresinin kullanıldığından emin olun. Başka bir cihazla paylaşılan bir güç beslemesini KESİNLİKLE kullanmayın.
- Gerekli sigortaların ve devre kesicilerin takıldığından emin olun.
- Bir toprak kaçağı kesicisinin takıldığından emin olun. Aksi takdirde, elektrik çarpmasına veya yangına neden olabilir.
- Topraklama kaçağı koruyucu monte edilecekse, topraklama kaçağı koruyucusunun gereksiz yere açılmasını önlemek için bu koruyucunun inverter ile uyumlu (yüksek frekanslı elektrik karışımına dayanıklı) olduğundan emin olun.



BİLDİRİM

Bu kılavuzda tanımlanan ekipman, radyo frekans enerjisinden üretilen elektronik gürültüye neden olabilir. Ekipman, bu tür girişime karşı yeterli koruma sağlamak üzere tasarlanmış olan spesifikasyonlara uymaktadır. Bununla birlikte, belirli bir montajda girişim oluşmayacağı garanti edilemez.

Bu nedenle ekipmanın ve elektrik kablolarının müzik setlerinden, kişisel bilgisayarlardan, vs. uygun mesafeyi koruyacak şekilde uzakta monte edilmesi önerilir.

5 Montaj



UYARI

Sahadaki tüm kablo ve komponent tesisat işlemleri lisanslı bir elektrikçi tarafından YAPILMALI ve ilgili mevzuata uygun OLMALIDIR.



TEHLİKE: ELEKTRİK ÇARPMASI RİSKİ



UYARI

Döşenen kablo tesisatında ilgili mevzuata uygun olarak tüm kutuplarda kontak ayırmasına sahip bir ana şalter veya ayırma için başka bir yöntem dahil EDİLMELİDİR.

Elektrik özellikleri

	FWE-D
Faz	1N~
Frekans	50 Hz
Gerilim aralığı	220~240 V
Gerilim toleransı	±%10
Maksimum çalışma akımı	0,46 A
Aşırı akım sigortası	16 A

Saha kablolarının özellikleri

	Kablo	Boyutu (mm ²)	Uzunluk
Güç besleme kablosu	H05VV-U3G ^{(a)(b)}	İlgili mevzuat uyarınca ≤4,0	—
Uzaktan kumanda ve cihaz iletim kablosu	Blendajlı kablo 2 iletkenli ^(c)	0,75~1,25	≤500 m ^(d)

^(a) Sadece korumalı borular söz konusu olduğunda. Koruma yoksa H07RN-F kullanın.

^(b) Dışarıdan gelebilecek darbelerle karşı korumak için elektrik kablolarını bir kablo taşıma kanalından geçirin.

^(c) Uzaktan kumanda için çift yalıtımlı kablo (blendaj kalınlığı ≥1 mm) kullanın veya kullanıcının kabloyla temas etmesini önlemek için kabloyu duvardan veya kablo taşıma kanalından geçirin.

^(d) Uzunluk, grup kontrol sistemindeki toplam uzatılmış uzunluk olacaktır.

5 Montaj

5.1 Fan coil ünitesinin montajı



BİLGİ

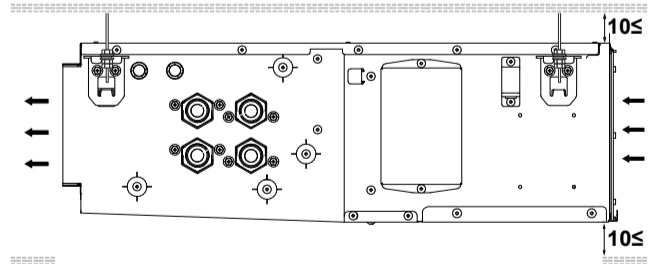
Tavan ile ünite arasındaki boşluk ≥10 mm ve emme açıklığı ≥150 mm olmalıdır.



BİLGİ

Yukarıda belirtilen parçaların tamamı sahadan temin edilir. Standart montaj dışındaki montaj çalışmaları için tavsiye almak üzere yerel satıcınıza başvurun.

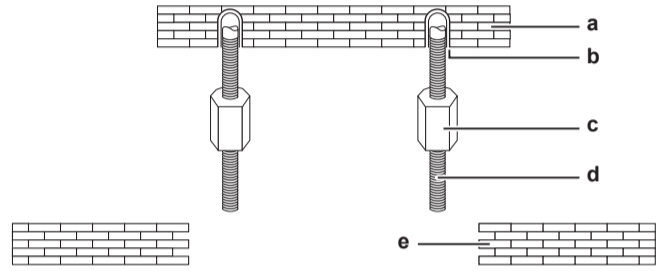
5.1.1 Yatay montaj



1 Montaj için gerekli olan tavan açıklığını uygun bir yere açın.

Tavan düzlüğünün korunması ve olası titreşimlerin önlenmesi için asma tavan iskeletinin güçlendirilmesi gerekebilir. Ayrıntılı bilgi için binanın müteahhidine danışın.

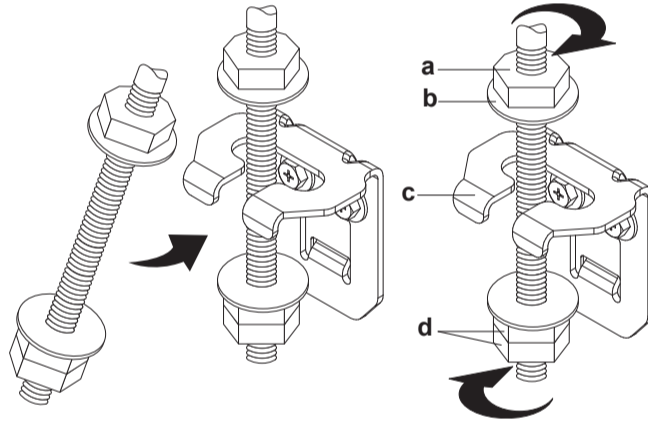
2 Askı civatalarını takın. W3/8 veya M10 civatalar kullanın. Mevcut tavanlar için ankraj civataları kullanın; yeni tavanlarda ise cihazın ağırlığını taşıması için gömülü saplamalar, gömülü ankraj civataları veya sahada tedarik edilen diğer bağlantı elemanlarını kullanın. Güçlendirme gerektiren noktaları kontrol etmek için şablon kağıdına bakın. Devam etmeden önce tavadan olan aralığı ayarlayın.



- a Tavan tabiyesi
- b Dübel
- c Uzun somun veya gerdirmе donatısı
- d Askı civatası
- e Asma tavan

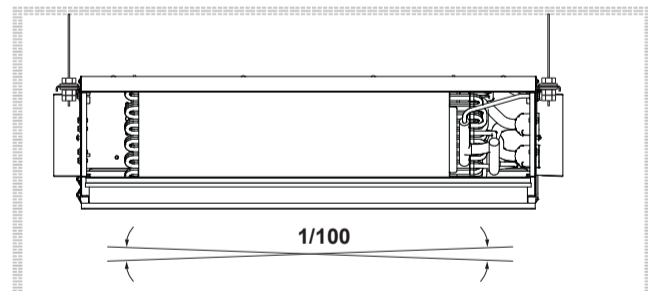
3 Üniteyi geçici olarak monte edin.

Askı mesnedini askı civatasına geçirin. Üniteyi emniyetli bir şekilde sabitleyin.



- a Somun (sahadan temin edilir)
- b Pul (sahadan temin edilir)
- c Askı mesnedi
- d Çift somun (sahadan temin edilir)

4 Cihazı montaj için doğru konuma getirin.

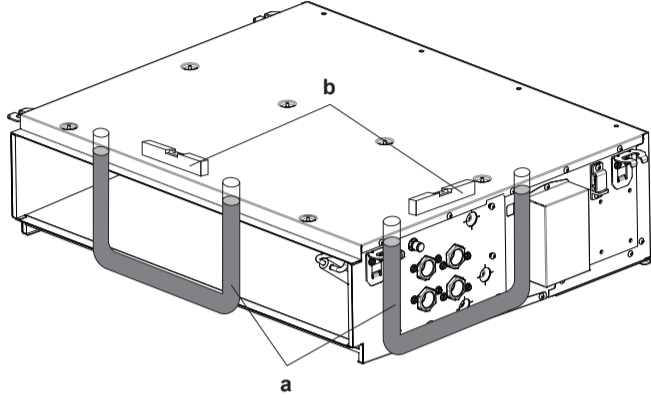


5 Cihazın yatay olarak düz olup olmadığını kontrol edin.

Cihazı eğik monte etmeyin. Ünite yoğuşma akışına karşı yönde yatırılırsa (borusu tarafı yükseltirse), suyun damlamasına neden olur.

Bir su terazisi veya suyla dolu bir plastik tüp yardımıyla ünitenin düz olup olmadığını 4 köşesinden kontrol edin.

5 Montaj



- a Plastik tüp
b Düzec

5.1.2 Dikey montaj



BİLDİRİM

Boruları bağlarken KESİNLİKLE aşırı kuvvet uygulamayın. Boruların hasar görmesi de ünitenin arızalanmasına yol açabilir. Tüm vidalar için sıkma torkunun 3 N·m olduğundan emin olun.

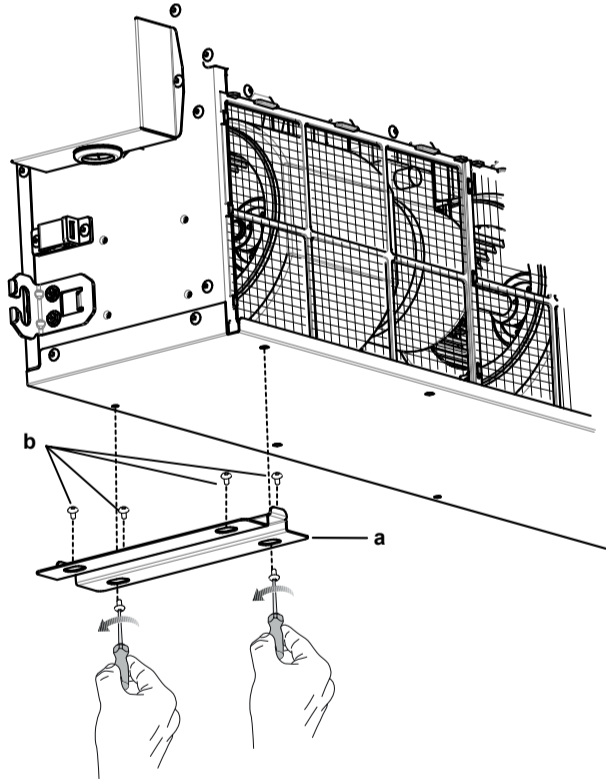


BİLDİRİM

Ünitenin dikey olarak monte etmek için opsiyon kiti (ESFH01DS) yerel bir satıcı tarafından sağlanmalıdır.

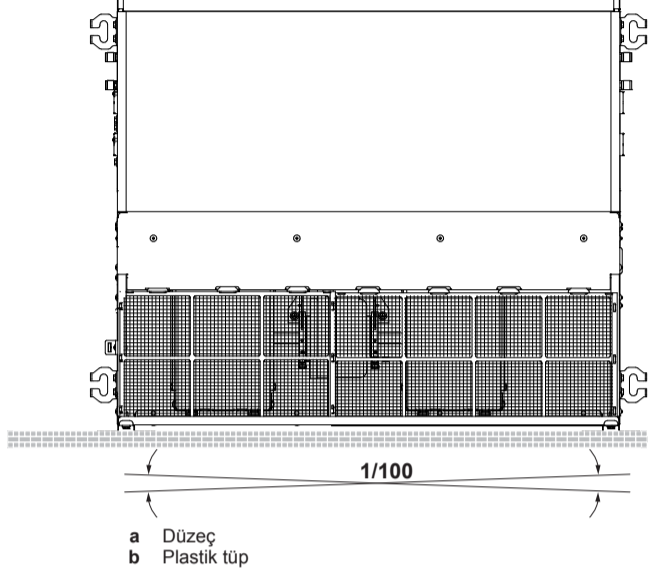
1 Ünitenin geçici olarak monte edilmesini.

Ünitenin montaj ayakları ile zemine kurun. Ünitenin zemine sağlam bir şekilde yerleştirdiğinizden emin olun. Ünitenin devrilme riski varsa, montaj ayağı deliklerindeki vidaları kullanarak zemine sabitleyin.



- a Montaj ayağı
b Sabitleme vidası

2 Ünitenin doğru montaj konumuna ayarlayın.

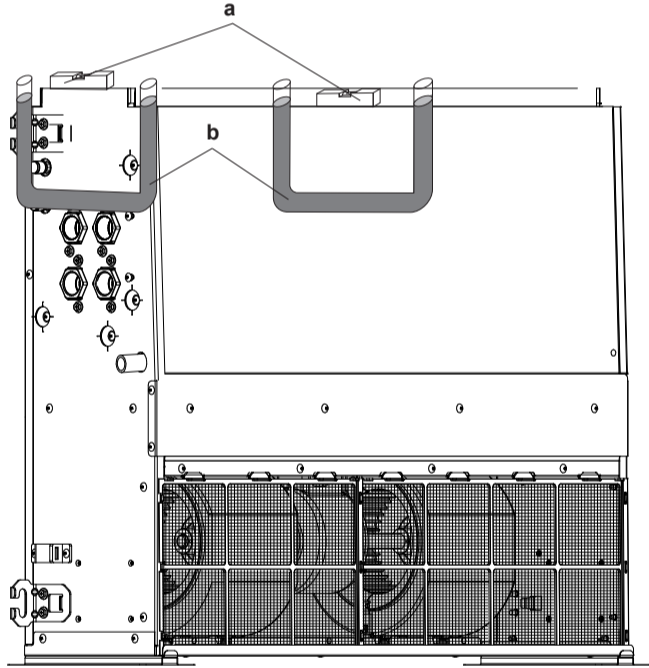


- a Düzec
b Plastik tüp

3 Cihazın yatay olarak düz olup olmadığını kontrol edin.

Cihazı eğik monte etmeyin. Ünite yağışın akışına karşı yönde yatırılırsa (borusu tarafı yükseltirse), suyun damlamasına neden olur.

Bir su terazisi veya suyla dolu bir plastik tüp yardımıyla ünitenin düz olup olmadığını dört köşesinden kontrol edin.



5.2 Yataydan dikey kurulumla geçiş



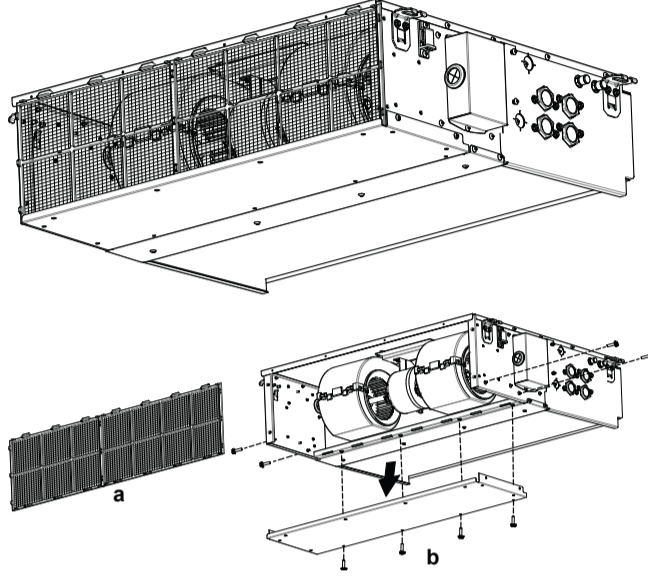
DİKKAT

Ünitenin tüm yönlerde teraziye alındığından emin olun.

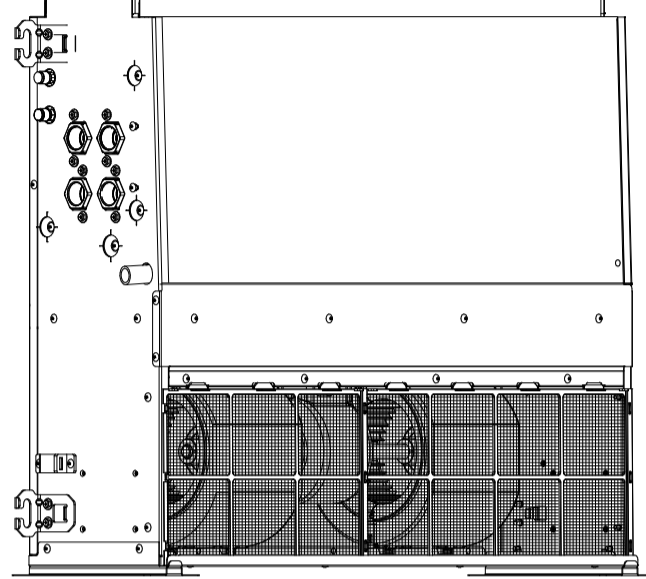
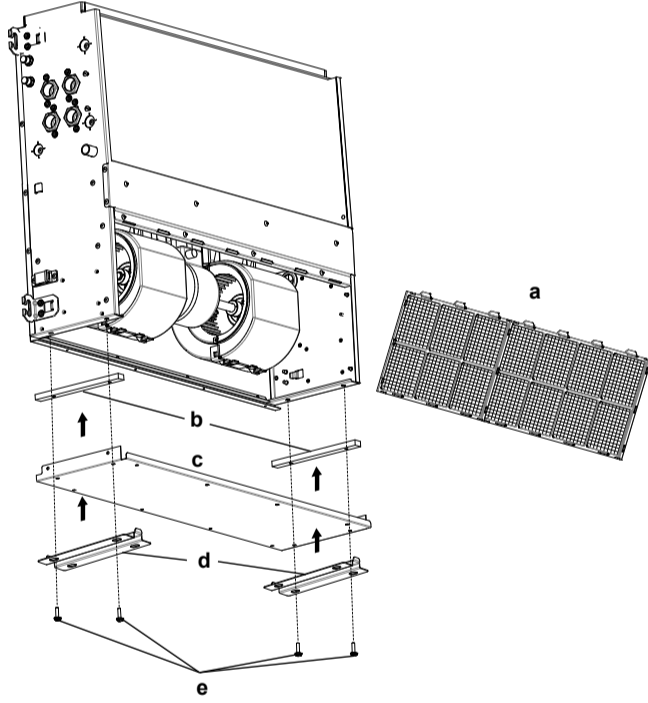
Yataydan dikey kurulumla geçilmesi durumunda, lütfen aşağıdaki talimatları izleyin.

- 1 Hava filtresini çıkartın.
- 2 Servis kapağındaki vidaları sökün ve kapağı üniteden çıkarın.

5 Montaj



- 3 Yan plaka ile alt flanşlar arasındaki boş alana kauçuk desteği (opsiyon kitine dahil) yerleştirin.
- 4 Çıkarılan servis kapağını alt tarafa tekrar takın.
- 5 Dikey montaj opsiyon kitinden 2 montaj ayağını servis kapağına opsiyon kitindeki 4 vida ile tutturun.
- 6 Servis kapağı filtre kılavuzundaki hava filtresini tekrar takın.
- 7 Ünite dikey montaja hazırdır.



- a Hava filtresi
- b Servis kapağı
- c Montaj ayakları
- d Vidalar
- e Hava filtresi

5.3 Su borularının bağlanması

! BİLDİRİM

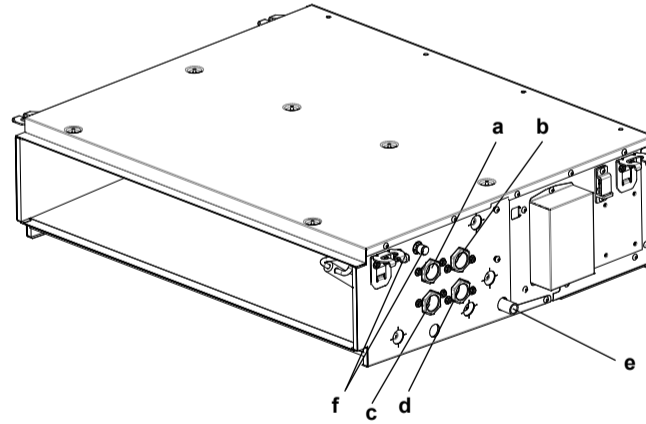
Boruları bağlarken kesinlikle aşırı kuvvet uygulamayın. Aksi takdirde, cihaz boruları hasar görebilir. Borulardaki deformasyon ünitenin arıza yapmasına yol açabilir.

! DİKKAT

Ünitedeki su sirkülasyonunu kontrol etmek için her zaman vanalar kullanılmalıdır. Vana NC (normalde kapalı) tipte olmalı, böylece ünite çalışmadığı zaman vanalar kapanmalıdır. Bu şekilde yoğuşma suyunun üretilmesi önlenecektir.

5.3.1 Su borularını bağlamak için

- 1 Fan coil ünitesinin su giriş ve çıkışlarını su borularına bağlayın.

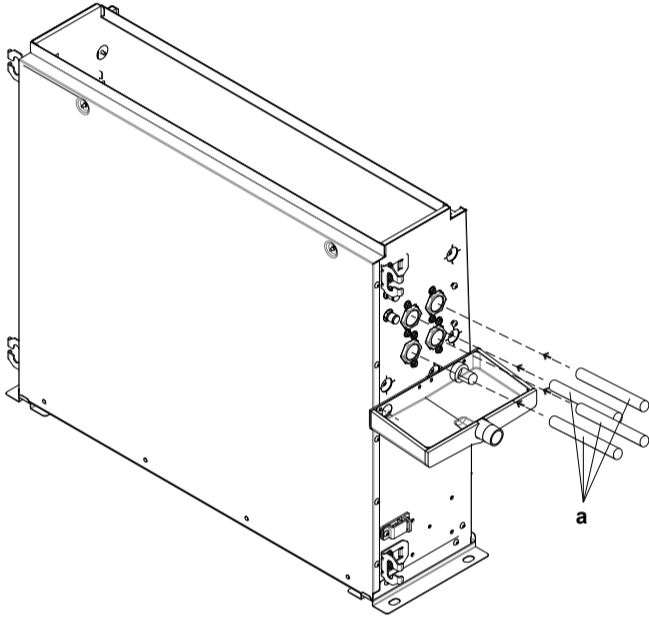
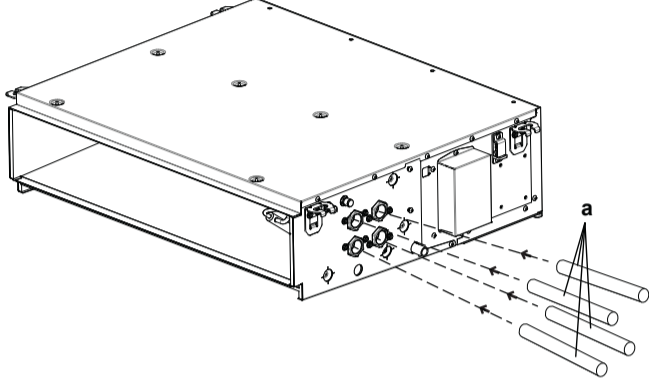


- a Drenaj borusu bağlantısı (3/4" erkek)
- b Soğutulmuş su girişi (3/4" dişi BSP)
- c Soğutulmuş su çıkışı (3/4" dişi BSP)
- d Isıtma suyu girişi (3/4" dişi BSP)
- e Isıtma suyu çıkışı (3/4" dişi BSP)
- f Hava alma vanası

Hatırlatma: Üniteye doğrudan bağlantı yapılması durumunda 3/4" erkek BSP boru kullanın.

5 Montaj

2 Yoğuşmanın ve kapasite düşüşünün önlenmesi için, tüm borular da dahil olmak üzere tüm su devresi mutlaka yalıtılmalıdır.



a Bağlantı borusu

5.3.2 Su devresini doldurmak için



BİLDİRİM

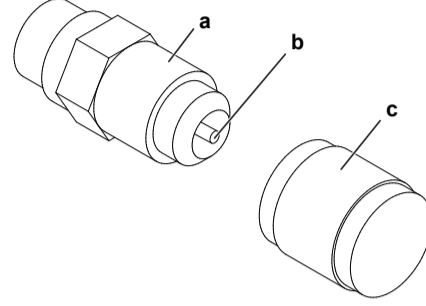
Su kalitesinin 98/83 EC sayılı AB direktifine uygun olduğundan emin olun.



BİLDİRİM

- Su devresindeki hava arızaya neden olabilir. Doldurma sırasında, devredeki tüm havanın boşaltılması mümkün olmayabilir. Kalan hava, sistemin ilk çalışma saatleri esnasında otomatik hava tahliyesi vanalarından boşaltılacaktır. Daha sonra su ilave edilmesi gerekebilir.
- Sistemdeki havayı boşaltmak için, "6 Devreye alma" sayfa 175 bölümünde açıklanan özel işlevi kullanın.

- Başığı açın.
- Ünite su devrelerindeki havayı boşaltmak için basınç boşaltma vanasına basın.
- Başığı kapatın.
- Bu işlemin ardından, su eklenmesi gerekebilir (ancak, su kesinlikle hava alma vanasından eklenmemelidir).



a Hava tahliyesi
b Basınç boşaltma valfi
c Başlık

5.4 Elektrik kablolarının bağlanması

5.4.1 Elektrik kablolarının bağlanması hakkında

Tipik iş akışı

Elektrik kablolarının bağlanması tipik olarak aşağıdaki aşamalardan oluşur:

- Güç besleme sisteminin ünitenin elektrik özelliklerine uygun olduğundan emin olunması.
- Elektrik kablolarının fan coil ünitesine bağlanması.
- Elektrik tesisat yönünü değiştirme (uygunsa).

5.4.2 Elektrik kabloları bağlanırken dikkat edilmesi gerekenler

Aynı boyuttaki kabloları bağlarken, aşağıdaki şekle göre takın.



Elektrik kablolarının bağlantısını yaparken aşağıda verilen notları dikkate alın.

- Aynı güç besleme terminaline farklı ebatta kablolar bağlamayın. Bağlantıdaki gevşeklik aşırı ısınmaya neden olabilir.
- Aynı topraklama terminaline farklı büyüklükteki kablolar bağlamayın. Bağlantıdaki gevşeklikler korumayı zayıflatabilir.
- Belirtilen elektrik kablolarını kullanın (bkz. "Saha kablolarının özellikleri" sayfa 169). Kabloyu sıkı bir şekilde terminale bağlayın. Uygun sıkma torkunu (N·m) kullanın.
- Güç besleme terminal bloğu sıkma torku: 1,44~1,88 N·m.
- Kabloların diğer ekipmanları engellememesi veya terminal kapağını açmaya zorlaması için kabloları düzgün tutun. Kapağın sağlam şekilde kapandığından emin olun. Yanlış veya eksik bağlantılar aşırı ısınmaya ve daha da kötüsü elektrik çarpmasına veya yangına neden olabilir.

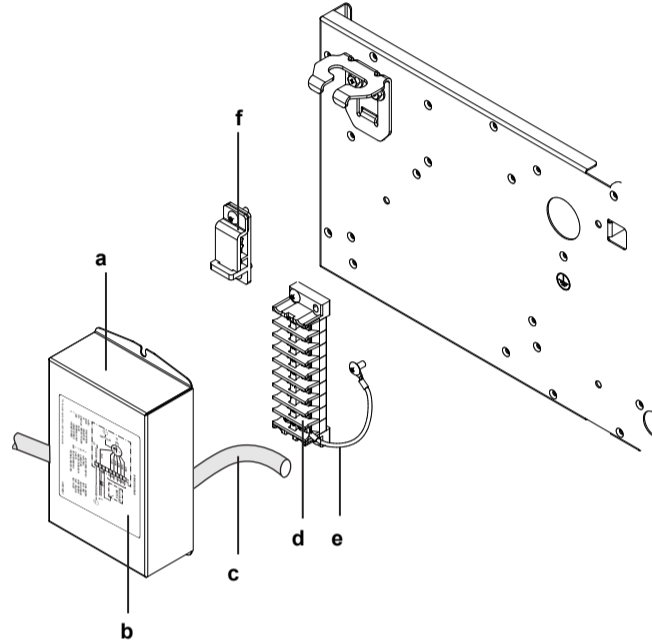
5.4.3 Fan coil ünitesine elektrik kablolarını bağlamak için

Terminal kapağı üzerindeki kablo tesisatı etiketine bakın.



BİLDİRİM

- Kablo şemasını (üniteyle birlikte verilir, servis kapağı üzerindedir) takip edin.
- Elektrik kablolarının servis kapağının yerine düzgün takılmasına mani OLMADIĞINDAN emin olun.



- a Terminal kapağı
b Yapışkanlı etiket
c Güç besleme kablosu
d Terminal şeridi
e Toprak kablosu
f Kablo tutucu

- 1 Terminal kapağını ve kablo tutucuyu üniteden çıkarın.
- 2 Güç besleme kablosunu terminal şeridine bağlayın.
- 3 Güç besleme kablosunu kablo tutucuyla sabitleyin.
- 4 Terminal kapağını üniteye tekrar takın.

5.4.4 Elektrik kablolama yönünü değiştirmek için



BİLDİRİM

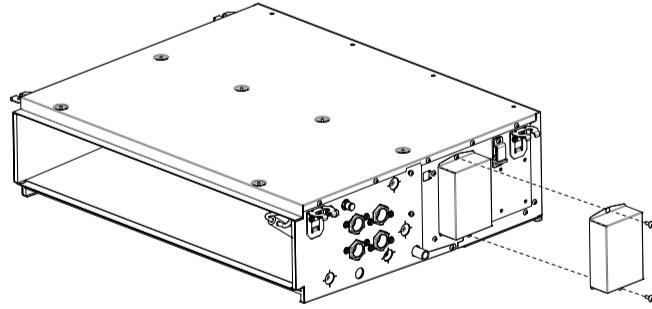
Elektrik kablolama yönü sahada ters tarafa değiştirilebilir.



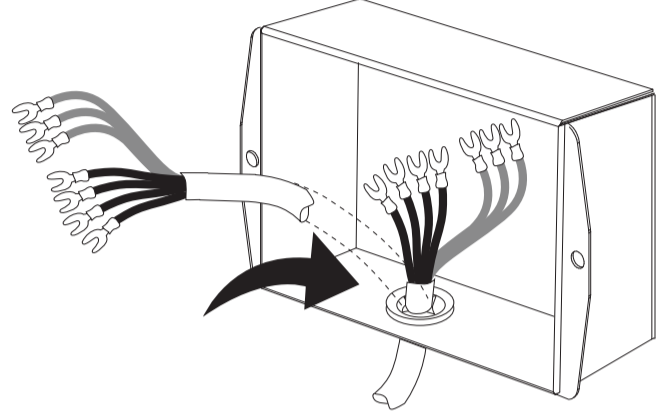
BİLDİRİM

Terminal kapağını takarken, hiçbir kablosunun sıkışmadığından emin olun.

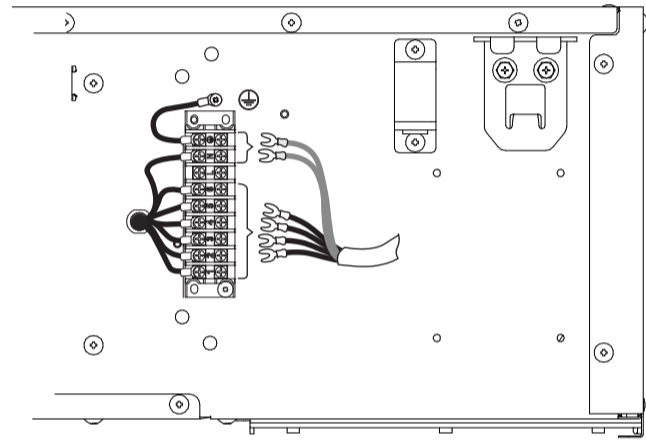
- 1 Terminal kapağını, terminali, kablo tutucuyu, toprak kablosunu ve fan motor kablolarını çıkarın.



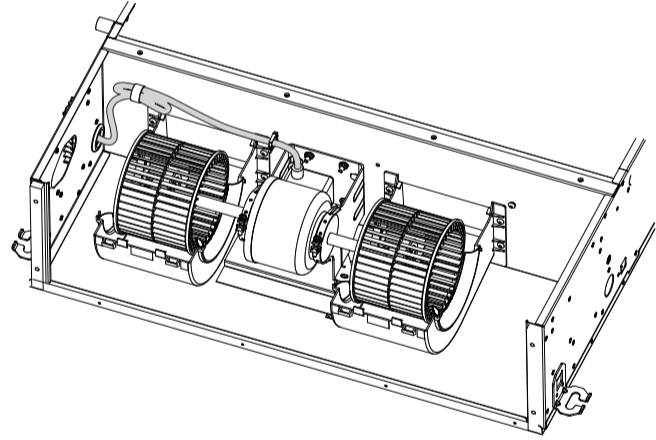
- 2 Fan motoru kablolarını kablo tutucularından ayırın.



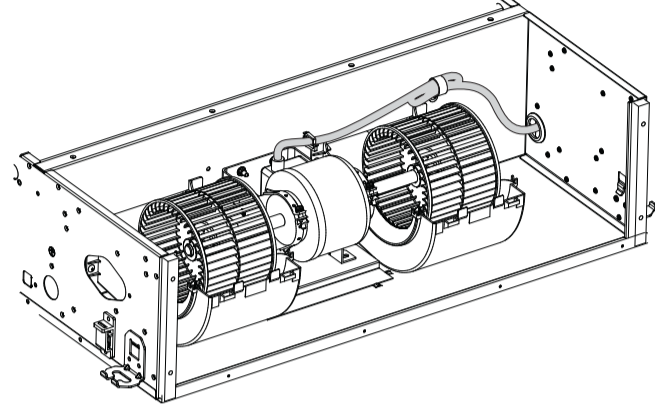
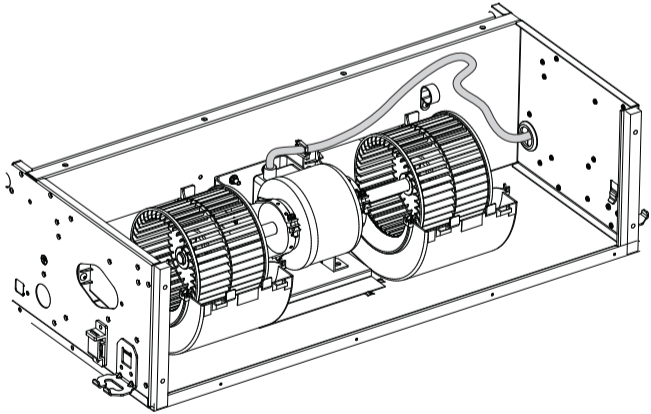
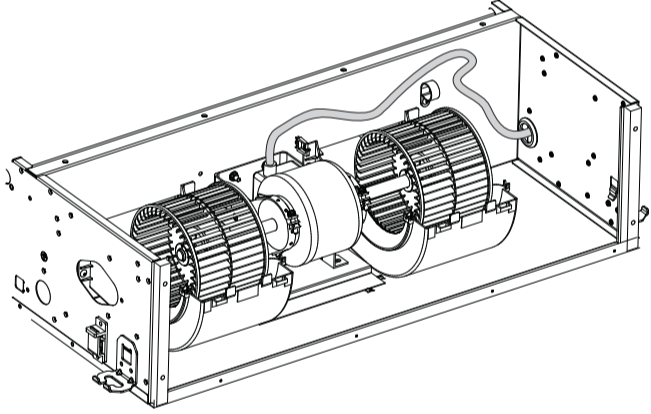
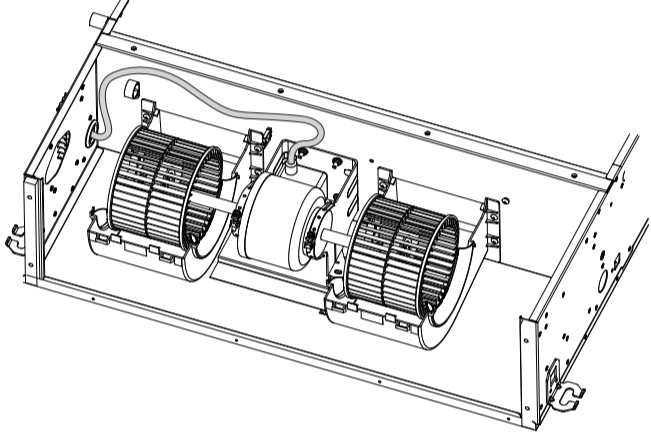
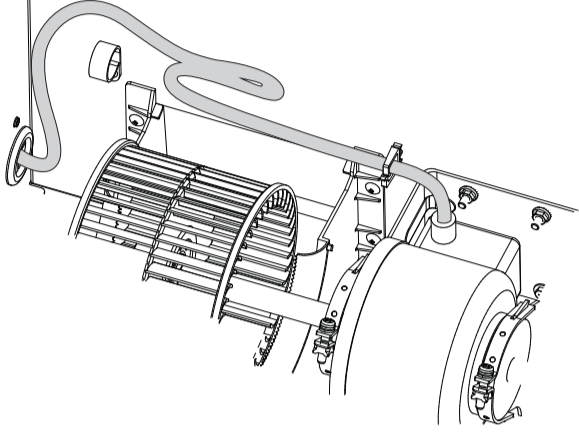
- 3 Fan motoru kablolarının yönlerini değiştirin.



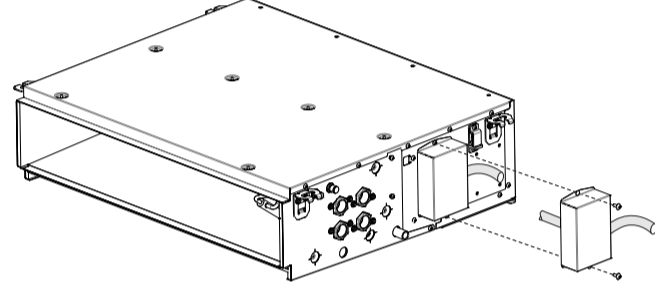
- 4 Kabloları bölme plakasına sabitleyin. Kullanılmayan kabloların, yeni konumda bir kablo kelepçesiyle sıkıca sabitlendiğinden emin olun.



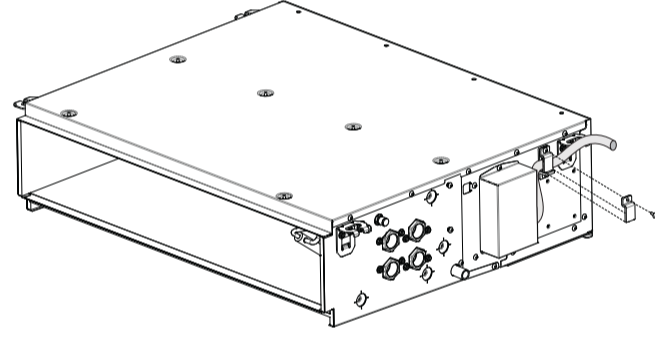
5 Montaj



5 Çıkarılan parçaları üniteye sabitleyin.



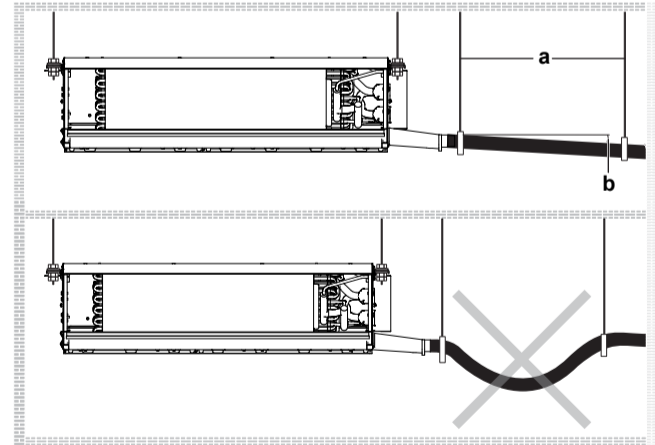
6 Kabloyu sabitlemek için çıkarılan kablo tutucuyu takın.



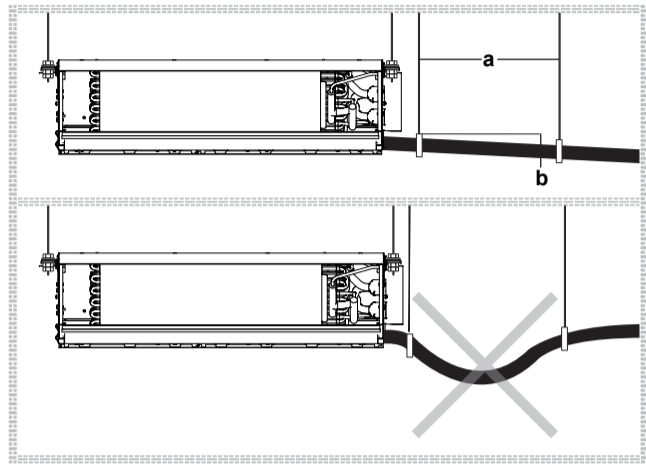
5.5 Drenaj borularının bağlanması

5.5.1 Drenaj borularını üniteye takmak için

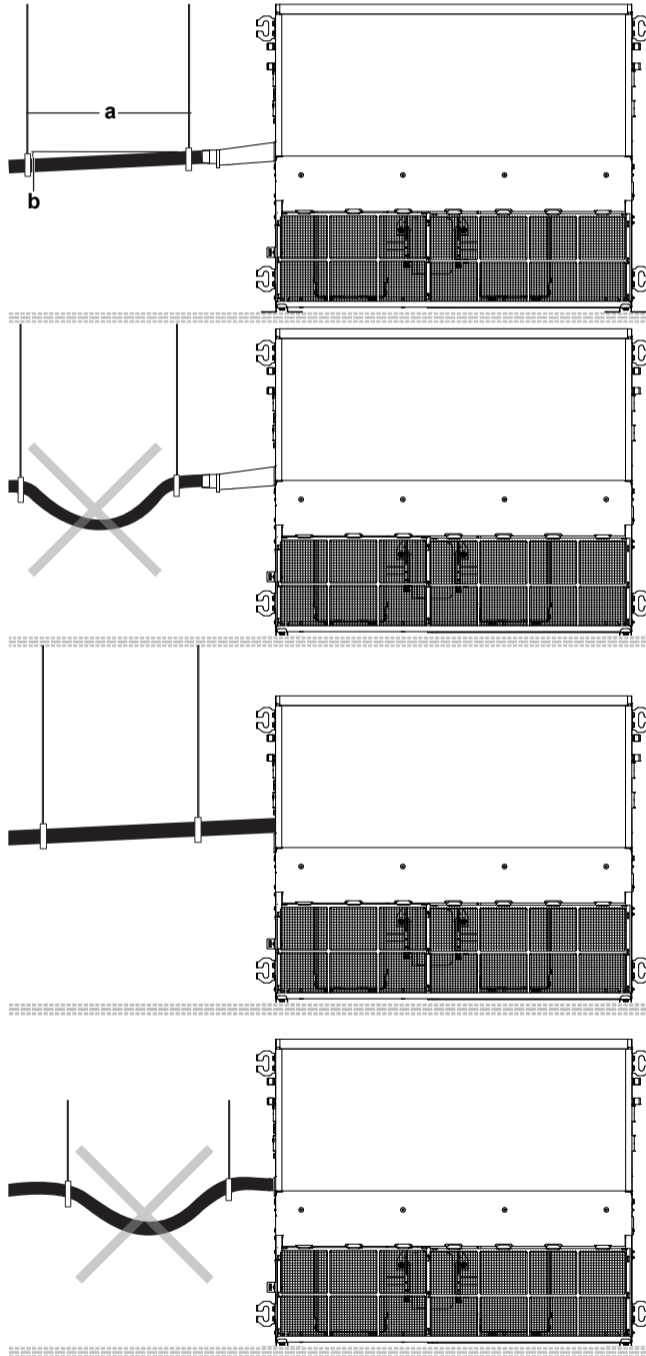
Yatay montaj



6 Devreye Alma



Dikey montaj



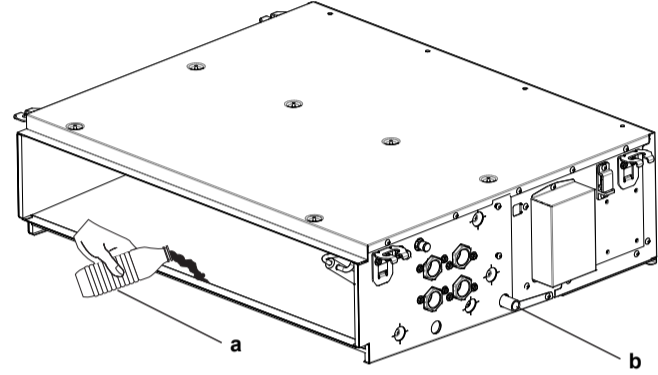
- a Askı demiri
b $\geq 1/100$ eğim

Boruları mümkün olduğunca kısa tutun ve borulara eğimi en az 1/100 olacak şekilde aşağı doğru eğim verin, böylece boru içerisinde hava ceplerinin oluşması engellenmiş olur.

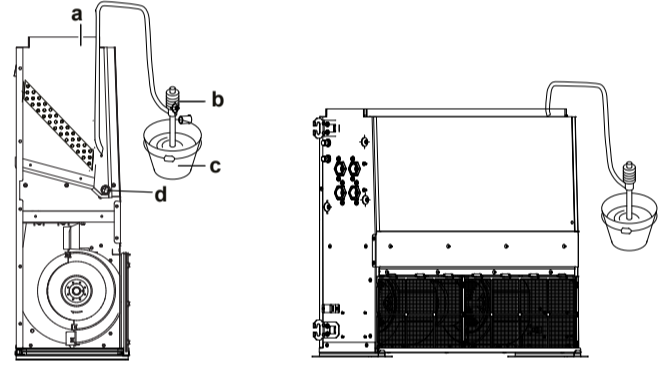
5.5.2 Drenaj borularını kontrol etmek için

Tahliye borularının bağlanmasından sonra, tahliyenin sorunsuz şekilde gerçekleşip gerçekleşmediğini kontrol edin.

- 1 Yaklaşık 1 litre suyu hava çıkışından azar azar ilave edin.



- a Plastik su koyma şişesi
b Drenaj soketi



- a Hava çıkışı
b Taşınabilir pompa
c Kova
d Drenaj soketi

- 2 Drenaj akışını kontrol edin ve drenaj soketine bakarak drenaj işlemini onaylayın.

6 Devreye Alma

Lütfen müşteriye (EU)2016/2281 uyarınca çevre dostu tasarım verilerini sağlayın. Bu veriler montör başvuru kılavuzunda veya Daikin web sitesinden bulunabilir.

! BİLDİRİM

Üniteyi HER ZAMAN termistörler ve/veya basınç sensörleri/anahtarları ile çalıştırın. YOKSA, kompresör yanması ile sonuçlanabilir.

6.1 Bir test çalıştırması gerçekleştirmek için

Kurulum tamamlandıktan sonra, montörün cihazın doğru çalıştığını doğrulaması gerekir. Üniteye bir sorun olması ve çalışmaması durumunda, yerel satıcınıza başvurun.

! BİLDİRİM

Test çalıştırmasını kesmeyin.

7 Bakım ve servis



BİLDİRİM

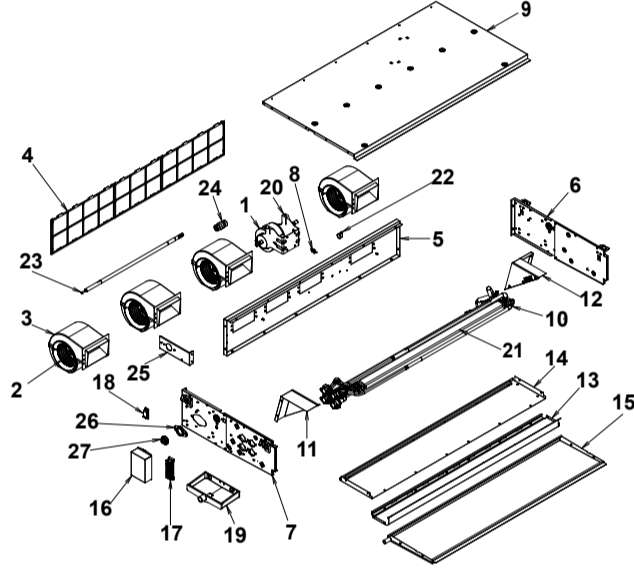
Sistemi kendi kendinize demonte etmeye **ÇALIŞMAYIN**: sistemin demonte edilmesi ve soğutucu, yağ ve diğer parçalarla ilgili işlemler ilgili mevzuata uygun olarak GERÇEKLEŞTİRİLMELİDİR. Üniteler yeniden kullanım, geri dönüştürme ve kazanım için özel bir işleme tesisinde İŞLENMELİDİR.



UYARI

Ünitenin küçük hayvanlar tarafından bir sığınak olarak kullanılmasını önlemek için gerekli önlemleri alın. Küçük hayvanların elektrikli parçalara temas etmesi arızalara, dumana veya yangına yol açabilir.

Vidaları çıkarmak için uygun alet kullanın. Ürün aşağıda gösterildiği gibi demonte edilebilir.



FWE-D Geri dönüşüm talimat listesi	
Malzemeler	Öge
Elektrik parçası (fan motoru + kapasitör)	1
Alüminyum (kanat) + bakır (boru) + galvanize çelik (plaka) + pirinç	10
Plastik	2, 18, 8, 22, 27
Plastik + metal	3, 17, 24
Plastik (çerçeve) + plastik (ağ)	4
Galvanize çelik	5, 9, 13, 14, 16, 20, 23, 25, 26
Galvanize çelik + plastik köpük	6, 7, 11, 12, 15, 19
Plastik köpük	21

6.2 İşletmeye alma öncesi kontrol listesi

Ünitenin montajından sonra, önce aşağıda listelenen öğeleri kontrol edin. Tüm kontroller yerine getirildiğinde, ünite muhafazaları kapatılmalıdır. Kapatıldıktan sonra üniteye enerji verin.

<input type="checkbox"/>	Montaj Üniteyi çalışmaya başlatırken anormal gürültü ve titreşimlerin olmaması için ünitenin gereği gibi monte edildiğini kontrol edin.
<input type="checkbox"/>	Drenaj Drenaj akışının rahat olduğundan emin olun. Olası sonuç: Yoğuşma suyu damlayabilir.

<input type="checkbox"/>	Güç besleme gerilimi Yerel besleme panosundaki güç besleme gerilimini kontrol edin. Gerilim, ünite tanıtma etiketi üzerindeki gerilime uymalıdır.
<input type="checkbox"/>	Toprak kablo bağlantıları Toprak kablolarının gereği gibi bağlandığından ve toprak terminallerinin sıkıldığından emin olun.
<input type="checkbox"/>	Sigortalar, devre kesiciler veya koruma cihazları Sigortaların, devre kesicilerin veya yerel olarak montajı yapılan koruma cihazlarının "4.4 Elektrik kablo tesisatı hazırlığı" sayfa 168 bölümünde belirtilen büyüklük ve tipte olduğunu kontrol edin. Bir sigorta ya da koruma cihazının atlanmadığından emin olun.
<input type="checkbox"/>	İç kablo bağlantıları Elektrik aksam kutusunu ve ünitenin içini gevşek bağlantılar veya hasarlı elektrikli parçalar için görsel olarak kontrol edin.
<input type="checkbox"/>	Zarar görmüş donatım Ünitenin içini, zarar görmüş elemanlar veya sıkıştırılmış borular açısından kontrol edin.
<input type="checkbox"/>	Hava girişi/çıkışı Ünitenin hava girişi ve çıkışının kağıt, mukavva veya başka bir madde ile engellenmediğini kontrol edin.

7 Bakım ve servis

Ürünümüzün kullanım ömrü on (10) yıldır.



BİLDİRİM

Bakım yetkili montajcı veya servis personeli tarafından YAPILMALIDIR.

En az yılda bir kez bakım yapılmasını öneririz. Ancak, yürürlükteki mevzuat daha kısa bakım aralıkları gerektirebilir.

7.1 Hava filtresini temizlemek için

Zamanı

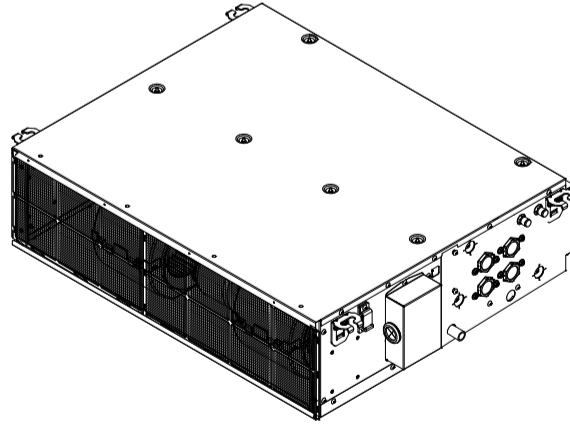
- 6 ayda bir temizleyin. Oda içindeki hava aşırı kirli ise, temizleme sıklığını artırın.
- Kirin temizlenmesi imkansız hale gelirse, hava filtresini orijinal ekipmanla değiştirin.

Nasıl

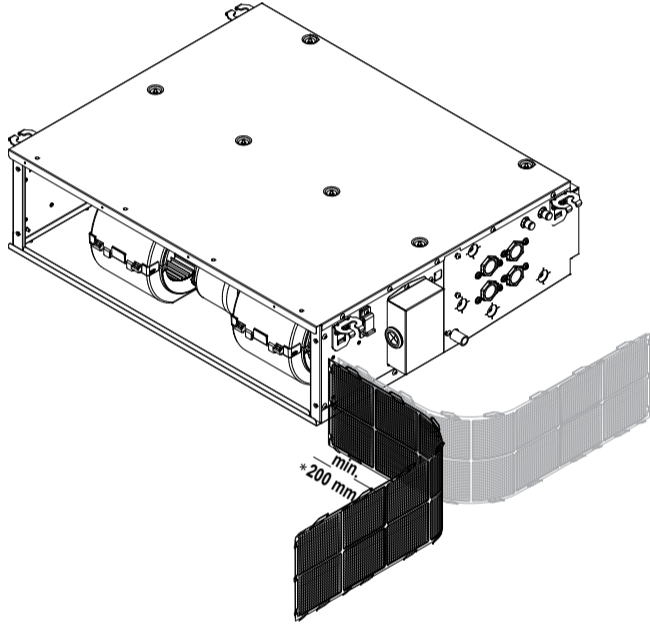
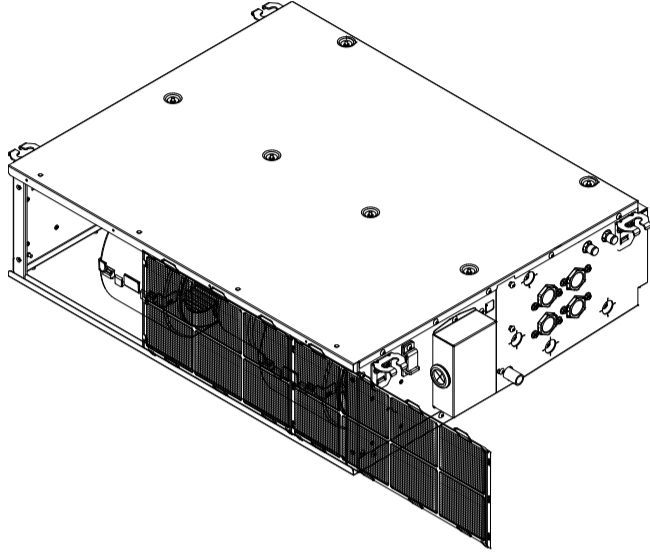
- Güç beslemesini kapatın.
- Hava filtresi bu ünite 2 konumdan 1 tanesine takılabilir (yan ve alt). Filtreyi aşağıda gösterildiği gibi kaydırarak çıkarın.

Yatay montaj

Filtreyi kaydırarak çıkarın.

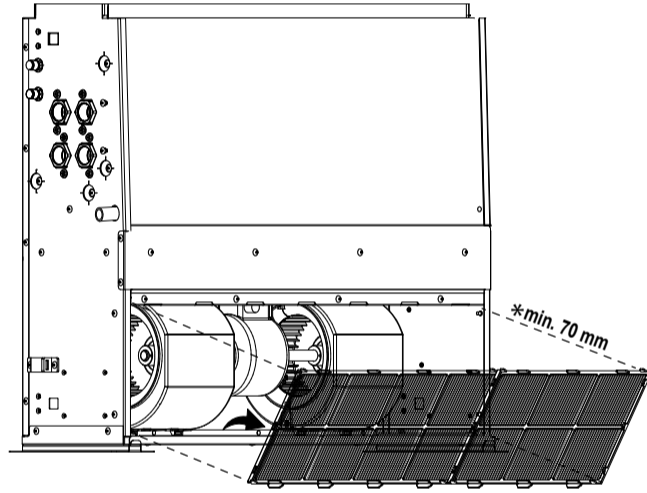
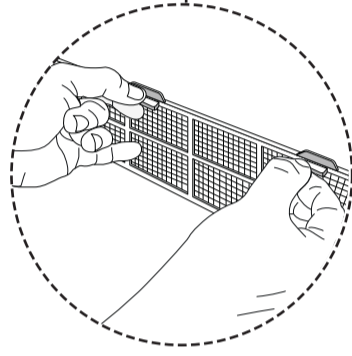
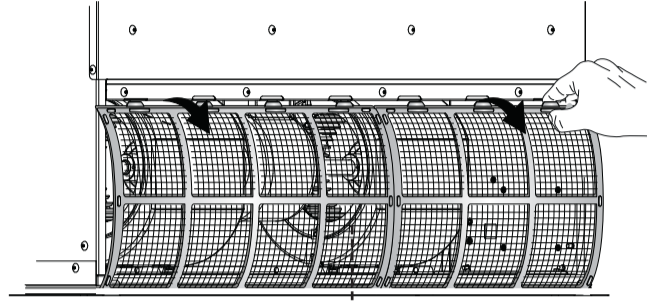
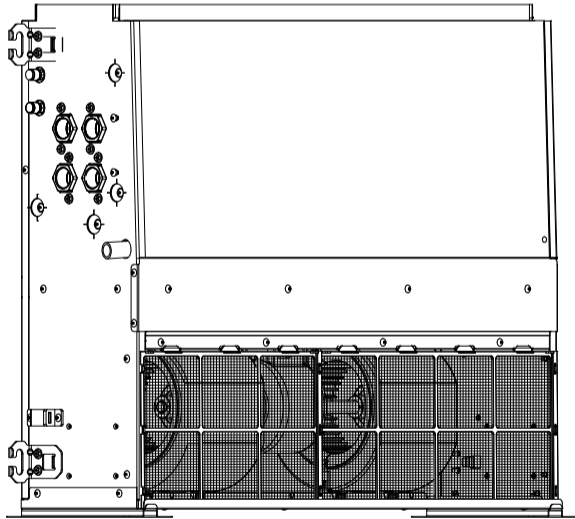


7 Bakım ve servis

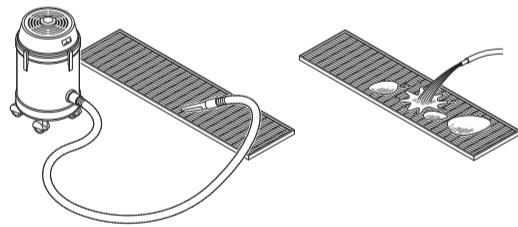


Dikey montaj

Filtredeki tırnakları itin ve geri çekin.



- 3 Bir elektrikli süpürge kullanın veya hava filtresini suyla yıkayın. Hava filtresi çok kirli olduğunda yumuşak bir fırça ve nötral deterjan kullanın.



- 4 Hava filtresini orijinal konuma tekrar yerleştirin.

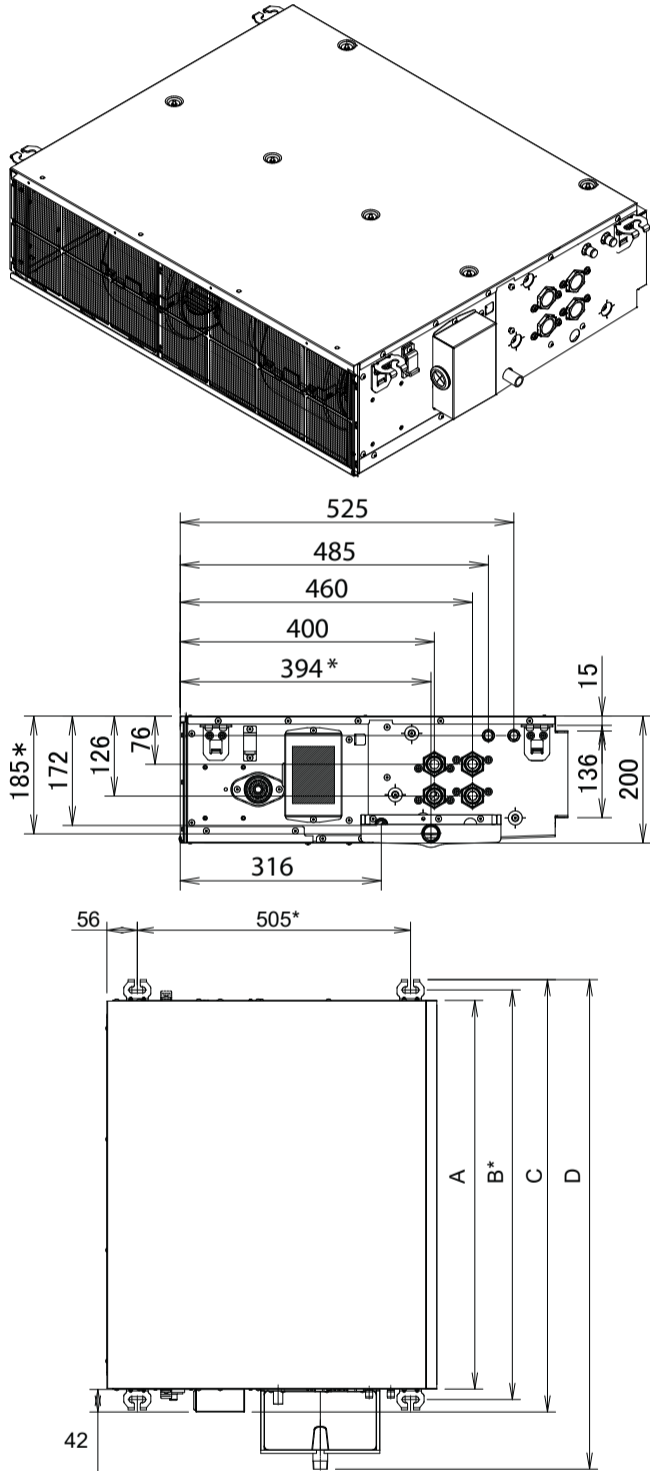
8 Teknik veriler

8 Teknik veriler

- En son teknik verilerin bir alt kümesine bölgesel Daikin web sitesinden (genel erişime açık) ulaşılabilir.
- En son teknik verilerin tam kümesine Daikin Business Portal üzerinden ulaşılabilir (kimlik denetimi gerekir).

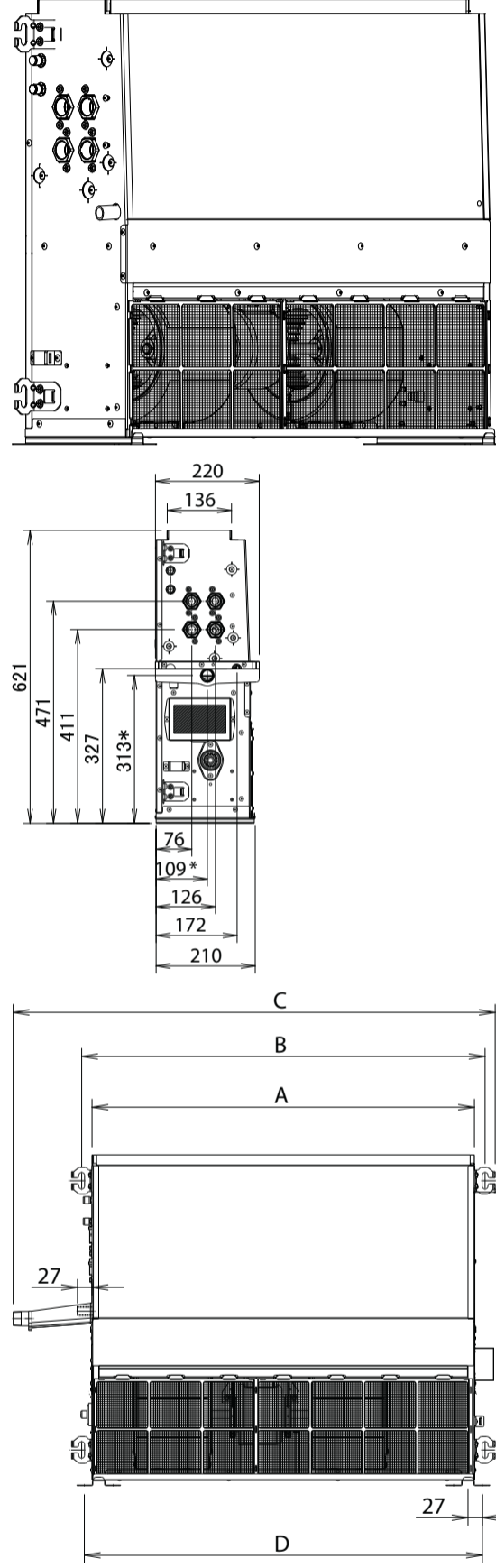
8.1 Boyutlar

Yatay görünüm



Birimler: mm	A	B	C	D
FWE03~05	719	757	799	909
FWE06	919	957	999	1109
FWE07~11	1119	1157	1199	1309

Dikey görünüm



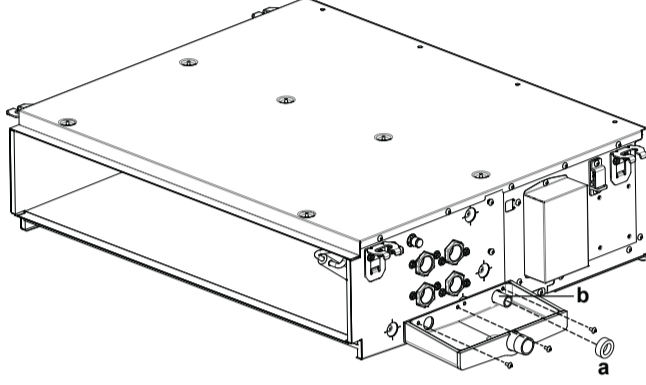
Birim: mm	A	B	C	D
FWE03~05	719	757	909	747
FWE06	919	957	1109	947
FWE07~11	1119	1157	1309	1147

8 Teknik veriler

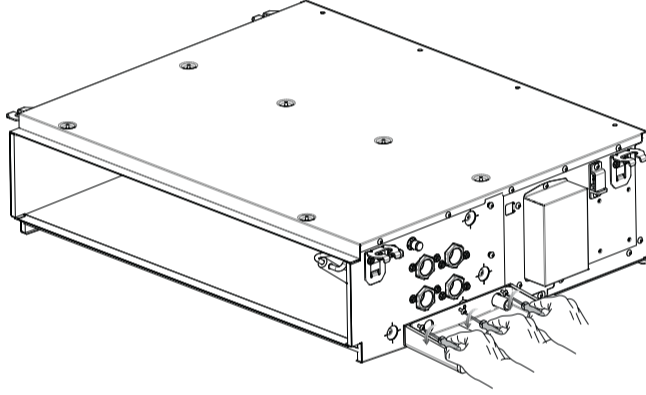
Ayarlanabilir drenaj tavası (yatay)

⚠ DİKKAT

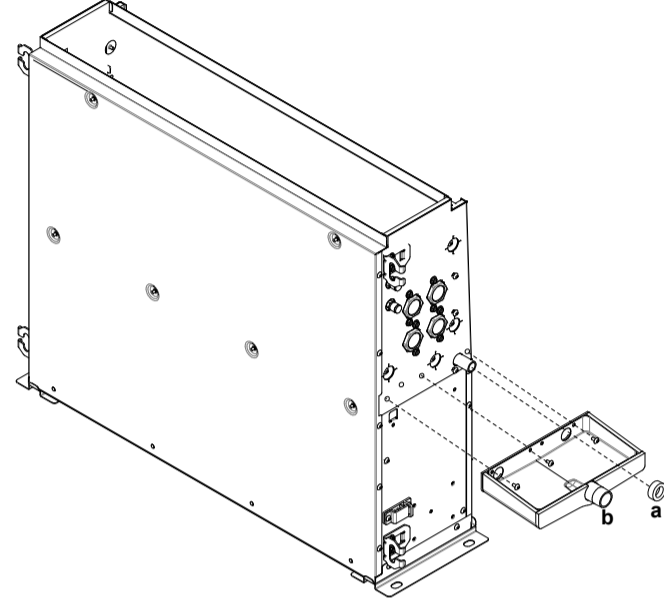
Ek drenaj tavasını taktıktan sonra drenaj soketi kauçuğunu taktığınızdan emin olun. Aksi halde ana ünite veya su borularındaki yoğuşma, hava filtresindeki pislik veya drenaj tıkanması damlamaya neden olarak söz konusu objenin kirlenmesine veya bozulmasına yol açabilir.



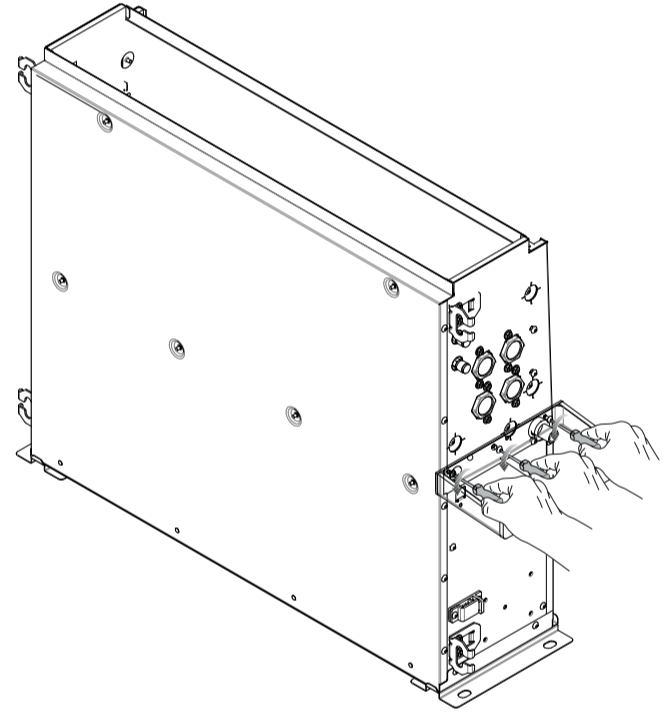
- a Drenaj soketi kauçuğu
- b Ek drenaj soketi



Ayarlanabilir drenaj tavası (dikey)




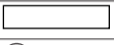


- a Drenaj soketi kauçuğu
- b Ek drenaj soketi



8 Teknik veriler

8.2 Kablo şeması

Terminalde

İngilizce	Tercüme
	Bağlantı
X1M	Ana terminal
-----	Sahada temin edilir
	Baskı devre kartı
	Koruyucu topraklama
	Toprak
---■---	Saha kablosu

Fan motoru kablosu

WHT	Beyaz
GRN	Yeşil
RED	Kırmızı
ORG	Turuncu
BRN	Kahverengi
YLW	Sarı
BLU	Mavi
GRN/YLW	Yeşil/sarı
C1	Kapasitör
F1U	Sigorta
X1M	Terminal şeridi
M	Fan motoru

8.3 Eco Design için bilgi gereksinimleri

Ünitenin Enerji Etiketini – Lot 21 verisine ve dış/iç kombinasyonlarına başvurmak için aşağıdaki adımları izleyin.

- 1 Aşağıdaki web sayfasını açın: <https://energylabel.daikin.eu/>
 - 2 Devam etmek için seçin:
 - Uluslararası web sitesi için "Continue to Europe" (Avrupa'ya devam).
 - Bir ülke ile ilgili site için "Other country" (Diğer ülke).
- Sonuç:** "Seasonal efficiency" (Mevsimsel verimlilik) web sayfasına yönlendirilirsiniz.
- 3 "Eco Design – Ener LOT 21" altında, "Generate your data" (Verilerinizi oluşturun) seçeneğine tıklayın.
- Sonuç:** "Seasonal efficiency (LOT 21)" (Mevsimsel verimlilik (LOT21)) web sayfasına yönlendirilirsiniz.
- 4 Doğru sistemi seçmek için web sayfasındaki yönergeleri izleyin.

Sonuç: Seçim yapıldığında, LOT 21 veri sayfası bir PDF veya HTML web sayfası olarak görüntülenebilir.



BİLGİ

Sonuçta çıkan web sayfasından diğer belgelere (örn. kılavuzlar,...) de başvurulabilir.

Tartalomjegyzék

Tartalomjegyzék

1 A dokumentum bemutatása	182
1.1 A dokumentum bemutatása	182
1.2 A figyelmeztetések és szimbólumok jelentése	182
1.3 Általános	182
2 A doboz bemutatása	183
2.1 Áttekintés: A doboz bemutatása	183
2.2 A klímakonvektor egység kicsomagolása és kezelése	183
2.3 Tartozékok eltávolítása a klímakonvektor egységből	183
3 Az egység bemutatása	183
3.1 Áttekintés: Egységek és opciók	183
3.2 Azonosítás	184
3.2.1 Azonosító címke: Klímakonvektor egység	184
4 Előkészületek	184
4.1 Áttekintés: Előkészületek	184
4.2 A berendezés helyének előkészítése	184
4.3 A vízcsövek előkészítése	185
4.4 Az elektromos huzalozás előkészítése	185
4.4.1 Információk az elektromos huzalozás előkészítéséről	185
5 Felszerelés	186
5.1 A klímakonvektor egység felszerelése	186
5.1.1 Vízszintes beszerelés	186
5.1.2 Függőleges beszerelés	187
5.2 Váltás vízszintes felszerelésről függőleges szerelésre	188
5.3 A vízvezetékek csatlakoztatása	188
5.3.1 A vízvezetékek csatlakoztatása	189
5.3.2 A vízkör feltöltése	189
5.4 A vezetékek csatlakoztatása	189
5.4.1 Az elektromos huzalozás csatlakoztatásának bemutatása	189
5.4.2 Irányelvek az elektromos huzalozás csatlakoztatásához	189
5.4.3 Elektromos huzalok csatlakoztatása a klímakonvektor egységhez	190
5.4.4 Elektromos huzalok csatlakoztatási irányának módosítása	190
5.5 Kondenzvízcsövek csatlakoztatása	192
5.5.1 A kondenzvízcsövek csatlakoztatása az egységhez	192
5.5.2 Az elvezetőcsövek ellenőrzése	193
6 Beüzemelés	193
6.1 Próbaüzem végrehajtása	193
6.2 Beüzemelés előtti ellenőrzőlista	193
7 Karbantartás és szerelés	194
7.1 A levegőszűrő tisztítása	194
8 Műszaki adatok	196
8.1 Méretek	196
8.2 Huzalozási rajz	198
8.3 Környezetbarát tervezéshez szükséges adatok	199

1 A dokumentum bemutatása

1.1 A dokumentum bemutatása

Célközönség

Képesített szerelők

i INFORMÁCIÓ

A készülék tapasztalt vagy képzett felhasználók általi áruházi, könnyűipari vagy mezőgazdasági, illetve nem szakemberek általi kereskedelmi és háztartási használatra lett tervezve.

Dokumentációkészlet

Ez a dokumentum egy dokumentációkészlet része. A teljes dokumentációkészlet a következőkből áll:

A mellékelt dokumentáció legújabb verzióját a regionális Daikin webhelyen vagy forgalmazójától szerezheti be.

Az eredeti dokumentum angol nyelven íródott. A más nyelvű kiadások ennek fordításai.

• Klímakonvektor egység szerelési kézikönyve:

- Szerelési utasítások
- Formátum: Papír (a klímakonvektor egység dobozában)

1.2 A figyelmeztetések és szimbólumok jelentése



VESZÉLY

Súlyos vagy halálos sérülést okozó helyzet.



VESZÉLY: ÁRAMÜTÉS VESZÉLYE

Áramütés veszélye.



VESZÉLY: ÉGÉSI SÉRÜLÉS VESZÉLYE

Szélsőségesen magas vagy alacsony hőmérséklet, fennáll az égési sérülés veszélye.



VESZÉLY: ROBBANÁS VESZÉLYE

Robbanás veszélye.



FIGYELEM

Súlyos vagy halálos sérülés veszélye.



FIGYELMEZTETÉS: TŰZVESZÉLYES ANYAG



VIGYÁZAT

Enyhe vagy közepesen súlyos sérülés veszélye.



TÁJÉKOZTATÁS

Berendezések vagy vagyontárgyak sérülésének veszélye.



INFORMÁCIÓ

Hasznos tipp vagy további információ.

Jelölés	Magyarázat
	Beszerelés előtt olvassa el a szerelési és üzemeltetési kézikönyvet, illetve tekintse meg a huzalozási útmutató ábrát.
	Karbantartás elvégzése és szervizelés előtt olvassa el a szerelési kézikönyvet.
	További információkat az "Referencia útmutató a beszereléshez és a használatához" kiadványban talál.

1.3 Általános

Ha NEM biztos abban, miként szerelje fel vagy működtesse az egységet, lépjen kapcsolatba forgalmazójával.

2 A doboz bemutatása

! TÁJÉKOZTATÁS

A helytelen üzembe helyezés, illetve a berendezés vagy kiegészítők helytelen csatlakoztatása áramütést, rövidzárlatot, szivárgást, tüzet vagy a berendezés egyéb károsodását okozhatja. Kizárólag a Daikin által gyártott vagy jóváhagyott tartozékokat, opcionális berendezéseket és pótalkatrészeket használjon.

! FIGYELEM

Győződjön meg róla, hogy a szerelés, a tesztelés és a felhasznált alapanyagok kiválasztása a vonatkozó törvényi előírások szerint történik (a Daikin dokumentációban leírt útmutatások betartása mellett).

! VIGYÁZAT

A rendszer szerelése, karbantartása és szervizelése során viseljen megfelelő védőfelszerelést (védőkesztyűt és -szemüveget stb.).

! FIGYELEM

A műanyag csomagoló tasakokat kidobás előtt szét kell tépni, hogy a gyermekek véletlenül se játszhassanak velük. Lehetséges kockázat: fulladás.

! FIGYELEM

Akadályozza meg, hogy az egységbe kisebb termetű állatok fészkeljék be magukat. Az elektromos alkatrészekre mászó kis élőlények működészavarokat, füstölést vagy tüzet is okozhatnak.

! VIGYÁZAT

NE érjen a levegő bemeneti nyílásához és a készülék alumínium ventilátorszárnyaihoz.

! TÁJÉKOZTATÁS

- NE tegyen semmilyen tárgyat vagy készüléket a berendezés tetejére.
- NEM szabad a berendezésre felmászni, felülni vagy felállni.

! VESZÉLY: ÁRAMÜTÉS VESZÉLYE

- Gondoskodjon róla, hogy a rendszer megfelelően földelve legyen.
- Szervizelés előtt kapcsolja ki a tápellátást.
- Az áramellátás bekapcsolása előtt szerelje fel a kapcsolódoboz fedelét.

! VIGYÁZAT

- Ellenőrizze, hogy a felszerelés helye elbírja az egység súlyát. A hibás felszerelés veszélyt okoz. Emellett vibráció és szokatlan működési zaj is jelentkezhet.
- Hagyjon elégséges szerelési teret.
- NE szerelje fel az egységet úgy, hogy az a mennyezethez vagy a falhoz érjen, mivel ez vibrációt okozhat.

! VESZÉLY: ÁRAMÜTÉS VESZÉLYE

Nem szabad nedves kézzel a klímakonvektor egységekhez nyúlni. Ellenkező esetben áramütés lehet a következmény.

2 A doboz bemutatása

2.1 Áttekintés: A doboz bemutatása

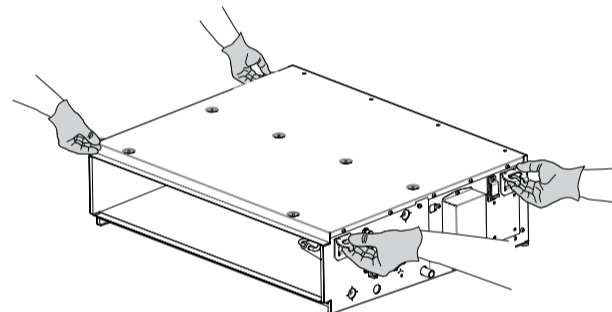
Tartsa szem előtt az alábbiakat:

- Kiszállításkor az egység sértetlenségét ellenőrizni KELL. Bármilyen sérülést azonnal jelezni KELL a szállítványozó reklamációs ügyintézőjének.
- A becsomagolt egységet vigye minél közelebb a végleges üzembe helyezési helyhez, hogy megelőzze a szállítás során okozott sérüléseket.
- Tervezze meg előre, hogy milyen útvonalon kerül az egység a felszerelési helyére.

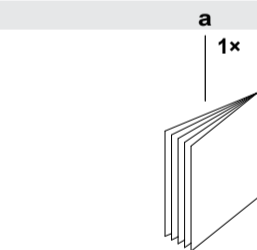
2.2 A klímakonvektor egység kicsomagolása és kezelése

Puha anyagú hevederekkel és védőlemezekkel együtt mozgassa, hogy elkerülje a készülék sérüléseit. Ezzel elkerülhető, hogy a készülék karcosodjon.

- 1 Az egység mozgatásakor mindenképpen az függesztő konzolnál fogva emelje fel az egységet, és ne gyakoroljon nyomást más részekre, különös tekintettel a kondenzvízcsövekre és a hőszigetelésre.



2.3 Tartozékok eltávolítása a klímakonvektor egységből



a Szerelési kézikönyv

3 Az egység bemutatása

3.1 Áttekintés: Egységek és opciók

A fejezet az alábbiakról ad tájékoztatást:

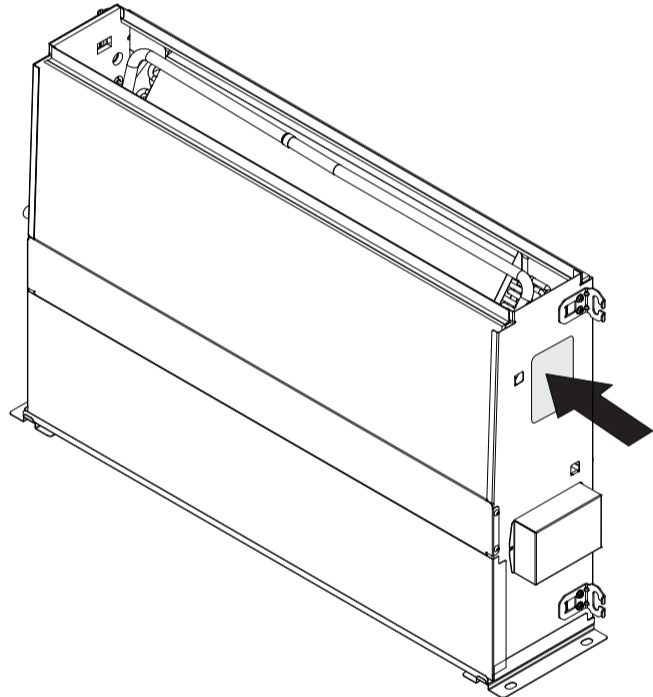
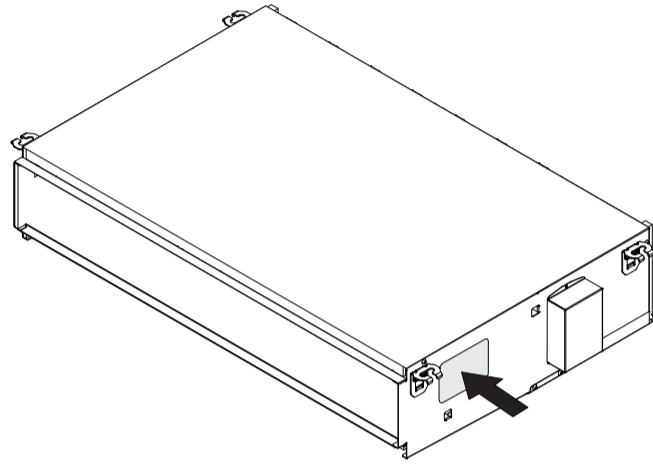
- A klímakonvektor egység azonosítása.

4 Előkészületek

3.2 Azonosítás

3.2.1 Azonosító címke: Klímakonvektor egység

Helye



A modellek azonosítása

Példa: FW E 03 D A F N 5 V3 — L

Kód	Leírás
FW	Vízet használó klímakonvektor egység
E	Flex alacsony statikus nyomás (LSP) készülékház nélkül
03	Teljesítményszint: 03=1,5 kW
D	Nagyobb modellmódosítás (A - Z)
A	Kiseb módosítás
F	4 cső
N	Szelep nélkül
5	Hendek üzem
V3	Ventilátormotor / egy fázis / 50 Hz / 220~240 V
—	Nincs opció

Kód	Leírás
L	S: Bal oldali víz – Bal oldali elektromos csatlakoztatás L: Bal oldali víz – Jobb oldali elektromos csatlakoztatás T: Jobb oldali víz – Jobb oldali elektromos csatlakoztatás R: Jobb oldali víz – Bal oldali elektromos csatlakoztatás

4 Előkészületek

4.1 Áttekintés: Előkészületek

Ez a fejezet ismerteti, hogy milyen teendőket kell elvégezni, illetve mit kell tudni a helyszínrre érkezés előtt.

Az alábbi teendőkről kap tájékoztatást:

- A berendezés helyének előkészítése
- A vízcsövek előkészítése
- A villamos vezetékek előkészítése

4.2 A berendezés helyének előkészítése

FIGYELEM

NE helyezzen a ventilátor egység alá, mert a tárgyak elázhatnak. Ellenkező esetben a fő egységre vagy a vízcsövekre lecsapódott kondenzvíz, a levegőszűrő vagy a kondenzvíz-elvezetés eltömődése miatt víz csöpöghet a berendezésből, ami kárt tehet az alá tett tárgyban.

TÁJÉKOZTATÁS

Kérjen tanácsot a forgalmazótól, hogy az egység külső statikus nyomása ne haladja meg a határértéket.

Ne szerelje vagy üzemeltesse az egységet az alábbi helyeken.

- Olyan helyek, ahol ásványi olaj, annak a gőze vagy párája található, például konyhában (a műanyag alkatrészek deformálódhatnak).
- Ahol korrozív gázok, pl. kéngázok vannak. A rézcsövek és a forrasztások korrodálódhatnak.
- Ahol a levegő sok sót tartalmaz, pl. tengerparton, és ahol a feszültség erősen ingadozik (pl. gyárakban). Gépjárművekre vagy hajókra se.
- Elektromágneses hullámokat kibocsátó gépek közelében. Az elektromágneses hullámok megzavarhatják a vezérlőrendszert, a berendezés hibáját okozva.
- Tűzveszélyes környezetben, ahol fennáll a gyúlékony anyagok (például hígító vagy üzemanyag) szivárgásának veszélye, illetve ahol szén-szálak vagy gyúlékony por található.

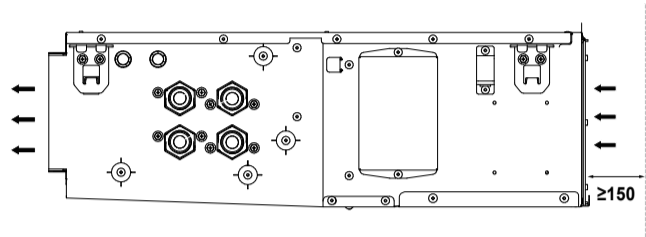
Válasszon egy olyan helyet a felszereléshez, amely megfelel a következő feltételeknek, és amely elnyeri a vevő tetszését.

A berendezés körül elegendő hely legyen a karbantartáshoz és a szervizeléshez. Az egység körül legyen elegendő tér a szellőzéshez és a levegő térbeli elosztásához, az üzembe helyezéshez szükséges hely alapján.

4 Előkészületek

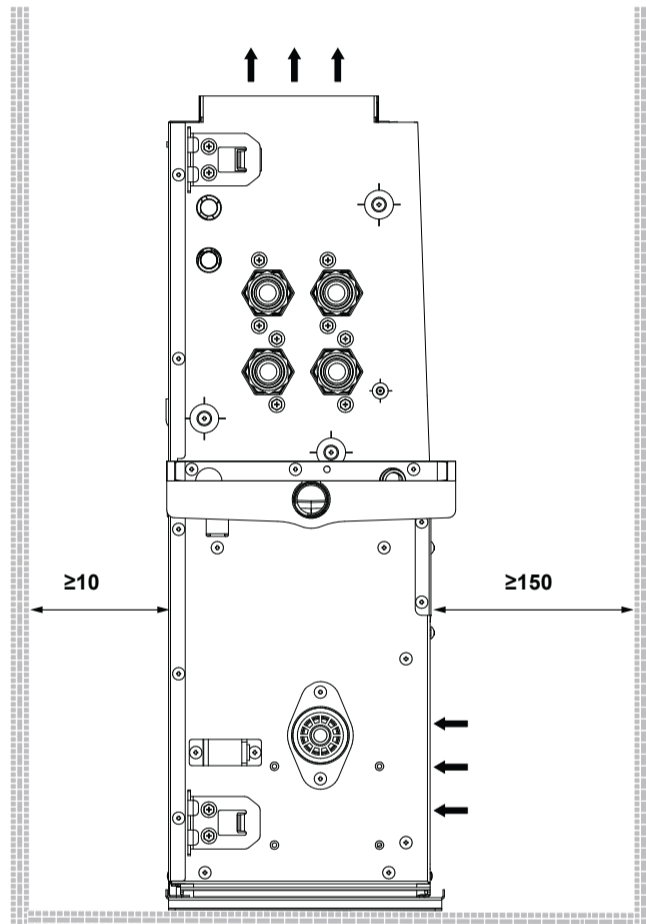
Vízszintes beszerelés

Az egységet a padló fölé $\geq 2,5$ méterre kell felszerelni, ha az egység a mennyezetről lóg le.



Függőleges beszerelés

A szűrő karbantartásához a függőleges szerelési helyet figyelembe kell venni.



VIGYÁZAT

Ne használjon felfüggesztő csavarokat a függőleges beszerelésnél. A függőleges beszerelést a függőleges beszerelési készlettel (ESFH01DS) kell elvégezni.

4.3 A vízcsövek előkészítése

A készülék vízbemeneti és vízkimeneti csatlakozással van felszerelve a vízkörrel való összekötéshez. A vízkört egy szerelőnek kell kialakítania, és meg kell felelnie a vonatkozó jogszabályoknak.



TÁJÉKOZTATÁS

A berendezést csak zárt vízrendszerrel lehet használni. Ha nyílt vízkörben alkalmazzák, akkor a vízcsövek túlzott korróziója lép fel.

A vízvezetékek szerelésének elvégzése előtt ellenőrizze a következőket:

- A maximális víznyomás 1 MPa.
- A minimális víz hőmérséklet 5°C .
- A maximális víz hőmérséklet 90°C .
- Ügyeljen rá, hogy a helyszíni csőszereléskor olyan alkatrészeket szereljen fel, amelyek nyomásállósága megfelel a megadott víznyomásnak és a hőmérsékletnek.
- Biztosítson megfelelő védőeszközöket a vízkörben, hogy a víznyomás ne haladhassa meg a maximális engedélyezett működési értéket.
- Biztosítsa a nyomáscsökkentő szelep megfelelő elvezetését (ha fel van szerelve), hogy a víz ne érintkezhesen az elektromos alkatrészekkel.
- Biztosítson elzárószelepeket az egységnél, hogy a rendszer leeresztése nélkül is el lehessen végezni a normál szervizelést.
- Helyezzen el a rendszer összes alacsony pontján leeresztőcsapokat, hogy az egység karbantartása vagy szervizelése során teljesen leereszthető legyen a vízkör.
- Szereljen a rendszer minden magas pontjára légtelenítő szelepet. A szelepeket olyan pontokon kell elhelyezni, amelyek szervizeléskor könnyen hozzáférhetők.

4.4 Az elektromos huzalozás előkészítése

4.4.1 Információk az elektromos huzalozás előkészítéséről



FIGYELEM

- CSAK réz vezetékeket használjon.
- Győződjön meg róla, hogy a helyszíni vezetékek bekötése a törvényi előírásoknak megfelelően történt-e.
- A helyszíni huzalozási munkálatokat a termékhez mellékelt huzalozási rajz szerint KELL végrehajtani.
- NE gyömöszőljön összetekert kábeleket az egységbe, és ügyeljen arra, hogy a kábelek NE érjenek a csövekhez vagy az éles szélékhez. Ellenőrizze, hogy a csatlakozásokra nem hat-e külső nyomás.
- Gondoskodjon megfelelő földelésről. NE földelje az egységet gázcsövekhez, vízcsövekhez, tülfeszültség-vezetőkhöz, és ne kösse telefonföldelésre. A helytelen földelés áramütést eredményezhet.
- Csak külön áramkört szabad használni. TILOS egy másik készülékkel közös áramellátásról üzemeltetni.
- Gondoskodjon róla, hogy be legyenek építve a szükséges biztosítékok és megszakítók.
- Mindenképpen szereljen fel földzárlat-megszakítót. Ennek elmulasztása áramütéshez vagy tűzhez vezethet.
- A földzárlat-megszakító beszerelésekor ellenőrizze, hogy kompatibilis-e az inverterrel (vagyis ellenáll-e a nagyfrekvenciás elektromos zajnak). Ha nem kompatibilis, a földzárlat-megszakító feleslegesen kioldhat.

5 Felszerelés

! TÁJÉKOZTATÁS

A kézikönyvben leírt berendezés rádiófrekvenciás eredetű elektromos zajt kelthet. A berendezés megfelel azoknak az előírásoknak, amelyek jelentős védelmet biztosítanak az ilyenfajta interferencia ellen. Nincs azonban garancia arra, hogy az interferenciajelenség nem fog fellépni.

Emiatt ajánlott, hogy a berendezést és az elektromos vezetékeket megfelelő távolságra szereljék a szórakoztatóelektronikai készülékektől, személyi számítógépektől stb.

! FIGYELEM

A helyszíni huzalozást és alkatrészeit egy képesített villanyszerelőnek KELL felszerelnie, a vonatkozó előírásoknak megfelelően.

⚡ VESZÉLY: ÁRAMÜTÉS VESZÉLYE

! FIGYELEM

Hálózati főkapcsolót vagy egyéb, minden pólust megszakító eszközt KELL a rögzített huzalozásba iktatni a vonatkozó előírásoknak megfelelően.

Elektromos jellemzők

	FWE-D
Fázis	1N~
Frekvencia	50 Hz
Feszültségtartomány	220~240 V
Voltage tolerance	≤10%
Maximális üzemi áram	0,46 A
Túláram-biztosíték	16 A

A helyszíni huzalozás specifikációi

	Vezeték	Méret (mm ²)	Hossz
Tápellátás vezetéke	H05VV-U3G ^{(a)(b)}	A vonatkozó jogszabályoknak megfelelően ≤4,0	—
A távirányító és a jelkábelek huzalozása	Védőburkolattal ellátott vezeték 2 vezető ^(c)	0,75~1,25	≤500 m ^(d)

^(a) Csak védett vezetékek esetén. Használjon H07RN-F-et, ha nem tokozottak a vezetékek.

^(b) A huzalozást védőcsővön keresztül vezesse, hogy védelmet nyújtson a külső erők hatásaival szemben.

^(c) Dupla szigetelésű vezetékkel használjon a távirányítóhoz (védőburkolat vastagsága: ≥1 mm), vagy falon vagy csővön keresztül futtassa a vezetékeket, hogy a felhasználó ne érhesen hozzájuk.

^(d) Csoportos vezérlésű rendszernél a hosszúság számít a teljes hosszának.

5 Felszerelés

5.1 A klímakonvektor egység felszerelése

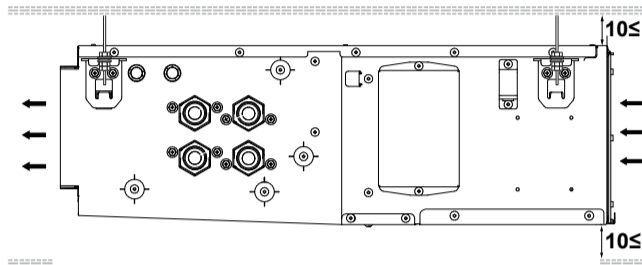
i INFORMÁCIÓ

A mennyezet és az egység közötti tér ≥10 mm, az elszívási tér ≥150 mm legyen.

i INFORMÁCIÓ

A fenti alkatrészek nem tartozékok. A szabványos felszereléstől eltérő felszereléshez tanácsért lépjen kapcsolatba a helyi forgalmazóval.

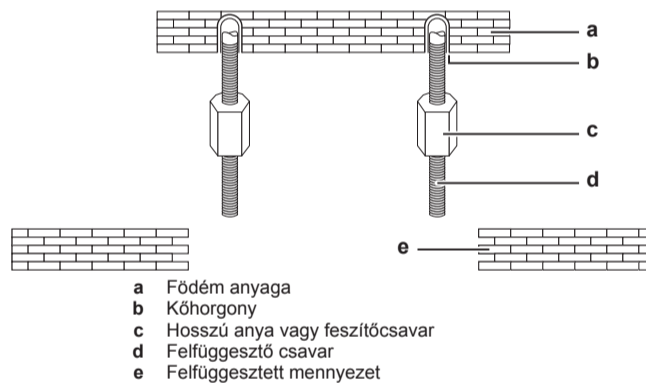
5.1.1 Vízszintes beszerelés



1 Hozza létre a felszereléshez szükséges mennyezeti nyílást egy megfelelő helyen.

Előfordulhat, hogy meg kell erősíteni a felfüggesztett mennyezetkeretet a mennyezet szintjének megőrzéséhez és a vibrálás megakadályozásához. Részletekért forduljon az építés kivitelezőjéhez.

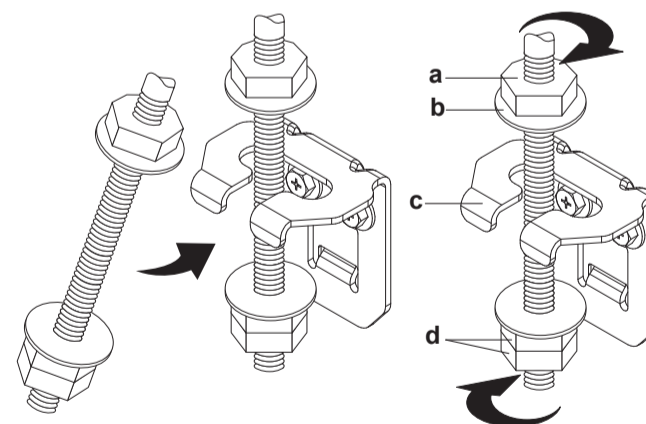
2 Szerelje fel a felfüggesztő csavarokat. Használjon W3/8 vagy M10 méretű csavarokat. Megelevő mennyezetekhez használjon horgonyokat és új mennyezetekhez használjon süllyesztett beillesztést, süllyesztett horgonyokat, vagy más nem tartozék alkatrészeket a mennyezet megerősítéséhez, hogy az elbírja az egység súlyát. Tekintse meg a megerősítést igénylő pontok kiderítéséhez. A továbblépés előtt állítsa be a mennyezettel való távolságot.



- a Födém anyaga
- b Kőhorgony
- c Hosszú anya vagy feszítőcsavar
- d Felfüggesztő csavar
- e Felfüggesztett mennyezet

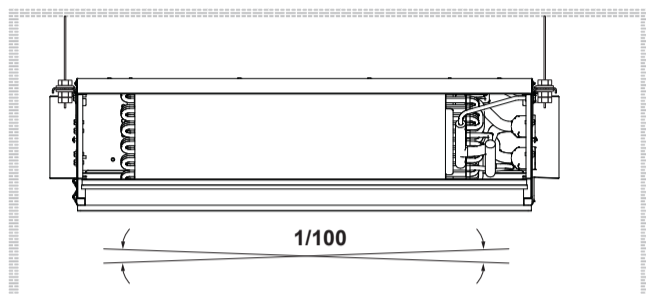
3 Szerelje fel ideiglenesen az egységet.

Rögzítse a felfüggesztő konzolt a felfüggesztő csavarhoz. Biztonságosan rögzítse az egységet.



- a Anya (nem tartozék)
- b Alátét (nem tartozék)
- c Felfüggesztő konzol
- d Kettős anya (nem tartozék)

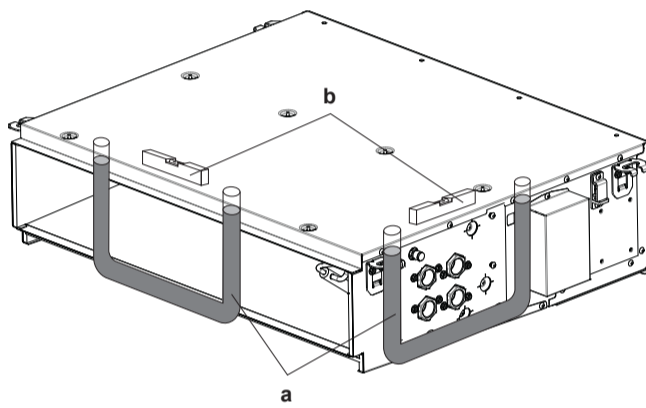
4 Helyezze az egységet a helyes pozícióba a felszereléséhez.



5 Ellenőrizze, hogy az egység vízszintesen helyezkedik-e el.

Ne szerelje fel ferdén az egységet. Amennyiben az egység a lecsapódás áramirányához képest ferde (elvezetőcsövek oldala meg van emelve), ami vízszivárgást okozhat.

Egy vízszintmérővel vagy vízzel töltött műanyagcsővel ellenőrizze, hogy az egység mind a 4 sarka vízszintes-e.



a Műanyagcső
b Szint

5.1.2 Független beszerelés

! TÁJÉKOZTATÁS

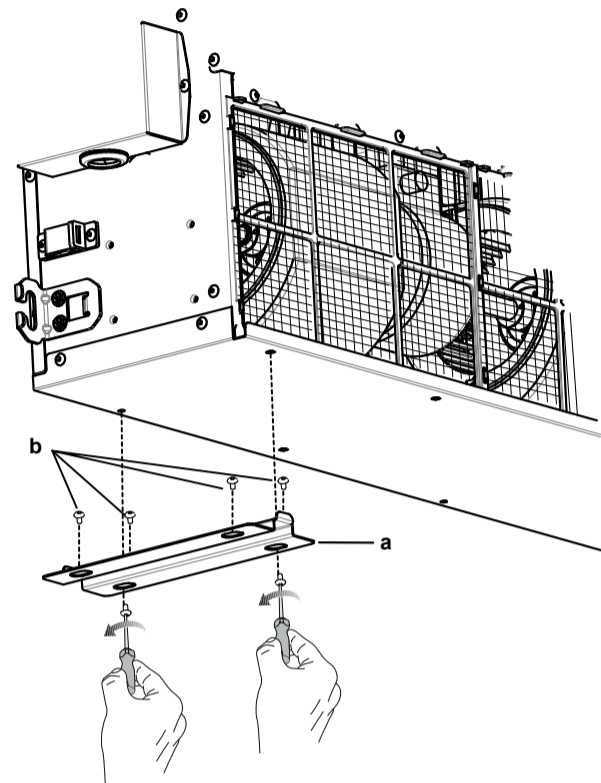
NE használjon túlságosan nagy erőt a csövek csatlakoztatásakor. A deformált csövek az egység hibás működését okozhatják. Ügyeljen rá, hogy minden csavart 3 Nm nyomatékkal húzzon meg.

! TÁJÉKOZTATÁS

Az egység független felszereléséhez szükséges opcionális készletet (ESFH01DS) a helyi forgalmazónak kell biztosítani.

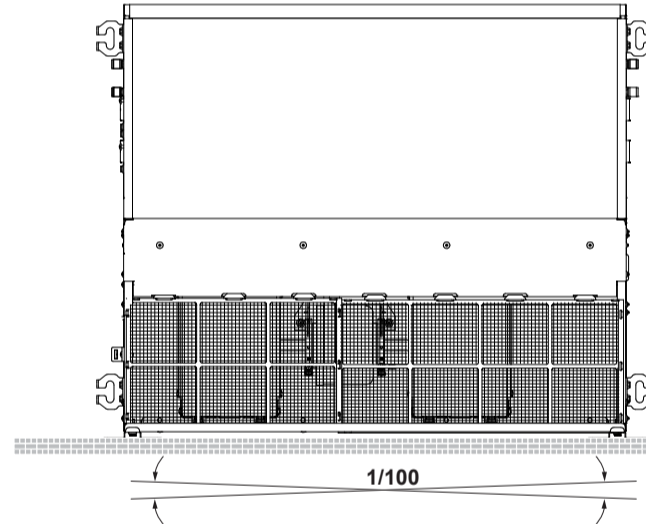
1 Szerelje fel ideiglenesen az egységet.

Az egységet közvetlenül a padlóra vagy lábakra is felszerelheti. Ügyeljen rá, hogy az egységet biztonságosan helyezze el a padlón. Ha fennáll a veszélye annak, hogy az egység megbillenhet, akkor csavarokkal rögzítse a padlóhoz a beszerelő láb furatain keresztül.



a Beszerelő láb
b Rögzítőcsavar

2 Helyezze az egységet a helyes pozícióba a felszereléséhez.



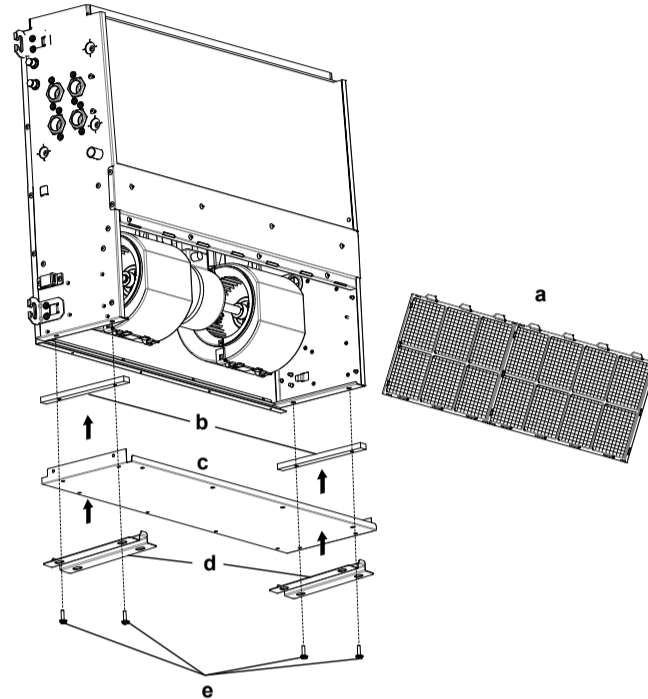
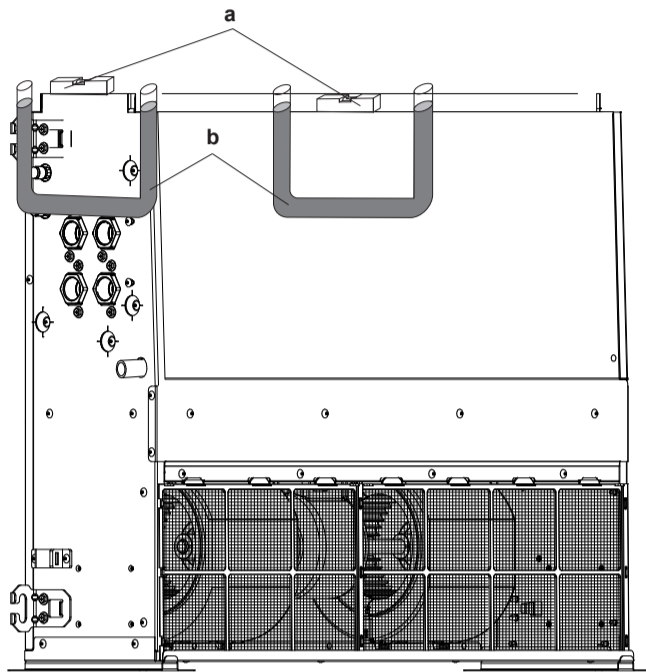
a Vízszint
b Műanyagcső

3 Ellenőrizze, hogy az egység vízszintesen helyezkedik-e el.

Ne szerelje fel ferdén az egységet. Amennyiben az egység a lecsapódás áramirányához képest ferde (elvezetőcsövek oldala meg van emelve), ami vízszivárgást okozhat.

Egy vízszintmérővel vagy vízzel töltött műanyagcsővel ellenőrizze, hogy az egység mind a négy sarka vízszintes-e.

5 Felszerelés



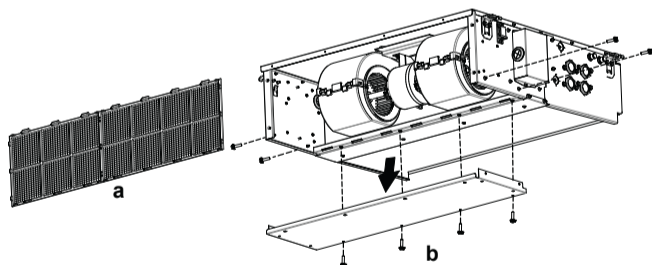
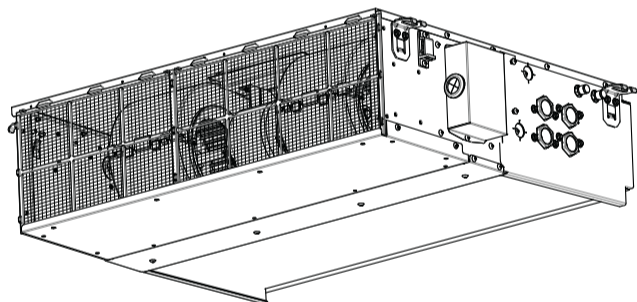
5.2 Váltás vízszintes felszerelésről függőleges szerelésre

⚠ VIGYÁZAT

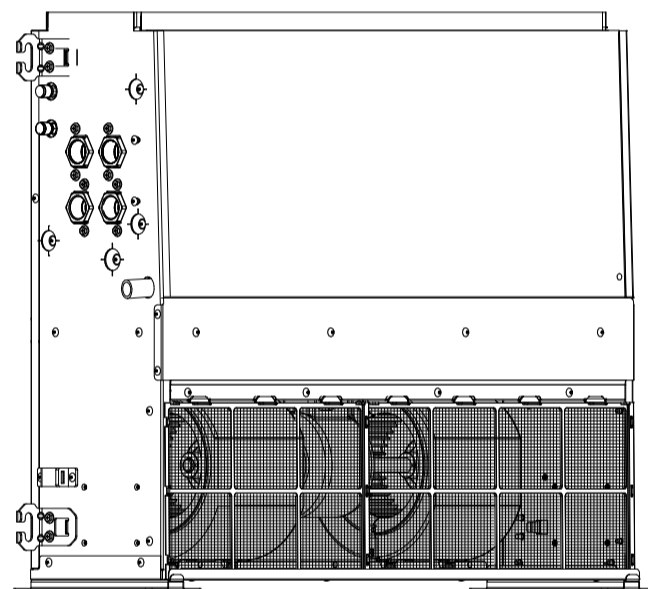
Ellenőrizze, hogy a berendezés minden irányban vízszintes-e.

Amennyiben vízszintes felszerelésről függőlegesre vált, akkor kövesse az alábbi útmutatásokat.

- 1 Távolítsa el a levegőszűrőt.
- 2 Távolítsa el a szervizfedél csavarjait, és vegye ki az egységből.



- 3 Helyezze be a gumitámasztéket (az opcionális készlet része) az oldallemez és az alsó karimák közötti szabad területre.
- 4 Szerelje vissza alulra az eltávolított szervizfedelelet.
- 5 Rögzítse az opcionális függőleges beszerelő készletből a 2 beszerelő lábat a szervizfedélhez az opcionális készletben található 4 csavarral.
- 6 Szerelje vissza a levegőszűrőt a szervizfedél szűrősinjére.
- 7 Az egységet készen áll a függőleges beszerelésre.



- a Levegőszűrő
- b Szervizfedél
- c Beszerelő lábak
- d Csavarok
- e Levegőszűrő

5.3 A vízvezetékek csatlakoztatása

⚠ TÁJÉKOZTATÁS

Ne használjon túlságosan nagy erőt a vízvezetékek csatlakoztatásakor. Ez deformálhatja az egység hőcserélőjét. A deformált vízvezetékek a berendezés működési zavarát okozhatják.

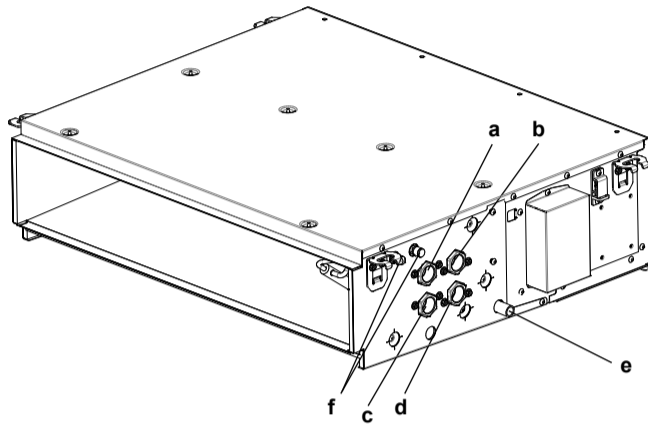
⚠ VIGYÁZAT

A szelepeket mindig a vízáramlás szabályozására kell használni az egységben. NC (munkaáramú) típusú szelepet kell választani, így a szelepek akkor zárnak, ha az egység nem üzemel. Ez megakadályozza a kondenzvíz kialakulását.

5 Felszerelés

5.3.1 A vízvezetékek csatlakoztatása

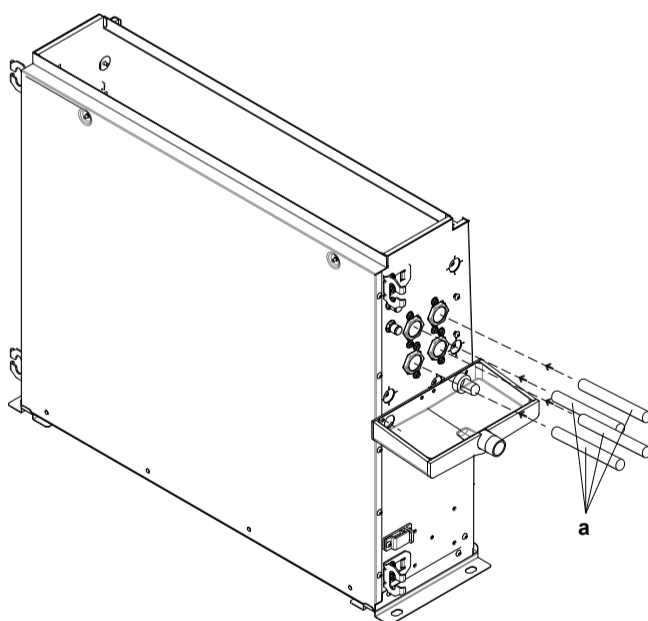
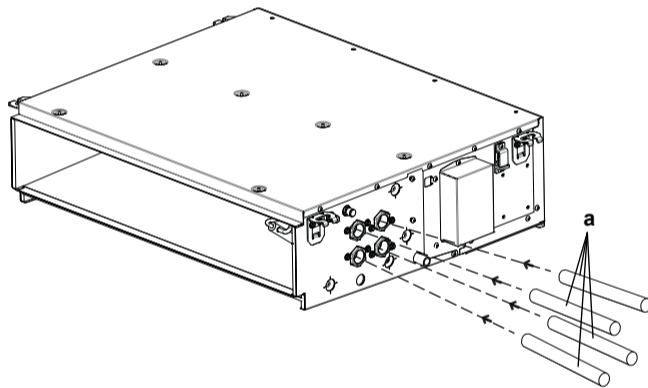
- 1 Csatlakoztassa a klímakonvektor egység vízbemenetét és vízkimenetét a vízvezetékekhez.



- a Kondenzvízcső csatlakozása (3/4" csavar)
- b Hűtővíz-bemenet (3/4" anya BSP)
- c Hűtővíz-kimenet (3/4" anya BSP)
- d Fűtővíz-bemenet (3/4" anya BSP)
- e Fűtővíz-kimenet (3/4" anya BSP)
- f
- g Légtelenítő szelep

Megjegyzés: 3/4" BSP menetes csövet az egységhez történő közvetlen csatlakozás esetén.

- 2 A teljes vízkört, vagyis az összes vezetékét szigetelni kell a páralecsapódás, valamint a teljesítmény csökkenésének megelőzése érdekében.



a Összekötő cső

5.3.2 A vízkör feltöltése

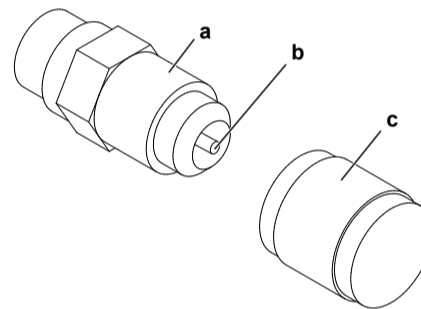
! TÁJÉKOZTATÁS

Kizárólag a 98/83 EK EU-irányelvnek megfelelő minőségű vizet használjon.

! TÁJÉKOZTATÁS

- A vízkörben megrekedt levegő meghibásodást okozhat. Feltöltéskor általában nem lehet a kört tökéletesen légteleníteni. A maradék levegő a rendszer működésének kezdeti óráiban az automatikus légtelenítő szelepeken keresztül távozik. Ezután szükség lehet víz utántöltésére.
- A rendszer kiürítéséhez használja a [193. oldal "6 Beüzemelés"](#) szakaszban leírt speciális funkciót.

- 1 Nyissa ki a fedelet.
- 2 Nyomja meg a nyomáscsökkentő szelepet a felesleges levegő az egység vízköréből történő kieresztéséhez.
- 3 Zárja le a fedelet.
- 4 Ezután szükség lehet víz utántöltésére (de soha nem a légtelenítő szelepen keresztül).



- a Légtelenítő
- b Nyomáscsökkentő szelep
- c Kupak

5.4 A vezetékek csatlakoztatása

5.4.1 Az elektromos huzalozás csatlakoztatásának bemutatása

Jellemző munkafolyamat

Az elektromos huzalok bekötése jellemzően a következő szakaszokból áll:

- 1 Annak ellenőrzése, hogy a hálózati feszültség megfelel az egység villamos előírásainak.
- 2 Elektromos huzalok csatlakoztatása a klímakonvektor egységhez.
- 3 Elektromos huzalok csatlakoztatási irányának módosítása (ha megfelelő).

5.4.2 Irányelvek az elektromos huzalozás csatlakoztatásához

Amikor ugyanolyan méretű vezetékeket csatlakoztat, az alábbi ábra alapján csatlakoztassa azokat.



Az elektromos huzalozás csatlakoztatásakor vegye figyelembe az alábbi megjegyzéseket.

5 Felszerelés

- Ne csatlakoztasson eltérő keresztmetszetű vezetékeket ugyanarra a tápcsatlakozóra. A nem megfelelő csatlakozás túlmelegedést okozhat.
- Ne csatlakoztasson különböző méretű vezetékeket ugyanahhoz a földelés-kivezetéshez. A nem megfelelő csatlakozás csökkentheti a védelmet.
- A megadott elektromos vezetékét használja (186. oldal "A helyszíni huzalozás specifikáció" szerint). A vezetékét biztonságosan csatlakoztassa a csatlakozóhoz. A megfelelő meghúzó nyomatékot (Nm) használja.
- Tápfeszültség csatlakozóblokk meghúzó nyomatéka: 1,44~1,88 Nm.
- A vezetékek legyenek rendezettek, hogy ne gátoljanak más berendezést, és ne feszítsék fel a kivezetés fedelét. Ellenőrizze, hogy a fedél jól le van-e zárva. A nem megfelelő csatlakozások túlmelegedést és a legrosszabb esetben áramütést vagy tüzet okozhatnak.

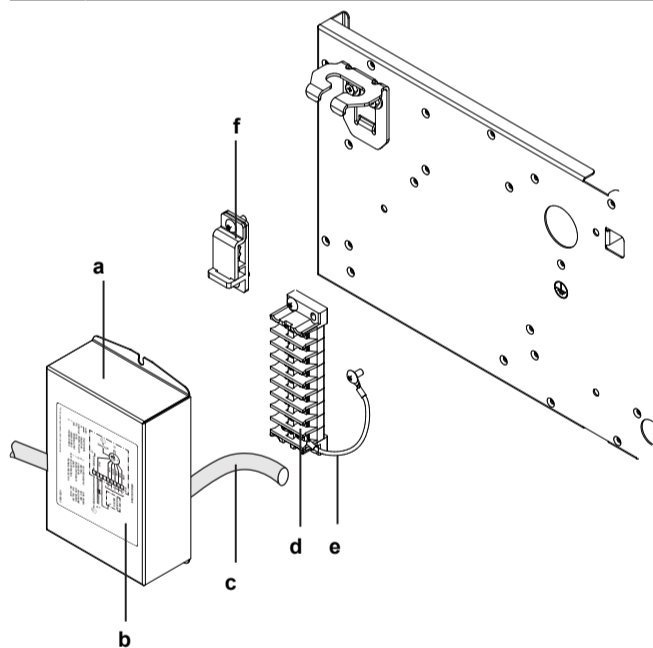
5.4.3 Elektromos huzalok csatlakoztatása a klímakonvektor egységhez

Lásd az egységen a huzalozási rajz matricáját a kivezetés fedelén.



TÁJÉKOZTATÁS

- Kövesse a bekötési rajzot (az egység tartozéka, a kapcsolódoboz fedelének belsején található).
- Ügyeljen rá, hogy az elektromos vezetékek NE akadályozzák a szervizfedél megfelelő visszahelyezését.



- a Kivezetés fedele
- b Matrica
- c Tápkábel
- d Kapocsléc
- e Földelővezeték
- f Kábelrögzítő

- 1 Távolítsa el a kivezetés fedelét és a kábelrögzítőt az egységről.
- 2 Csatlakoztassa a tápellátás kábelét a kapocslécre.
- 3 Rögzítse a tápellátás kábelét a kábelrögzítővel.
- 4 Szerelje vissza a kivezetés fedelét az egységre.

5.4.4 Elektromos huzalok csatlakoztatási irányának módosítása



TÁJÉKOZTATÁS

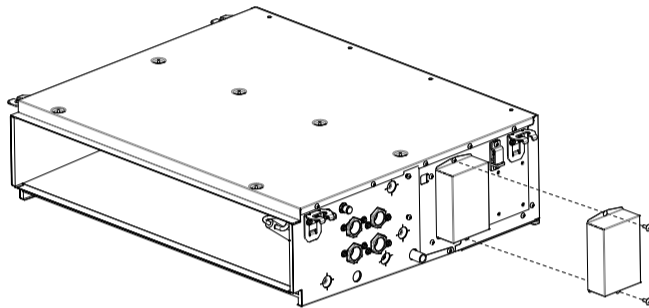
Az elektromos huzalok bekötési iránya a helyszínen megfordítható.



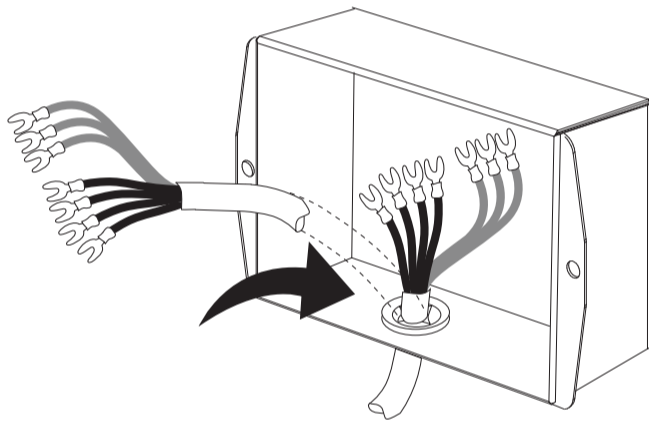
TÁJÉKOZTATÁS

A kivezetés fedelének visszahelyezésekor ne szorítson be egy vezeték se.

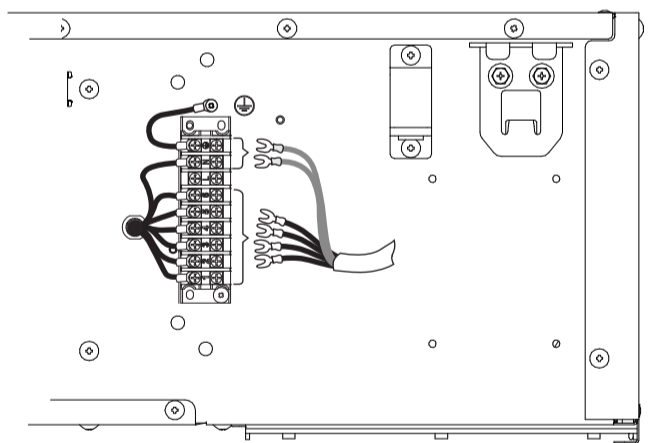
- 1 Vegye le a kivezetés fedelét, a sorkapcsot, a kábelrögzítőt, a földelővezeték és a ventilátormotor kábeleit.



- 2 Távolítsa el a ventilátormotor kábeleit a kábelrögzítőtől.

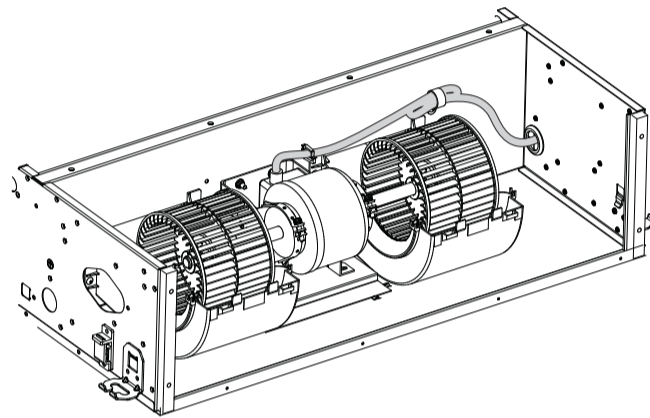
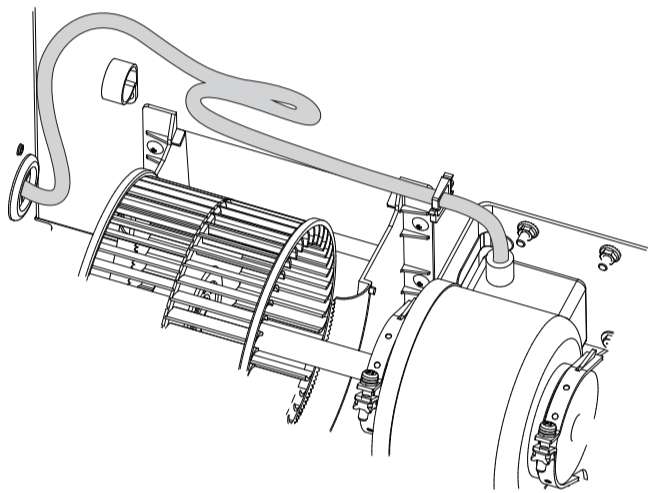
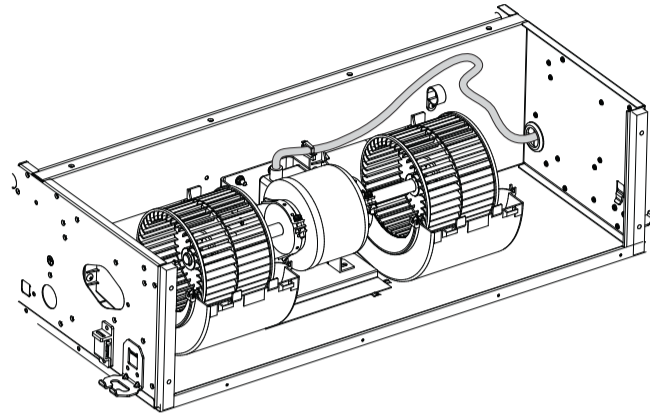
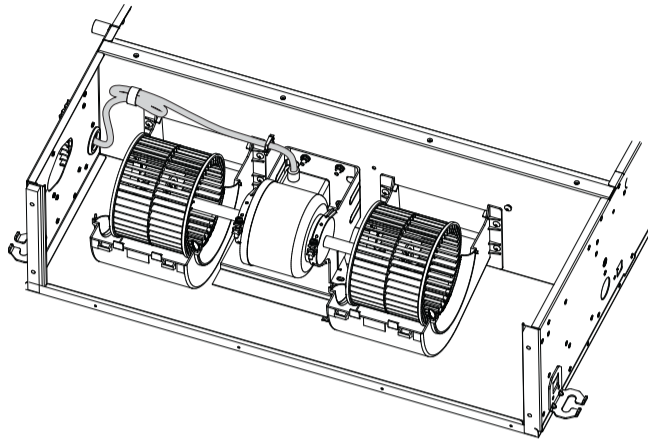


- 3 Cserélje meg a ventilátormotor kábeleinek irányát.

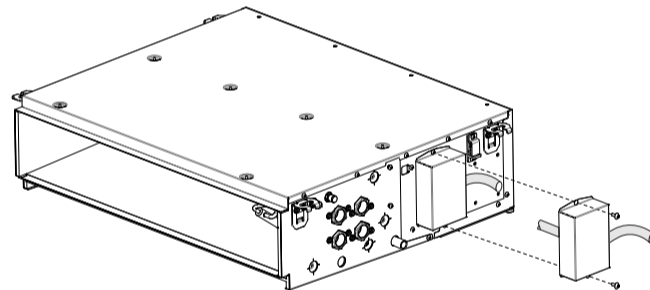
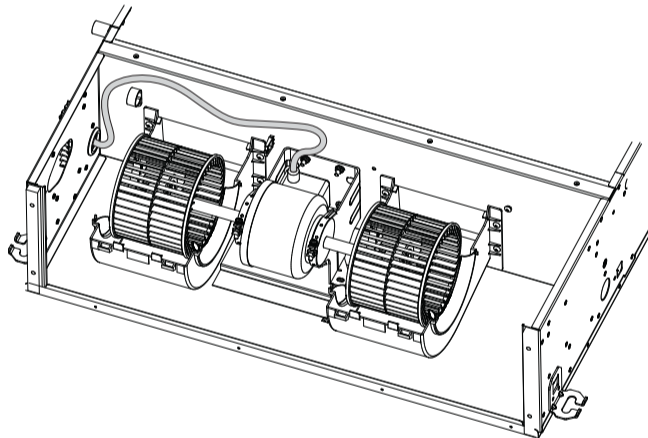


- 4 Rögzítse a kábeleket az elválasztó lemezhez. Ügyeljen rá, hogy a nem használt kábeleket kábelkötegelővel rögzítse stabilan az új pozícióba.

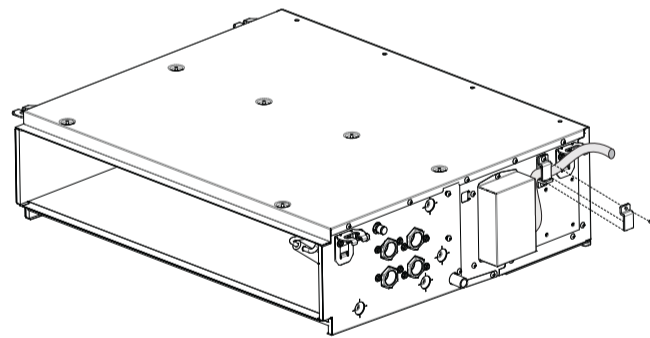
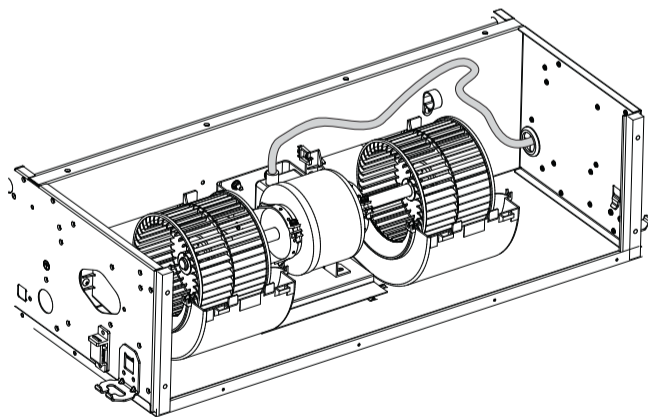
5 Felszerelés



5 A leszerelt alkatrészeket rögzítse az egységhez.



6 Szerelje fel az eltávolított kábelrögzítőt a kábelek rögzítéséhez.

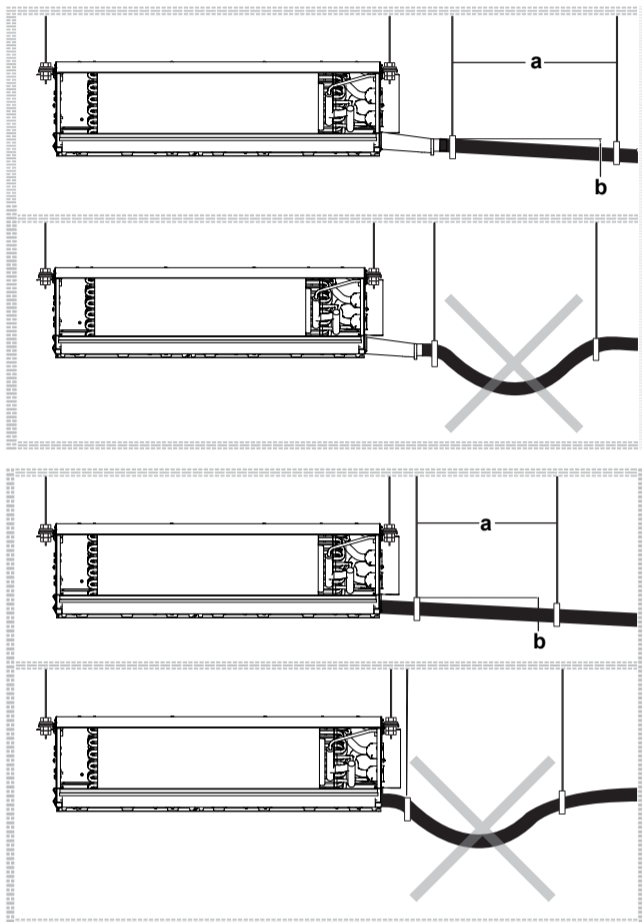


5 Felszerelés

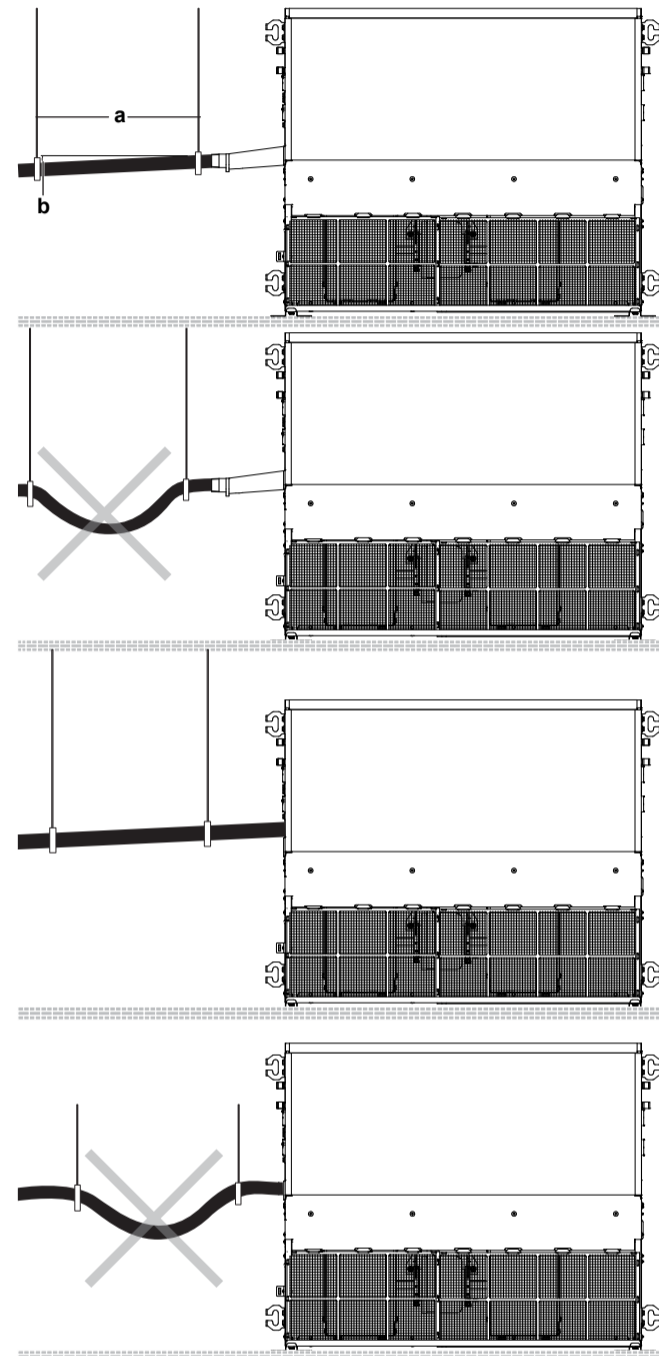
5.5 Kondenzvízcsövek csatlakoztatása

5.5.1 A kondenzvízcsövek csatlakoztatása az egységhez

Vízszintes beszerelés



Függőleges beszerelés



- a Függőrúd
- b $\geq 1/100$ esés

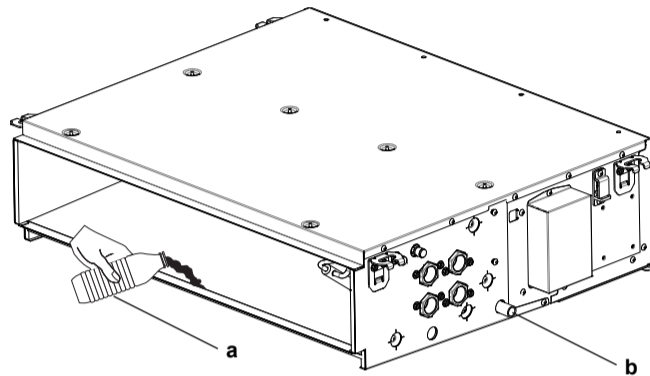
A csövek legyenek a lehető legrövidebbek, és leejtsenek legalább 1/100 értékű eséssel, hogy a levegő ne maradjon a csőben.

6 Beüzemelés

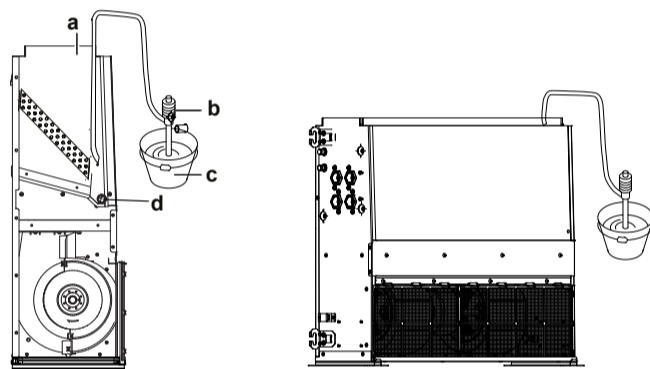
5.5.2 Az elvezetőcsövek ellenőrzése

Az elvezető csövek felszerelése után ellenőrizze, hogy az elvezetett víz simán folyik-e.

- 1 Fokozatosan adjon hozzá körülbelül 1 l vizet a levegőkimeneten keresztül.



a Műanyag vizespalack
b Kondenzvízgyűjtő



a Levegőkimenet
b Mobil szivattyú
c Vödör
d Kondenzvízgyűjtő

- 2 Ellenőrizze az elfolyást és az elvezetőnyíláson keresztül ellenőrizze a kondenzvíz-elvezetés működését.

6 Beüzemelés

Kérjük, adja át a környezetbarát tervezés adatait az (EU)2016/2281 rendelet szerint az ügyfeleknek. Ez az adat a szerelési kézikönyvben vagy a Daikin weboldalon található.

! TÁJÉKOZTATÁS

Az egységet MINDIG termisztorokkal és/vagy nyomásérzékelőkkel/-kapcsolókkal együtt működtesse. Ha NEM így tesz, a kompresszor kiéghet.

6.1 Próbaüzem végrehajtása

Felszerelés után az üzembe helyezést végző szakembernek kötelessége ellenőrizni a megfelelő működést. Amennyiben probléma akadt az egységgel, és nem üzemeltethető, lépjen kapcsolatba a helyi forgalmazóval.

! TÁJÉKOZTATÁS

A próbaüzemet ne szakítsa meg.

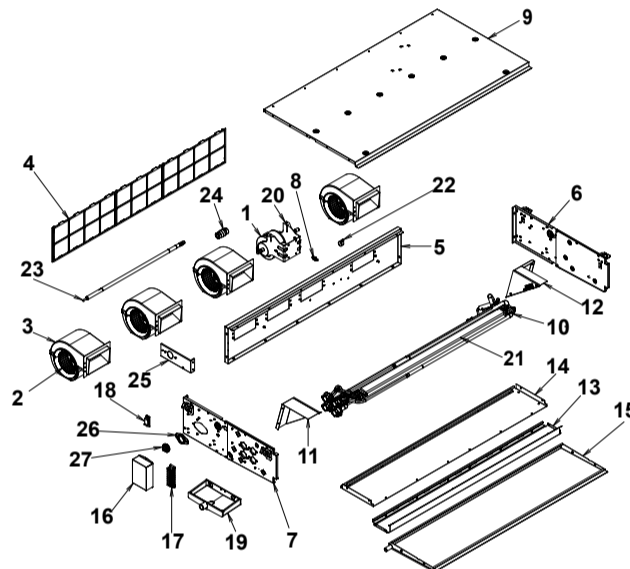
! TÁJÉKOZTATÁS

NE próbálja saját kezűleg szétszedni a rendszert: a készülék szétszerelését, a hűtőközeg, az olaj és egyéb alkatrészek kezelését a vonatkozó jogszabályoknak megfelelően KELL végeznie. A berendezések alkatrészeit és anyagait KIZÁRÓLAG speciális berendezésekkel és üzemekben lehet szétszerelni és újrahasznosításra alkalmassá tenni.

! FIGYELEM

Akadályozza meg, hogy az egységbe kisebb termetű állatok fészkeljék be magukat. Az elektromos alkatrészekre mászó kis élőlények működészavarokat, füstölést vagy tüzet is okozhatnak.

A csavarok eltávolításához használjon megfelelő szerszámot. A termék az alább látható módon szerelhető szét.



FWE-D Újrahasznosítási utasítások listája

Anyagok	Elem
Elektromos alkatrész (ventilátormotor + kondenzátor)	1
Alumínium (borda) + réz (cső) + horganyzott acél (lemez) + bronz	10
Műanyag	2, 18, 8, 22, 27
Műanyag + fém	3, 17, 24
Műanyag (keret) + műanyag (háló)	4
Horganyzott acél	5, 9, 13, 14, 16, 20, 23, 25, 26
Horganyzott acél + műanyaghab	6, 7, 11, 12, 15, 19
Műanyaghab	21

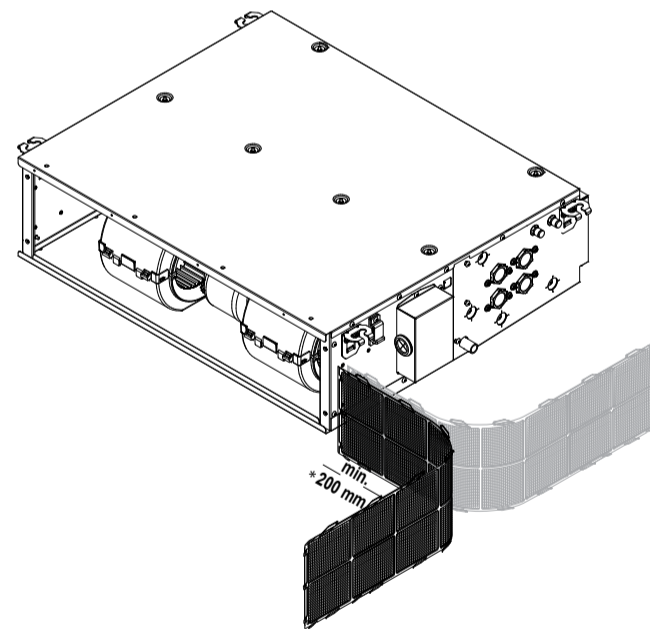
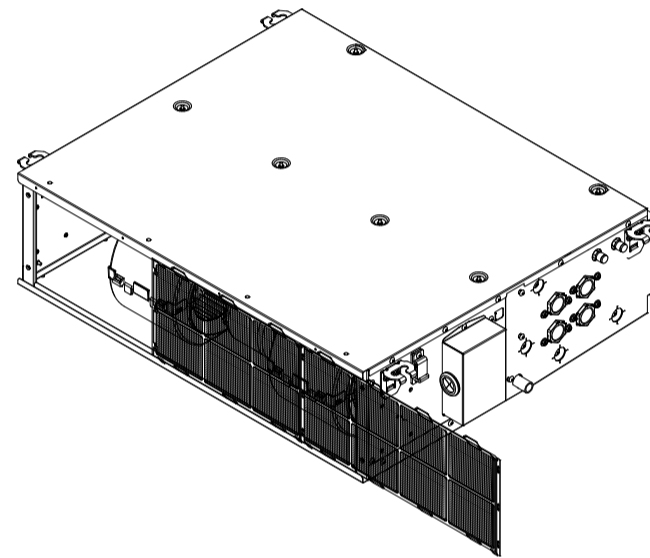
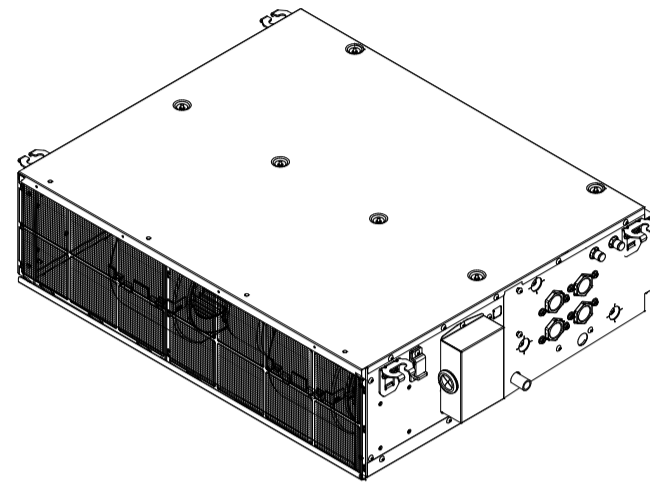
6.2 Beüzemelés előtti ellenőrzőlista

Az egység üzembe helyezése után először ellenőrizze az alább felsoroltakat. Az ellenőrzések elvégzése után az egységet le kell zárni. Lezárás után kapcsolja be az egységet.

<input type="checkbox"/>	Üzembe helyezés Ellenőrizze, hogy a berendezés megfelelően van-e rögzítve, elkerülendő az egység indításakor jelentkező abnormális zajok és vibráció keletkezését.
<input type="checkbox"/>	Vízvezetés Ügyeljen rá, hogy akadálytalan legyen a kondenzvíz elfolyása. Lehetséges következmény: A kondenzvíz csöpöghet.

7 Karbantartás és szerelés

<input type="checkbox"/>	Tápfeszültség Ellenőrizze a tápfeszültséget a helyi áramforráspanelen. A feszültségnek meg KELL egyeznie az egység adattábláján feltüntetett feszültséggel.
<input type="checkbox"/>	Földelés Ellenőrizze, hogy a földelővezetékek megfelelően csatlakoznak-e, és a földcsatlakozók meg vannak-e szorítva.
<input type="checkbox"/>	Biztosítékok, hálózati megszakítók vagy védőberendezések Ellenőrizze, hogy a biztosítékok, a megszakítók vagy a helyben felszerelt védőberendezések értéke és típusa megfelel-e a 185. oldal "4.4 Az elektromos huzalozás előkészítése" fejezetben megadottaknak. Ellenőrizze, hogy nincs-e biztosíték vagy védőberendezés kiiktatva.
<input type="checkbox"/>	Belső huzalozás Szemrevételezéssel ellenőrizze, hogy nincsenek-e az elektromos dobozban és a berendezésben laza csatlakozások vagy sérült elektromos alkatrészek.
<input type="checkbox"/>	Sérült berendezés Ellenőrizze, hogy nincsenek-e az egységben sérült alkatrészek vagy deformált csövek.
<input type="checkbox"/>	Levegőbemenet/-kimenet Ellenőrizze, hogy az egység levegőbemenetét vagy -kimenetét NEM torlaszolja-e el papírok, csomagolóanyag vagy bármi más.



7 Karbantartás és szerelés



TÁJÉKOZTATÁS

A karbantartást a meghatalmazott üzembe helyezőnek vagy szakképzett szerelőnek **KELL** elvégezni.

A karbantartást legalább évente egyszer ajánlott elvégezni. Előfordulhat azonban, hogy a vonatkozó szabályozások rövidebb karbantartási időszakokat írnak elő.

7.1 A levegőszűrő tisztítása

Mikor

- Tisztítsa meg 6 havonta. Ha a helyiség levegője erősen szennyezett, növelje a tisztítás gyakoriságát.
- Ha már nagyon elszennyeződött, akkor ki kell cserélni a levegőszűrőt az opcionális berendezésre.

Hogyan

- 1 Kapcsolja ki a tápellátást.
- 2 A levegőszűrő a termék 2 kijelölt helye közül 1-re szerelhető fel (oldalra vagy alulra). A szűrőt az alább látható módon csúsztassa ki.

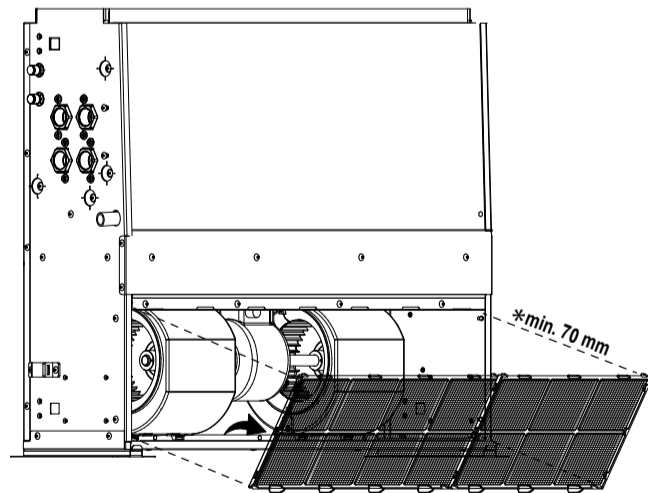
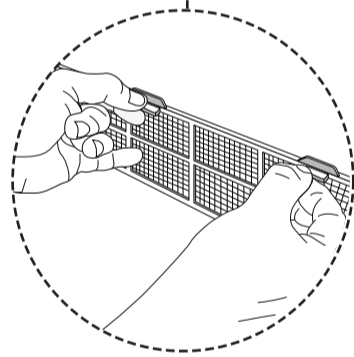
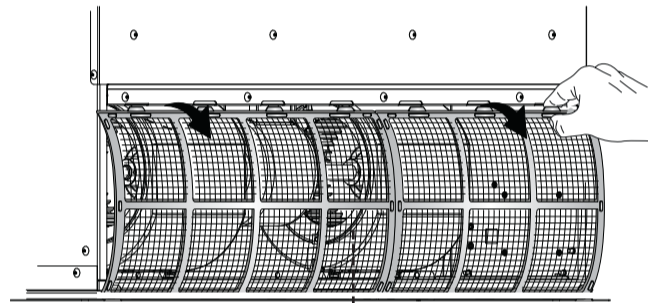
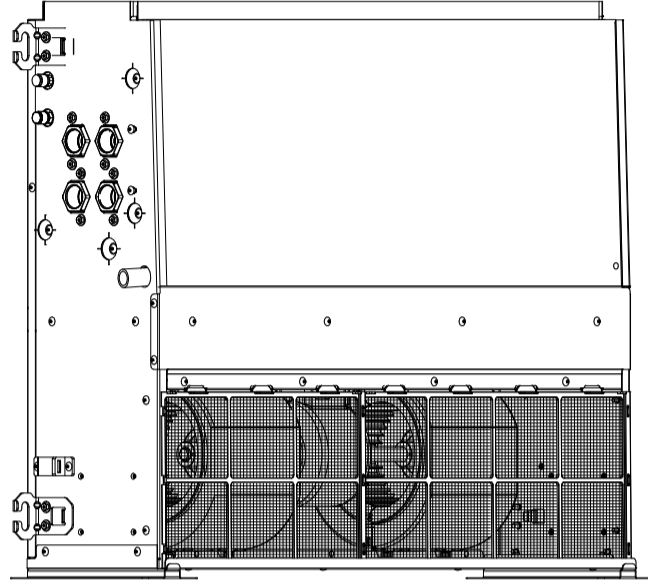
Vízszintes beszerelés

A szűrőt csúsztassa ki.

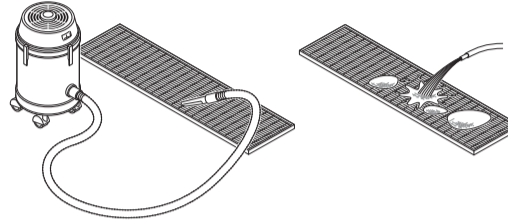
7 Karbantartás és szerelés

Függőleges beszerelés

Nyomja szűrőn található füleket, majd húzza a szűrőt hátra.



- 3 Egy porszívóval vagy vízzel tisztítsa meg a levegőszűrőt. Ha a levegőszűrő nagyon koszos, használjon egy puha kefét vagy semleges tisztítószer.



- 4 Állítsa vissza a levegőszűrőt az eredeti pozíciójába.

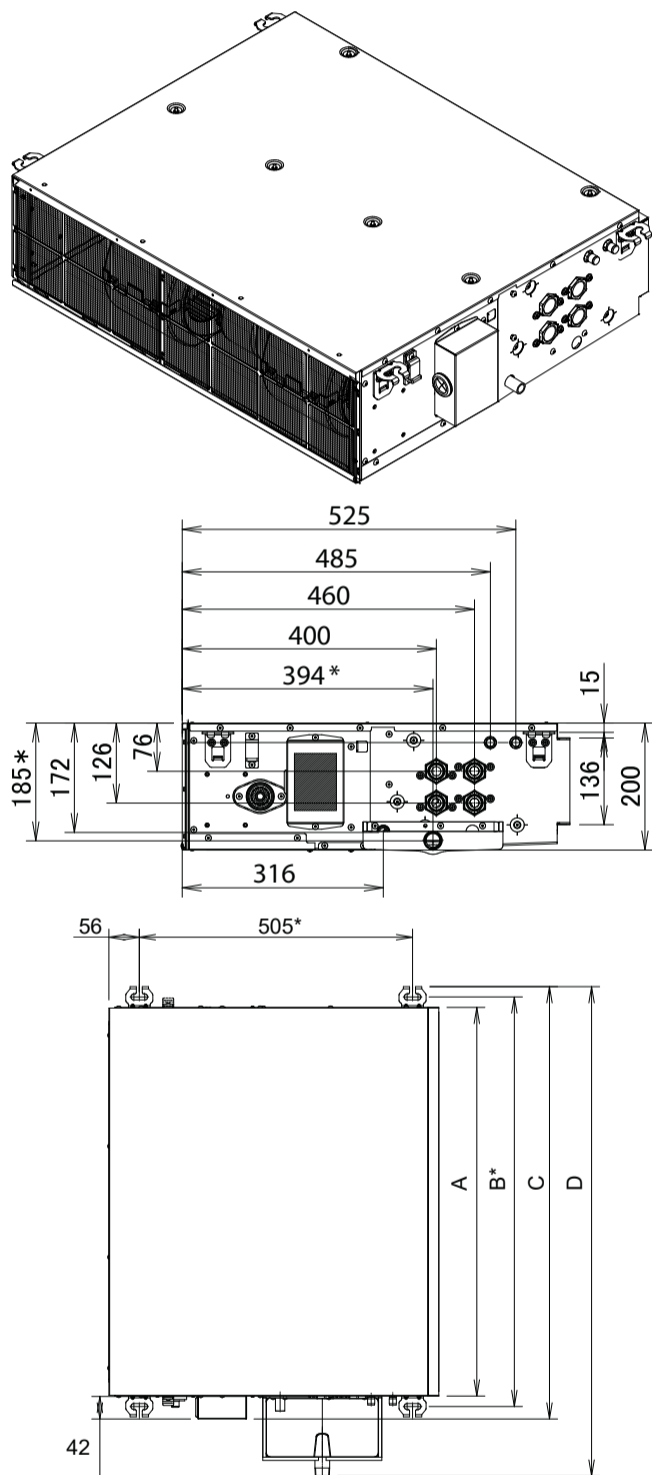
8 Műszaki adatok

8 Műszaki adatok

- A műszaki adatok legújabb verziójának **kiegészítését** a regionális Daikin webhelyen (nyilvánosan hozzáférhető) szerezheti be.
- A műszaki adatok legújabb verziójának **teljes dokumentációját** a Daikin Business Portal (jelszó szükséges) szerezheti be.

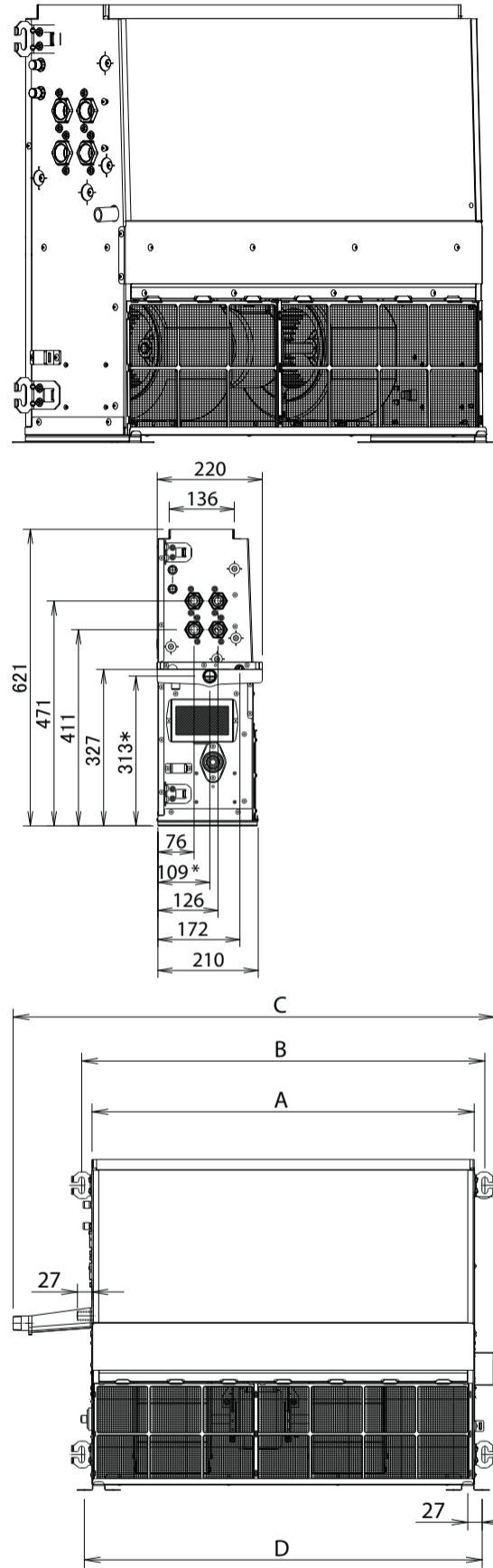
8.1 Méretek

Vízszintes elrendezés



Mértékegység: mm	A	B	C	D
FWE03~05	719	757	799	909
FWE06	919	957	999	1109
FWE07~11	1119	1157	1199	1309

Függőleges elrendezés



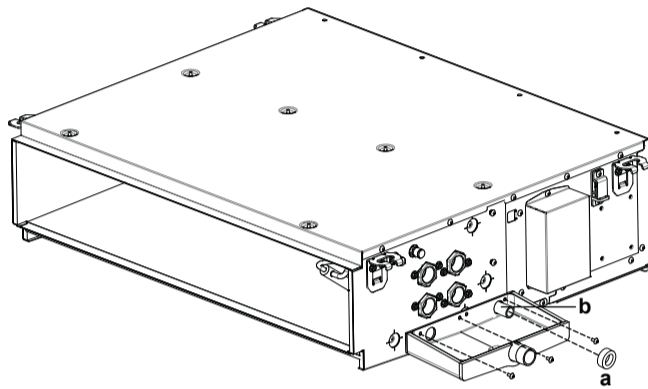
Mértékegység: mm	A	B	C	D
FWE03~05	719	757	909	747
FWE06	919	957	1109	947
FWE07~11	1119	1157	1309	1147

8 Műszaki adatok

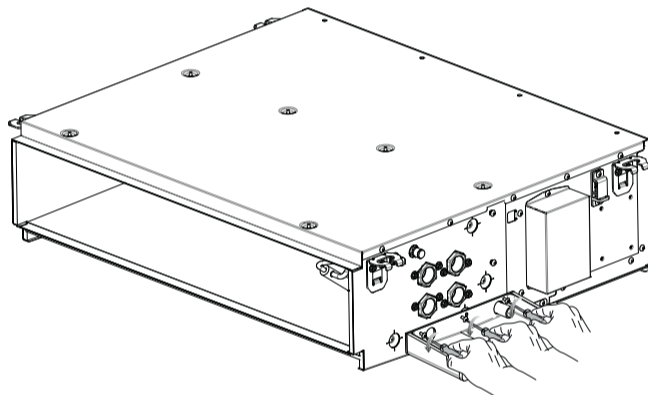
Állítható csepptálca (vízszintes)

⚠ VIGYÁZAT

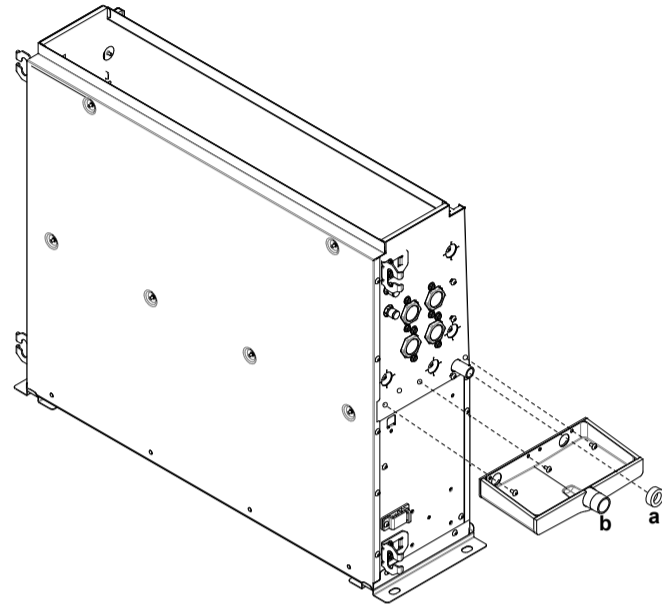
Ügyeljen arra, hogy a kiegészítő csepptálca felszerelése után rögzítse az elvezetőnyílás gumigyűrűjét. Ellenkező esetben a fő egységre vagy a vízcsövekre lecsapódott kondenzvíz, a levegőszűrő vagy a kondenzvíz-elvezetés eltömődése miatt víz csöpöghet a berendezésből, ami kárt tehet az alá tett tárgyban.



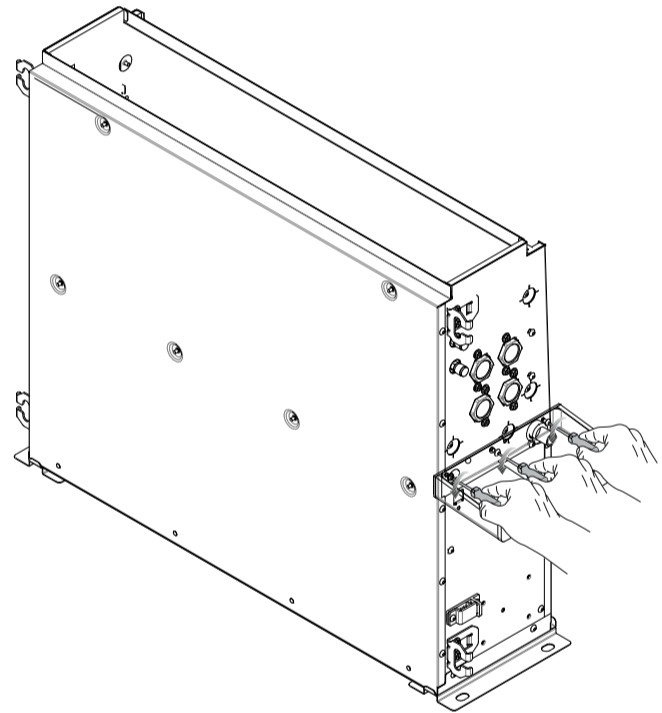
- a Elvezetőnyílás gumigyűrűje
- b Kiegészítő csepptálca



Állítható csepptálca (függőleges)



- a Elvezetőnyílás gumigyűrűje
- b Kiegészítő csepptálca



8 Műszaki adatok

8.2 Huzalozási rajz

Kivezetés

Angol	Fordítás
	Csatlakozás
X1M	Fő kivezetés
-----	Nem tartozék
	PCB
	Védőföldelés
	Föld
	Helyszíni huzalozás

Ventilátormotor kábele

WHT	Fehér
GRN	Zöld
RED	Piros
ORG	Narancssárga
BRN	Barna
YLW	Sárga
BLU	Kék
GRN/YLW	Zöld/sárga
C1	Kondenzátor
F1U	Biztosíték
X1M	Kapocsléc
M	Ventilátor motor

8.3 Környezetbarát tervezéshez szükséges adatok

Az energiacímke – LOT 21 egységadat és a kültéri/beltéri egységek kombinációja alapján végezze el az alábbi lépéseket.

- 1 Nyissa meg az alábbi weboldalt: <https://energylabel.daikin.eu/>
- 2 Válasszon a folytatáshoz:
 - A nemzetközi weboldal megnyitásához válassza a "Continue to Europe" lehetőséget.
 - Az "Other country" lehetőséggel az országspecifikus oldalakra jut el.

Eredmény: A "Szezonális hatékonyság" weboldalra lesz átirányítva.
- 3 Az "Eco Design – Ener LOT 21" címke alatt kattintson a "Generate your label" pontra.

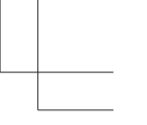
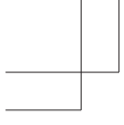
Eredmény: A "Szezonális hatékonyság (LOT 21)" weboldalra lesz átirányítva.
- 4 A megfelelő egység választásához kövesse a weboldalon megjelenő utasításokat.

Eredmény: A választás elvégzését követően a LOT 21 adatlap PDF vagy HTML weboldal formátumban megtekinthető.



INFORMÁCIÓ

Egyéb dokumentumok (pl. kézikönyvek ...) szintén megtekinthetők a tanácsadó weboldalon.



ERC



DAIKIN ISITMA VE SOĞUTMA SİSTEMLERİ SAN.TİC. A.Ş.
Gülsuyu Mahallesi, Fevzi Çakmak Caddesi, Burçak Sokak, No:20, 34848 Maltepe
İSTANBUL / TÜRKİYE
Tel: 0216 453 27 00
Faks: 0216 671 06 00
Çağrı Merkezi: 444 999 0
Web: www.daikin.com.tr

DAIKIN EUROPE N.V.

Zandvoordestraat 300, B-8400 Oostende, Belgium

3P443944-5E 2019.09

Copyright 2019 Daikin

